



(12) **United States Design Patent**  
**Bodum**

(10) **Patent No.:** **US D949,620 S**  
(45) **Date of Patent:** **\*\* Apr. 26, 2022**

- (54) **GRILL**
- (71) Applicant: **PI-Design AG**, Triengen (CH)
- (72) Inventor: **Jorgen Bodum**, Meggen (CH)
- (73) Assignee: **PI-DESIGN AG**, Triengen (CH)
- (\*\*) Term: **15 Years**
- (21) Appl. No.: **29/732,786**
- (22) Filed: **Apr. 28, 2020**

D824,199 S \* 7/2018 Liu ..... D7/352  
 D831,406 S \* 10/2018 Corlay ..... D7/352  
 D853,172 S \* 7/2019 De' Longhi ..... D7/352  
 2005/0139086 A1\* 6/2005 McHutchison ..... A47J 37/0611  
 99/389

(Continued)

**FOREIGN PATENT DOCUMENTS**

CN 306037712 \* 9/2020  
 CN 306037713 \* 9/2020

(Continued)

**OTHER PUBLICATIONS**

Ovente Electric Indoor Panini Press Grill [online] URL: <https://www.walmart.com/ip/Ovente-Electric-Indoor-Panini-Press-Grill-Non-Stick-Double-Flat-Cooking-Plate-Removable-Drip-Tray-Countertop-Sandwich-Maker-Toaster-Easy-Storage-Clea/388327472> (site visited: Nov. 2, 2021) (Year: 2020).\*

(Continued)

*Primary Examiner* — Jae Liang  
*Assistant Examiner* — Tia Ruth-Renee Polidori  
 (74) *Attorney, Agent, or Firm* — McDonnell Boehnen Hulbert & Berghoff LLP

(57) **CLAIM**

The ornamental design for a grill, as shown and described.

**DESCRIPTION**

FIG. 1 is a perspective view of a grill showing my new design;  
 FIG. 2 is a front view thereof;  
 FIG. 3 is a rear view thereof;  
 FIG. 4 is a left side view thereof;  
 FIG. 5 is a right side view thereof;  
 FIG. 6 is a top view thereof; and,  
 FIG. 7 is a bottom view thereof.  
 The broken lines in the drawings depict portions of the grill that form no part of the claimed design.

**1 Claim, 7 Drawing Sheets**

(30) **Foreign Application Priority Data**

Dec. 30, 2019 (WO) ..... WIPO90705

(51) **LOC (13) CI.** ..... **07-02**

(52) **U.S. CI.**

USPC ..... **D7/337; D7/352**

(58) **Field of Classification Search**

USPC ..... D23/314, 332, 335, 339, 343, 345;  
 D7/323, 332, 334, 339, 347, 362, 363,  
 D7/387, 402, 403, 405, 408, 409, 352;  
 D8/315

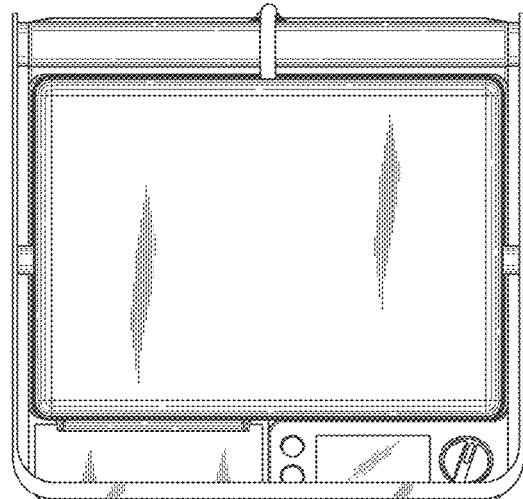
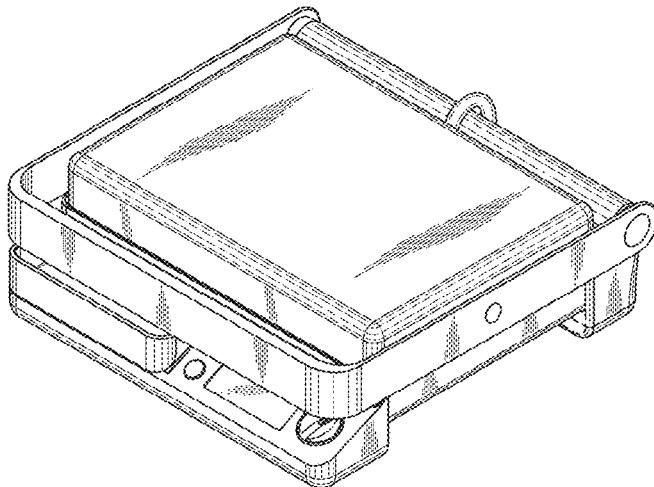
CPC ..... A47J 2202/00; A47J 27/00; A47J 36/00;  
 A47J 36/26; A47J 37/00; A47J 37/04;  
 A47J 37/0623; A47J 37/0647; A47J  
 37/07; A47J 37/0704; A47J 37/06; A47J  
 37/0611; F24B 1/00; F24B 3/00; F24C  
 1/00; F24C 15/36; F24C 3/002; F24C  
 3/022

See application file for complete search history.

(56) **References Cited**

**U.S. PATENT DOCUMENTS**

D213,931 S \* 4/1969 Bardeau ..... D7/352  
 D232,012 S \* 7/1974 Bardeau ..... D7/352  
 6,615,706 B1\* 9/2003 Wu ..... A47J 37/0611  
 99/331  
 D622,538 S \* 8/2010 Hoare ..... D7/352  
 D632,126 S \* 2/2011 Tetreault ..... D7/352  
 D811,155 S \* 2/2018 De' Longhi ..... D7/352



(56)

References Cited

U.S. PATENT DOCUMENTS

2007/0017384 A1\* 1/2007 Serra ..... A47J 37/0611  
99/372

2008/0257170 A1\* 10/2008 Ho ..... A47J 37/0611  
99/378

2008/0307976 A1\* 12/2008 Lin ..... A47J 37/0611  
99/337

2009/0145418 A1\* 6/2009 Lee ..... A47J 37/0611  
126/20

2009/0223381 A1\* 9/2009 Liu ..... A47J 37/0611  
99/372

2009/0308260 A1\* 12/2009 Trost ..... A47J 37/0611  
99/349

2010/0275788 A1\* 11/2010 Wu ..... A47J 37/0611  
99/377

2010/0319550 A1\* 12/2010 Wu ..... A47J 37/0611  
99/380

2012/0137895 A1\* 6/2012 Chen ..... A47J 37/0611  
99/351

2012/0152126 A1\* 6/2012 Robinson ..... A47J 37/0611  
99/331

2013/0152802 A1\* 6/2013 Li ..... A47J 37/0611  
99/425

2014/0033931 A1\* 2/2014 Chen ..... A47J 37/0611  
99/351

2014/0165850 A1\* 6/2014 Smith ..... B23P 11/00  
99/390

2014/0305317 A1\* 10/2014 Zheng ..... A47J 37/0611  
99/372

2014/0352553 A1\* 12/2014 Guckenberger ..... A47J 37/0611  
99/390

2015/0033953 A1\* 2/2015 Fung ..... A47J 37/0611  
99/377

2015/0144007 A1\* 5/2015 Li ..... A47J 37/0611  
99/372

2015/0230659 A1\* 8/2015 Hoare ..... A47J 37/0611  
99/375

2015/0257592 A1\* 9/2015 Garman ..... A47J 37/0611  
219/450.1

2016/0015212 A1\* 1/2016 Yang ..... A47J 37/0611  
99/379

2016/0206148 A1\* 7/2016 Sawhney ..... A47J 37/0611

2017/0215639 A1\* 8/2017 Chang ..... A47J 37/041

2017/0290101 A1\* 10/2017 Hawkins ..... H05B 3/68

2018/0020872 A1\* 1/2018 Chen ..... A47J 37/0611  
99/372

2018/0353006 A1\* 12/2018 Yan ..... A47J 37/0611

2019/0183287 A1\* 6/2019 Yang ..... A47J 37/0676

2019/0200803 A1\* 7/2019 Chuang ..... A47J 37/0676

2019/0208945 A1\* 7/2019 Meier ..... A23L 27/00

2020/0069112 A1\* 3/2020 Buening ..... A47J 27/002

FOREIGN PATENT DOCUMENTS

GB 8205564000-1000 \* 12/2019

GB 8205564000-2000 \* 12/2019

JP D1673059 \* 11/2020

JP D1673075 \* 11/2020

JP D1673076 \* 11/2020

KR 3010926360002 \* 1/2021

RU 00124152 \* 3/2021

WO WOD202673-001 \* 1/2020

WO WOD205564-001 \* 7/2020

WO WOD205564-002 \* 7/2020

OTHER PUBLICATIONS

China New Dual Serving Nonstick Electric Grill, Panini Press Grill [online] URL: <https://heater-aircooler.en.made-in-china.com/product/jsaQCgyKGdcb/China-New-Dual-Serving-Nonstick-Electric-Grill-Panini-Press-Grill-Sandwich-Maker.html> (site visited: Nov. 2, 2021) (Year: 2021).\*

Total Package 6-in-1 Grill—Yedi Houseware Appliances [online] URL: <https://www.yedihousewareappliances.com/shop/total-package-6-in-1-grill-waffle-maker-griddle-panini-press-with-deluxeaccessory-kit> (site visited: Nov. 2, 2021) (Year: 2021).\*

PI-Design AG, U.S. Appl. No. 29/732,785, filed Apr. 28, 2020.

Office Action for U.S. Appl. No. 29/732,785, dated Nov. 8, 2021.

\* cited by examiner

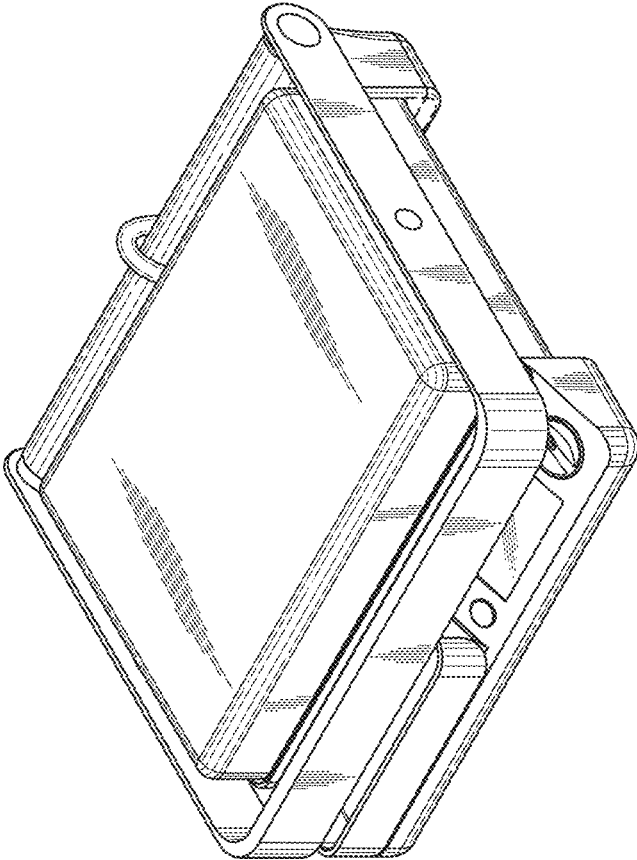


FIG. 1

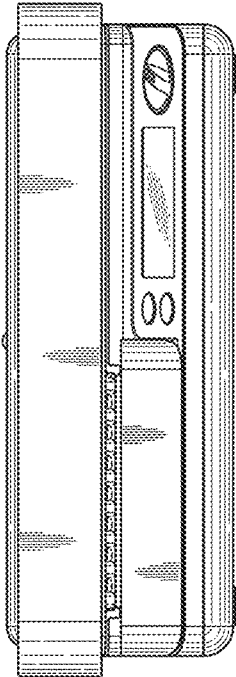


FIG. 2

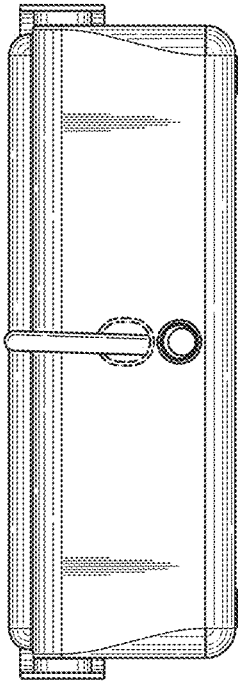


FIG. 3

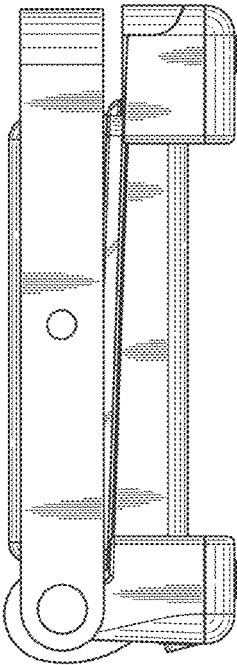


FIG. 4

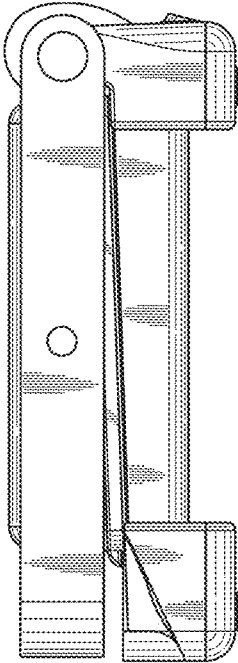


FIG. 5

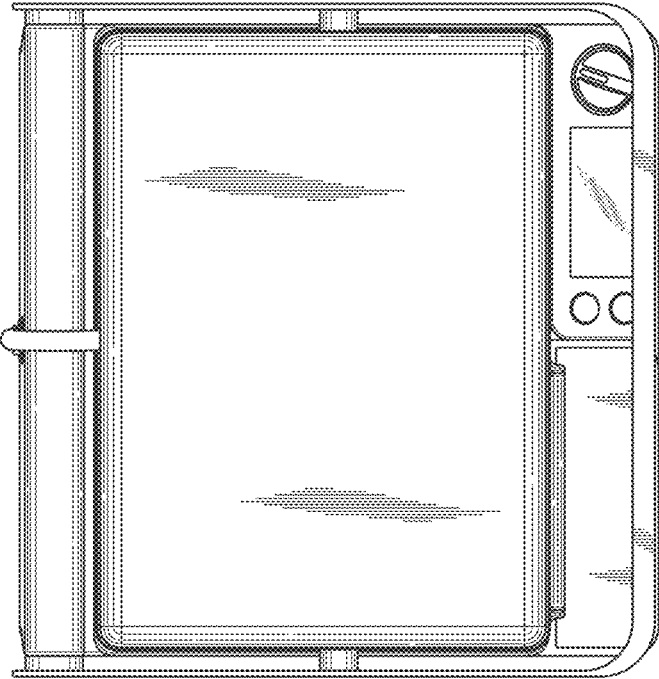


FIG. 6



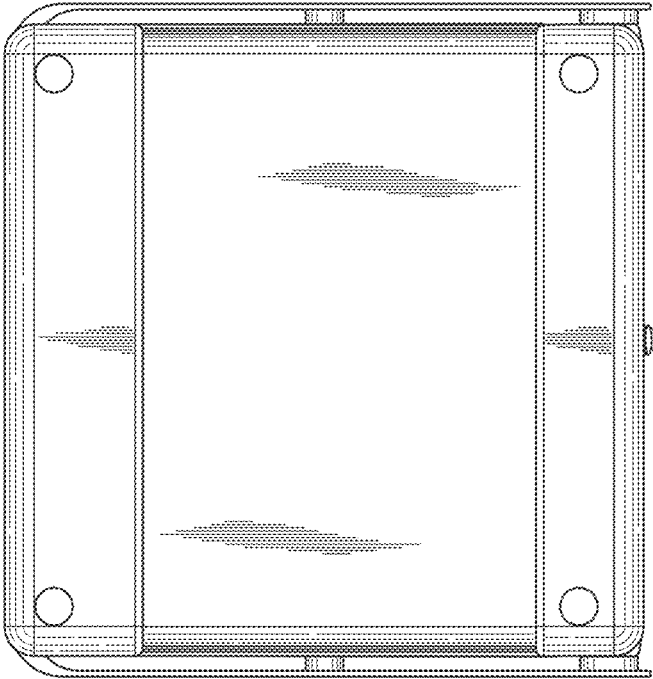


FIG. 7