



US00D660920S

(12) **United States Design Patent**
Johnson et al.

(10) **Patent No.:** **US D660,920 S**

(45) **Date of Patent:** **** May 29, 2012**

(54) **TOY WATER GUN**

(75) Inventors: **Drew A. Johnson**, Providence, RI (US);
Brian Marc Jarvis, Providence, RI (US)

(73) Assignee: **Hasbro, Inc.**, Pawtucket, RI (US)

(**) Term: **14 Years**

(21) Appl. No.: **29/378,851**

(22) Filed: **Nov. 10, 2010**

(51) **LOC (9) Cl.** **21-01**

(52) **U.S. Cl.** **D21/572; D21/573**

(58) **Field of Classification Search** D21/333,
D21/401, 461, 567, 568, 570-575; D14/418;
D22/100, 101, 103, 104, 105, 108-110; 124/16,
124/26, 27, 28, 29, 54, 73-77; 222/78, 79;
42/54, 57, 58; 446/23, 182, 192, 401, 403,
446/405-407, 473, 475

See application file for complete search history.

7,032,837 B2	4/2006	Eddins et al.	
D542,877 S *	5/2007	Murello et al.	D22/103
7,287,526 B1	10/2007	Bligh et al.	
D557,355 S *	12/2007	Higuchi et al.	D21/572
7,418,797 B1	9/2008	Crose	
7,437,847 B1	10/2008	Mabry	
D588,212 S *	3/2009	Stadlbauer	D21/572
D588,652 S *	3/2009	Stadlbauer	D21/572
7,552,557 B1	6/2009	Mabry	
D606,614 S *	12/2009	Fitzpatrick et al.	D22/103
7,673,624 B2	3/2010	Rosella, Jr.	
D635,619 S *	4/2011	Nadel	D21/573
D638,887 S *	5/2011	En	D21/573
D639,352 S *	6/2011	Chan	D21/572
D648,811 S *	11/2011	En	D21/573
2006/0242880 A1	11/2006	Griffin	

* cited by examiner

Primary Examiner — Cynthia M Chin

(74) *Attorney, Agent, or Firm* — Perry Hoffman

(57) **CLAIM**

The ornamental design for a toy water gun, as shown and described.

(56) **References Cited**

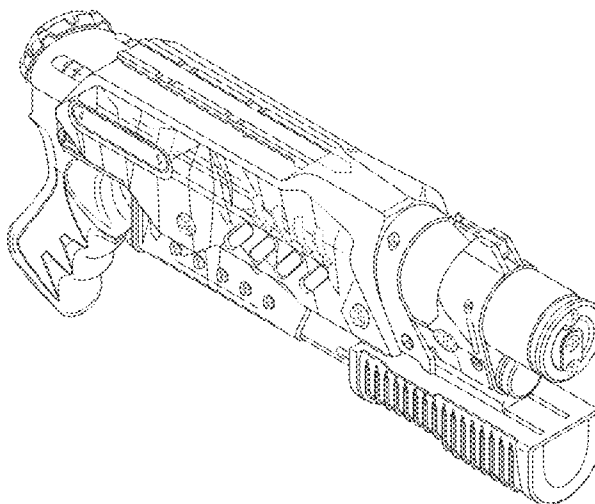
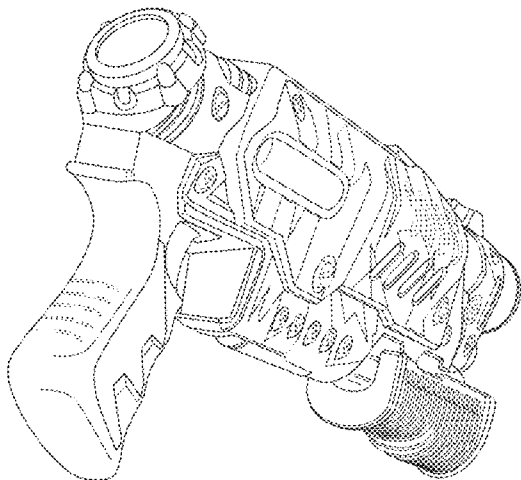
U.S. PATENT DOCUMENTS

961,511 A	6/1910	Marble	
1,374,757 A	4/1921	Napier	
3,968,783 A	7/1976	Pfotenhauer	
4,170,215 A	10/1979	Kettlestrings	
4,248,202 A	2/1981	Jaworski et al.	
4,659,320 A	4/1987	Rich et al.	
5,471,967 A	12/1995	Matsuzaki et al.	
5,529,050 A	6/1996	D'Andrade	
5,611,322 A	3/1997	Matsuzaki et al.	
5,996,564 A	12/1999	Kotowski	
D441,039 S *	4/2001	Greenberg et al.	D21/572
6,224,457 B1	5/2001	Wu	
6,598,329 B1	7/2003	Alexander	
6,733,356 B2	5/2004	Lee	
D516,660 S *	3/2006	Murello et al.	D22/103
D517,152 S *	3/2006	Murello et al.	D22/103

DESCRIPTION

FIG. 1 is a rear-side perspective view of the toy water gun of the instant invention;
FIG. 2 is side-front perspective view thereof;
FIG. 3 is a front view thereof;
FIG. 4 is a rear view thereof;
FIG. 5 is a top view thereof;
FIG. 6 is a bottom view thereof;
FIG. 7 is a right side elevational view thereof; and,
FIG. 8 is a left side elevational view thereof.
The broken lines shown are included for the purpose of illustrating the unclaimed portions of the article that form no part of the claimed design.

1 Claim, 6 Drawing Sheets



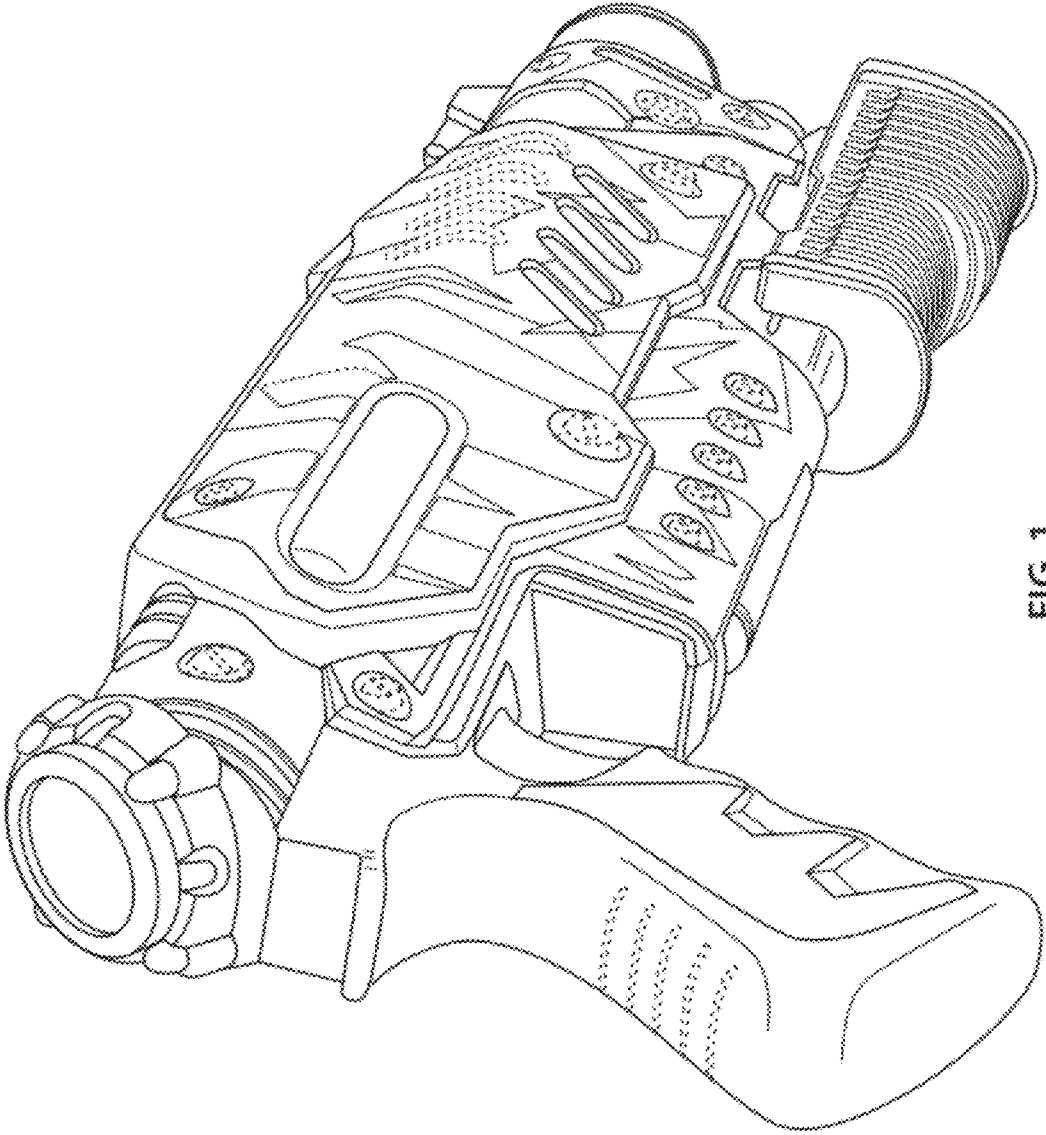


FIG. 1

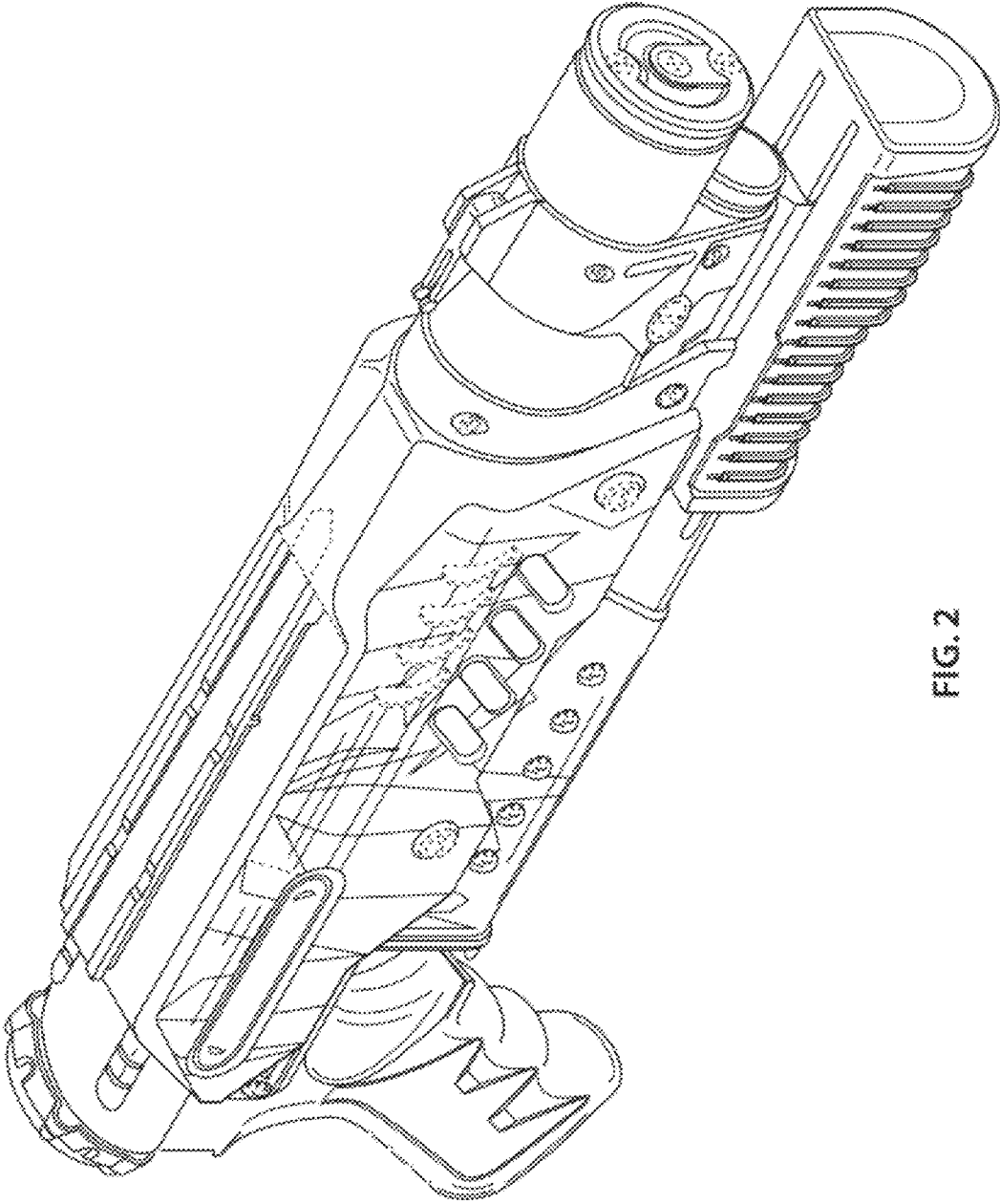


FIG. 2

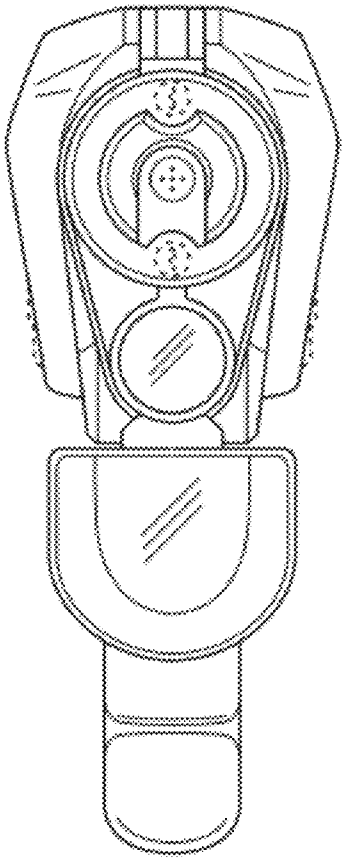


FIG. 3

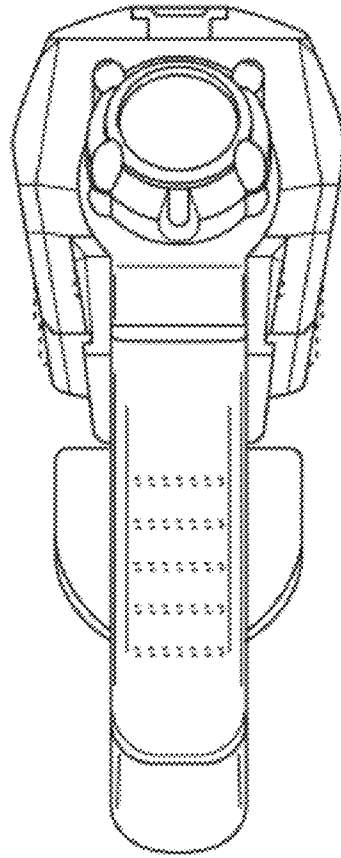


FIG. 4

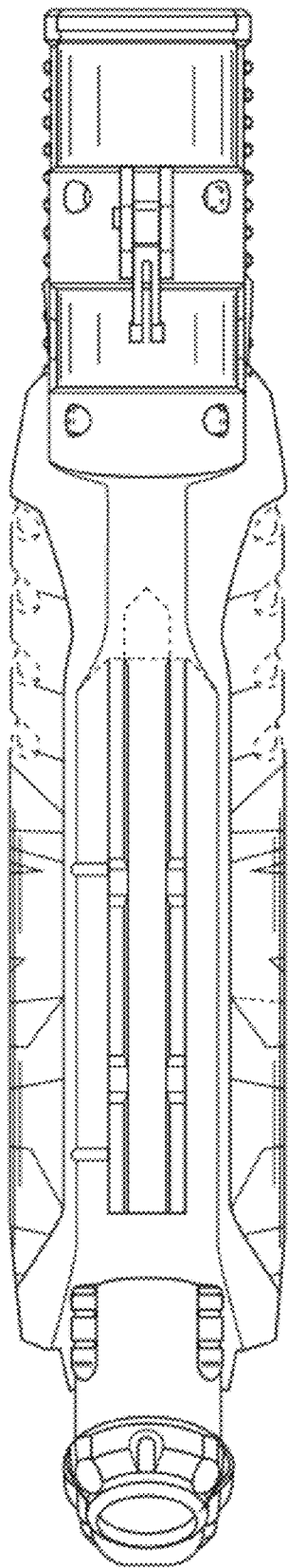


FIG. 5

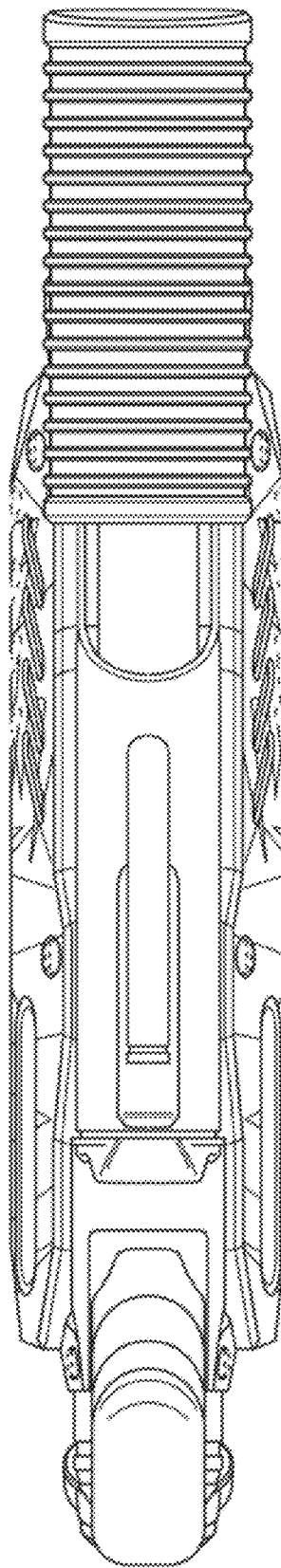


FIG. 6

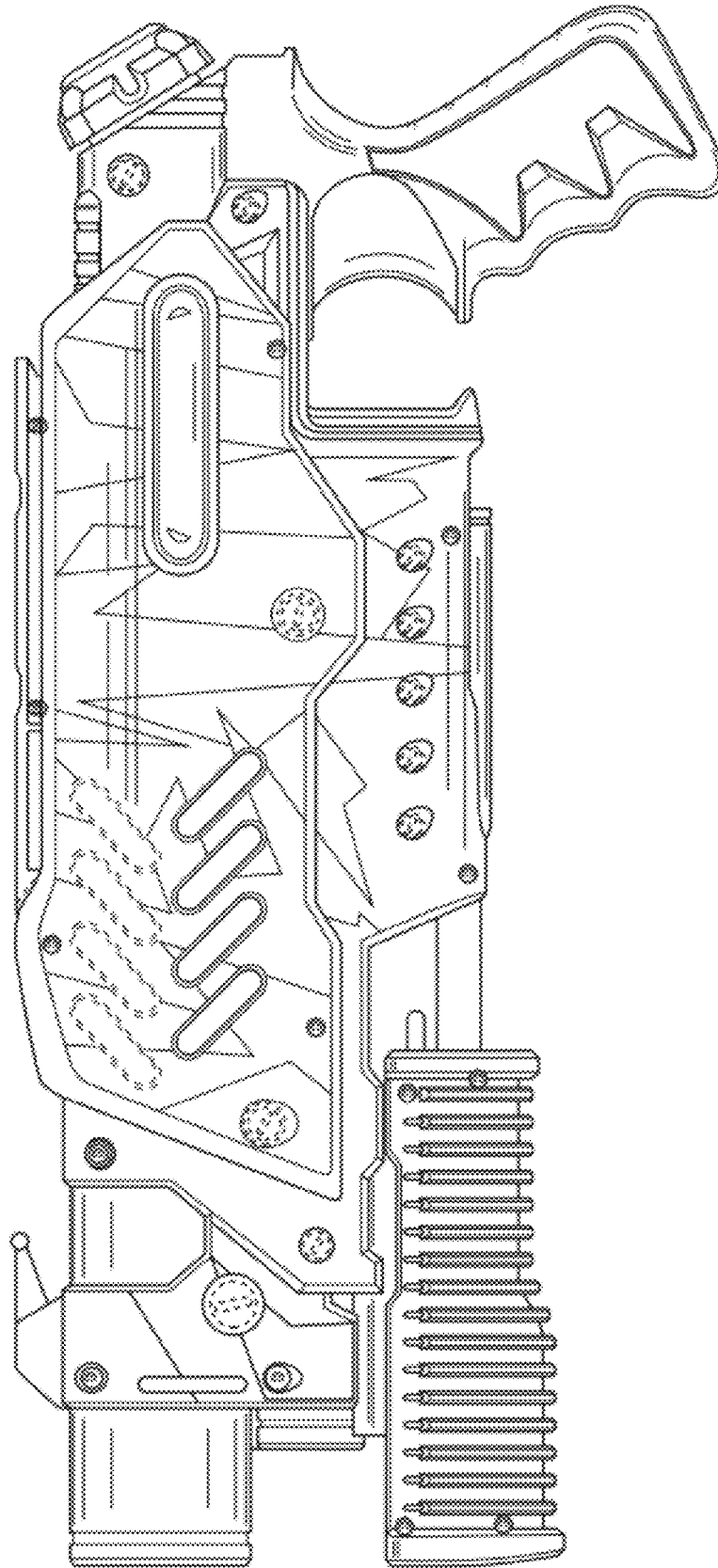


FIG. 7

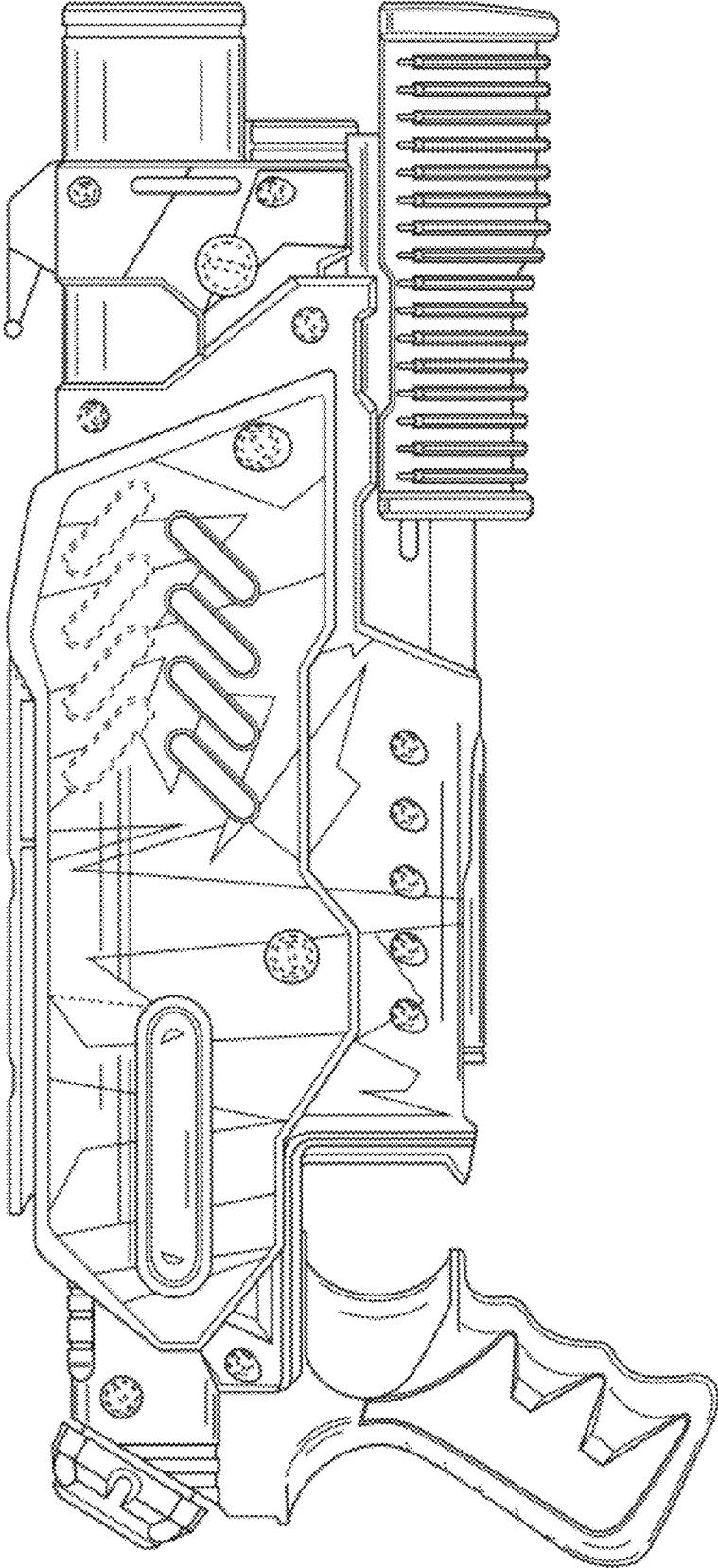


FIG. 8