



US00D453830S

(12) **United States Design Patent** (10) **Patent No.:** **US D453,830 S**
McDowell et al. (45) **Date of Patent:** **** Feb. 19, 2002**

(54) **INFUSION PUMP**

FOREIGN PATENT DOCUMENTS

(75) Inventors: **Douglas J. McDowell**, Erie; **L. Dean Stansbury**, Wheat Ridge; **Jerome M. Keane**, Louisville; **Andrew N. Lamborne**, Denver, all of CO (US)

FR	1156298	5/1958
FR	2 561 925	10/1985
WO	WO 91/06338	5/1991
WO	WO 91/08002	6/1991
WO	WO 91/16093	10/1991

(73) Assignee: **McKinley Medical L.L.L.P.**, Wheat Ridge, CO (US)

Primary Examiner—Ian Simmons

(**) Term: **14 Years**

(74) *Attorney, Agent, or Firm*—Dorr, Carson, Sloan & Birney, P.C.

(21) Appl. No.: **29/142,273**

(57) **CLAIM**

(22) Filed: **May 21, 2001**

The ornamental design for an infusion pump, as shown and described.

(51) **LOC (7) Cl.** **24-02**

(52) **U.S. Cl.** **D24/111; D24/108**

(58) **Field of Search** D24/111, 108, D24/121; 604/207, 212, 218, 224, 131, 151, 152, 135, 134; 417/477.12, 477.7, 478, 473, 460, 467, 472

DESCRIPTION

FIG. 1 is a top perspective view of an infusion pump showing our new design.

FIG. 2 is a bottom perspective view thereof.

FIG. 3 is a left side elevational view thereof, with the right side elevational view being a mirror image of FIG. 3.

FIG. 4 is a front elevational view thereof.

FIG. 5 is a rear elevational view thereof.

FIG. 6 is a top plan view thereof; and,

FIG. 7 is a bottom plan view thereof.

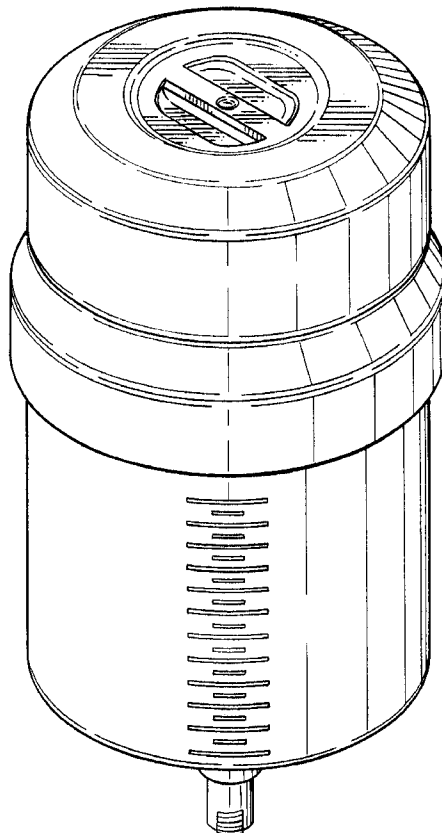
(56) **References Cited**

U.S. PATENT DOCUMENTS

1,123,990	A	1/1915	Calhoun
1,476,946	A	12/1923	Bessesen
2,428,577	A	10/1947	Mathis
2,605,765	A	8/1952	Kollsmann
2,792,834	A	5/1957	Kapelsohn

(List continued on next page.)

1 Claim, 6 Drawing Sheets



US D453,830 S

Page 2

U.S. PATENT DOCUMENTS								
3,492,876	A	2/1970	Bull et al.	5,059,174	A	10/1991	Vaillancourt	
3,565,292	A	2/1971	Jinotti	5,062,834	A	11/1991	Gross et al.	
3,863,624	A	2/1975	Gram	5,078,679	A	1/1992	Reese	
4,036,232	A	7/1977	Genese	5,098,385	A	3/1992	Walsh	
4,050,459	A	9/1977	Sanchez	5,100,389	A	3/1992	Vaillancourt	
4,180,067	A	12/1979	Derlien	5,135,500	A	8/1992	Zdeb	
4,312,347	A	1/1982	Magoon et al.	5,178,609	A	1/1993	Ishikawa	
4,381,006	A	4/1983	Genese	D339,193	S	* 9/1993	Thompson et al.	D24/111
4,456,152	A	6/1984	Young et al.	5,290,259	A	3/1994	Fischer	
4,467,942	A	8/1984	Oshikubo	5,318,544	A	6/1994	Drypen et al.	
4,561,856	A	12/1985	Cochran	5,346,476	A	9/1994	Elson	
4,666,430	A	5/1987	Brown et al.	5,360,411	A	11/1994	Mimura et al.	
4,676,256	A	6/1987	Golden	5,411,485	A	5/1995	Tennican et al.	
4,765,509	A	8/1988	Eisenhut et al.	D361,379	S	* 8/1995	Sancoff et al.	D24/111
4,773,900	A	9/1988	Cochran	5,454,792	A	10/1995	Tennican et al.	
4,813,937	A	3/1989	Vaillancourt	RE35,192	E	3/1996	Reese	
4,832,694	A	5/1989	Raphael, III et al.	5,569,236	A	10/1996	Kriesel	
4,874,386	A	10/1989	O'Boyle	5,599,315	A	2/1997	McPhee	
4,962,868	A	10/1990	Borchard	5,607,395	A	3/1997	Ragsdale et al.	
4,966,585	A	10/1990	Gangemi	6,019,747	A	* 2/2000	McPhee	604/136
4,991,742	A	2/1991	Chang	6,083,201	A	* 7/2000	Skinkle	604/151
4,997,420	A	3/1991	LeFevre	D430,288	S	* 8/2000	Mason et al.	D24/111
5,024,661	A	6/1991	Wender et al.					

* cited by examiner

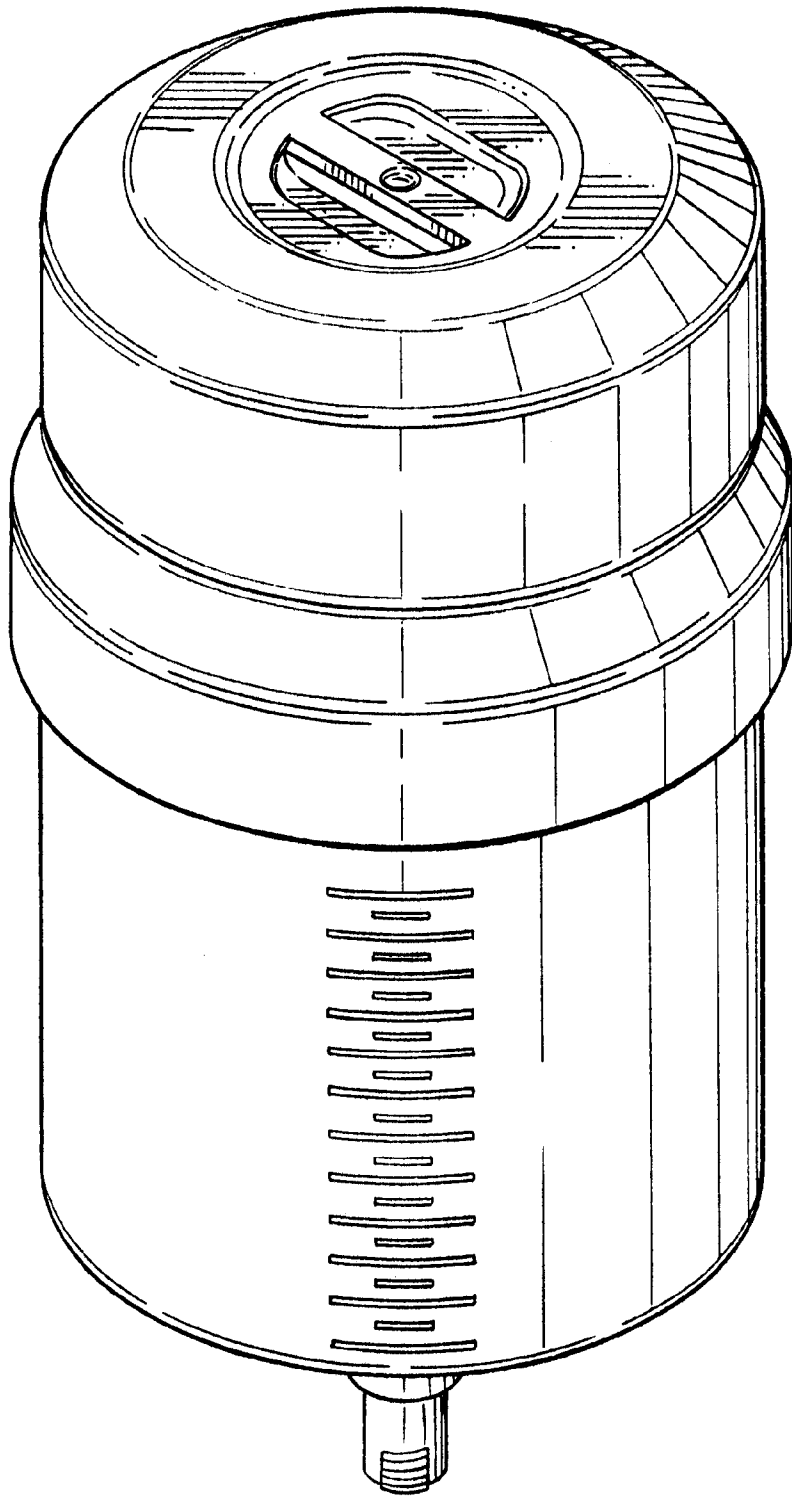


Fig. 1

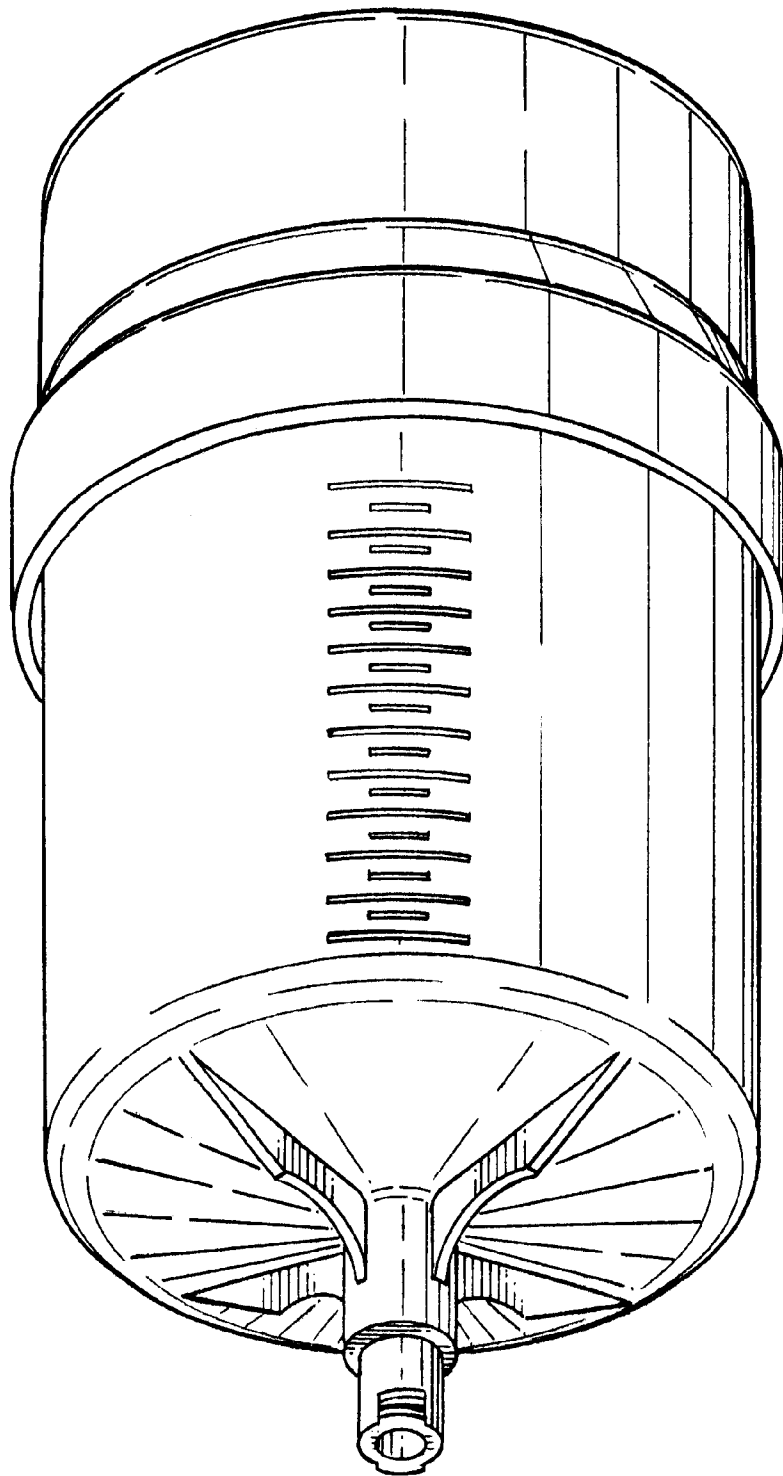


Fig. 2

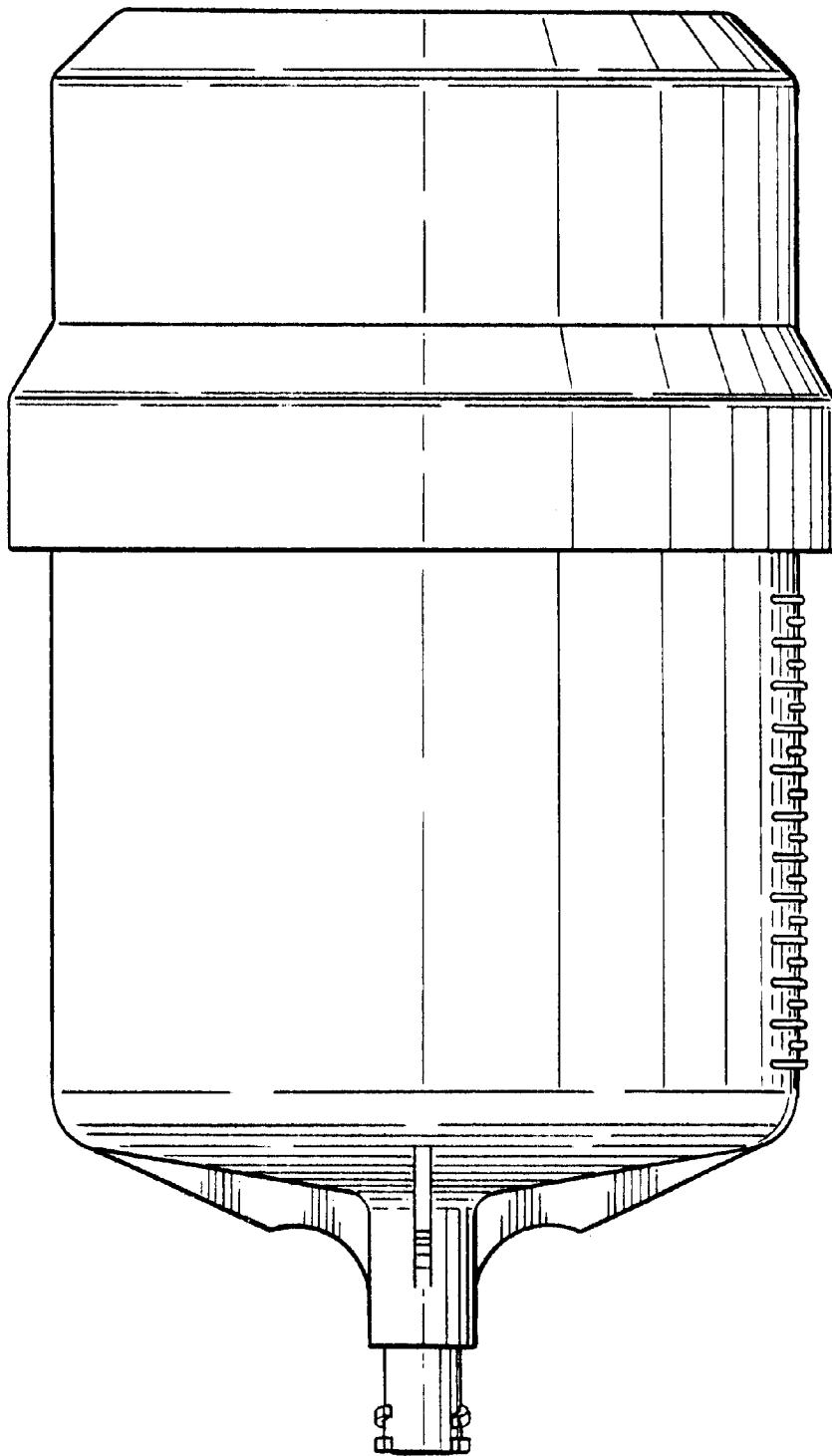


Fig. 3

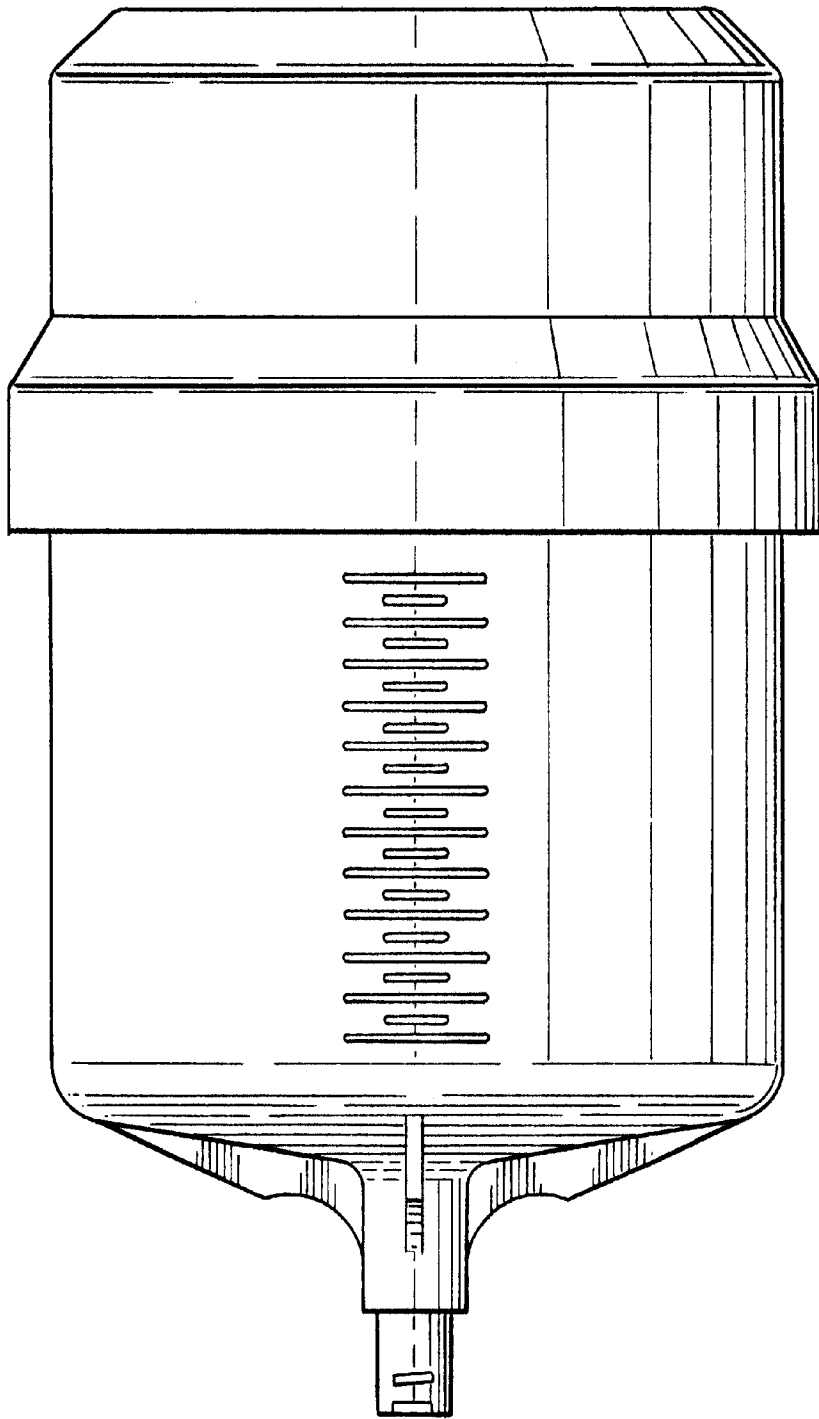


Fig. 4

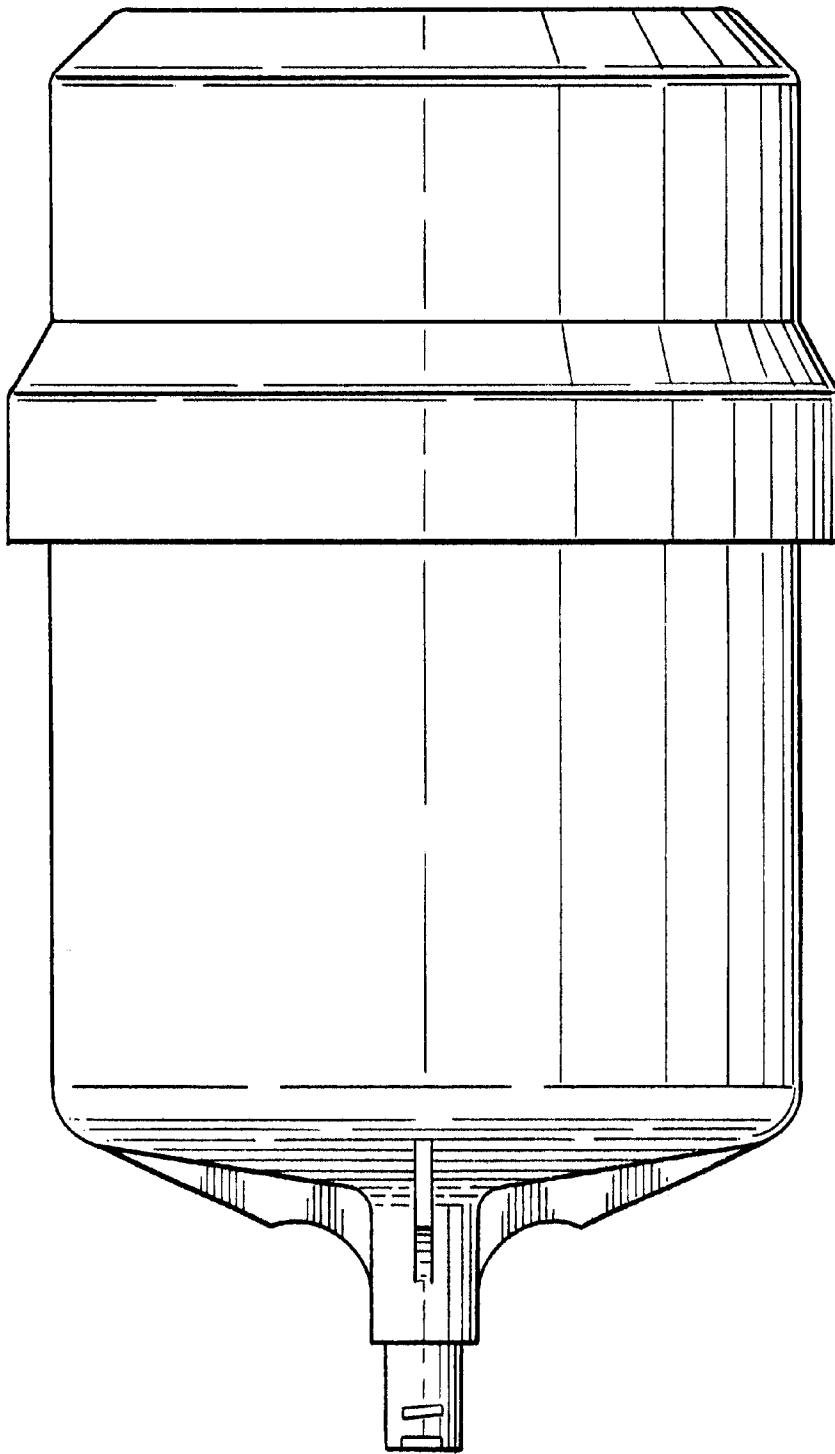


Fig. 5

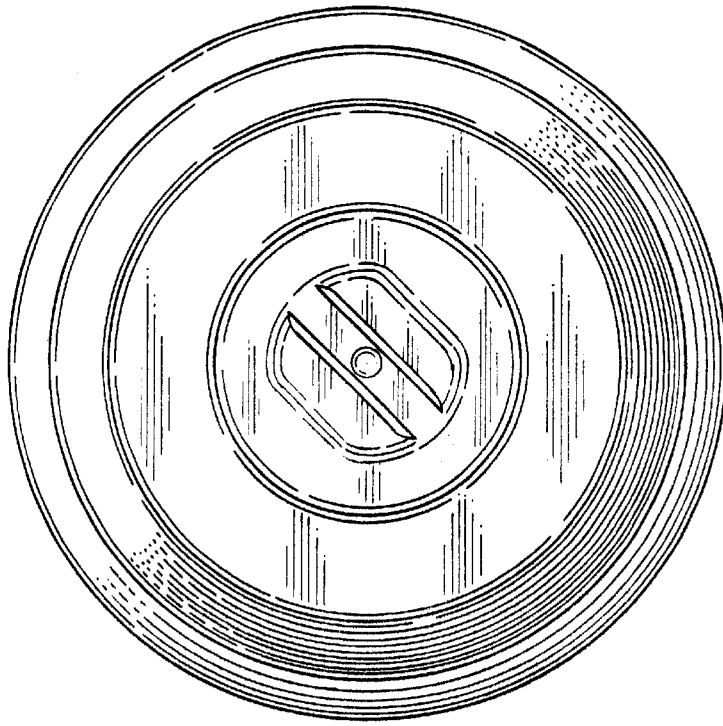


Fig. 6

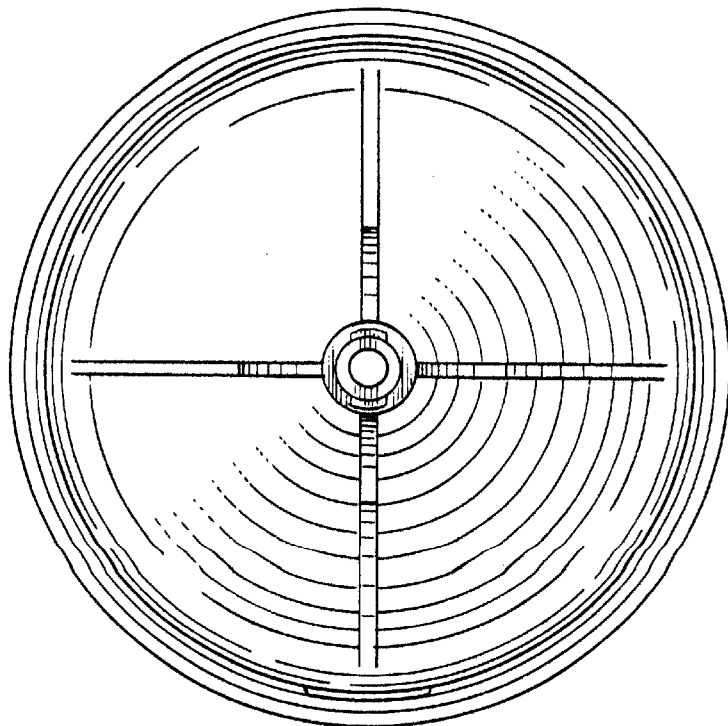


Fig. 7