



US00D901107S

(12) **United States Design Patent**
Kim et al.

(10) **Patent No.:** **US D901,107 S**

(45) **Date of Patent:** **** Nov. 3, 2020**

(54) **WASHING MACHINE**

D575,012 S * 8/2008 Rossetto D32/6
D620,656 S * 7/2010 Bixby D32/25
D632,033 S * 2/2011 Song D32/6

(71) Applicant: **Samsung Electronics Co., Ltd.**,
Suwon-si (KR)

(Continued)

(72) Inventors: **Youngjin Kim**, Suwon-si (KR); **Dongju Shin**, Suwon-si (KR); **Junghoon Hwang**, Suwon-si (KR); **Jungeun Park**, Suwon-si (KR); **Yunho Yang**, Suwon-si (KR); **Jaewon Choi**, Suwon-si (KR); **Hyunwoo Yoon**, Suwon-si (KR)

FOREIGN PATENT DOCUMENTS

CN 201730333849.5 3/2018
CN 304848815 * 10/2018

(Continued)

(73) Assignee: **Samsung Electronics Co., Ltd.**,
Suwon-si (KR)

OTHER PUBLICATIONS

Samsung 5.0 Cu. Ft. 10-Cycle Top-Loading Washer, Best Buy website 2020, no reviews, <https://www.bestbuy.com/site/samsung-5-0-cu-ft-10-cycle-top-loading-washer-with-active-...> site visited Jun. 8, 2020.*

(Continued)

(**) Term: **15 Years**

Primary Examiner — John R Yeh
(74) *Attorney, Agent, or Firm* — NSIP Law

(21) Appl. No.: **29/696,021**

(57) **CLAIM**

(22) Filed: **Jun. 25, 2019**

We claim the ornamental design for a washing machine, as shown and described.

(30) **Foreign Application Priority Data**

DESCRIPTION

Dec. 28, 2018 (KR) 30-2018-0062430

(51) **LOC (12) Cl.** **15-05**

(52) **U.S. Cl.**
USPC **D32/6**

(58) **Field of Classification Search**
USPC D32/2-3, 5-7, 12-13, 25-29.1
CPC A47L 15/42; A47L 15/00; B65D 47/06;
D06F 23/06; D06F 37/26
See application file for complete search history.

FIG. 1 is a front perspective view of a washing machine showing our new design;
FIG. 2 is a front view thereof;
FIG. 3 is a rear view thereof;
FIG. 4 is a left-side view thereof;
FIG. 5 is a right-side view thereof;
FIG. 6 is a top view thereof; and,
FIG. 7 is a bottom view thereof.

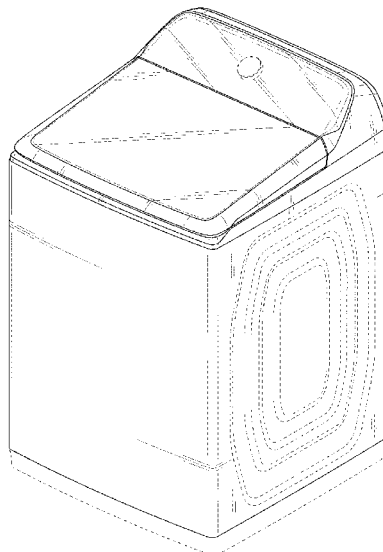
The broken lines immediately adjacent to the shaded areas depict the bounds of the claimed design and form no part of the claimed design, while all other broken lines depict environment and form no part of the claimed design. In addition, the unshaded surface that directly adjoins the claimed solid line edge forms no part of the claimed design.

(56) **References Cited**

U.S. PATENT DOCUMENTS

D489,496 S * 5/2004 Sneddon D32/6
D542,487 S * 5/2007 Jun D32/6
D554,307 S * 10/2007 Kim D32/6
D556,394 S * 11/2007 Kim D32/6

1 Claim, 7 Drawing Sheets



(56)

References Cited

U.S. PATENT DOCUMENTS

| | | | | | | |
|--------------|----|---|---------|--------------|-------|-----------------------|
| D648,084 | S | * | 11/2011 | Browne | | D32/28 |
| D654,640 | S | * | 2/2012 | Song | | D32/6 |
| D697,680 | S | | 1/2014 | Hwang et al. | | |
| D701,656 | S | * | 3/2014 | Choi | | D32/6 |
| D729,994 | S | * | 5/2015 | Kang | | D32/6 |
| D759,325 | S | * | 6/2016 | Jeon | | D32/6 |
| D760,454 | S | * | 6/2016 | Joo | | D32/6 |
| D764,120 | S | * | 8/2016 | Choi | | D32/6 |
| D772,505 | S | | 11/2016 | Bixby et al. | | |
| D783,212 | S | * | 4/2017 | Jeon | | D32/6 |
| D795,511 | S | * | 8/2017 | Jeon | | D32/6 |
| D833,091 | S | * | 11/2018 | Ayers | | D32/6 |
| D884,997 | S | * | 5/2020 | Kim | | D32/6 |
| 2006/0290247 | A1 | * | 12/2006 | Lim | | D06F 39/12 312/278 |
| 2007/0107471 | A1 | * | 5/2007 | Zaccone | | D06F 25/00 68/3 R |
| 2016/0047078 | A1 | * | 2/2016 | Leibman | | D06F 39/028 8/137 |

FOREIGN PATENT DOCUMENTS

| | | | |
|----|-----------------|---|---------|
| EM | 002945170-0004 | | 1/2016 |
| JP | D1555247 | * | 7/2015 |
| KR | 30-2015-0009306 | | 10/2015 |

OTHER PUBLICATIONS

LG Electronics 5.0 cu. ft. HE Mega Capacity Smart Top Load Washer, Best Buy website reviews 2015, [https://www.homedepot.com/p/LG-Electronics-5-0-cu-ft-HE-Mega-Capacity-Smart-Top-Lo . . .](https://www.homedepot.com/p/LG-Electronics-5-0-cu-ft-HE-Mega-Capacity-Smart-Top-Lo...) site visited Jun. 8, 2020.*

Haier. “Haier (HWM-120-1678) Top Load Fully Automatic Washing Machine” [2019] www.homeshopping.pk Jun. 25, 2019 <<https://homeshopping.pk/products/Haier-HWM1201678-Automatic-Washing-Machine-Price-In-Pakistan.html>>.

LG. “29 Inch 5.7 cu. ft. Top Load Washer with 14 Wash Cycles, 1,050 RPM, Steam, TurboWash Technology, StainCare, Speed Wash, Allergiene Cycle, Sanitary Cycle, Smart Diagnosis and Energy Star Qualification: Graphite Steel” [2019] www.ajmadison.com Jun. 25, 2019 <<https://www.ajmadison.com/cgi-bin/ajmadison/WT7700HVA.html>>.

GE. “4.6 cu. ft. Energy Star Top Load Washer” [2019] www.wayfair.com Jun. 25, 2019 <<https://www.wayfair.com/appliances/de/ge-appliances-46-cu-ft-top-load-washer-geap1089.html?piid=28134964>>.

* cited by examiner

FIG. 1

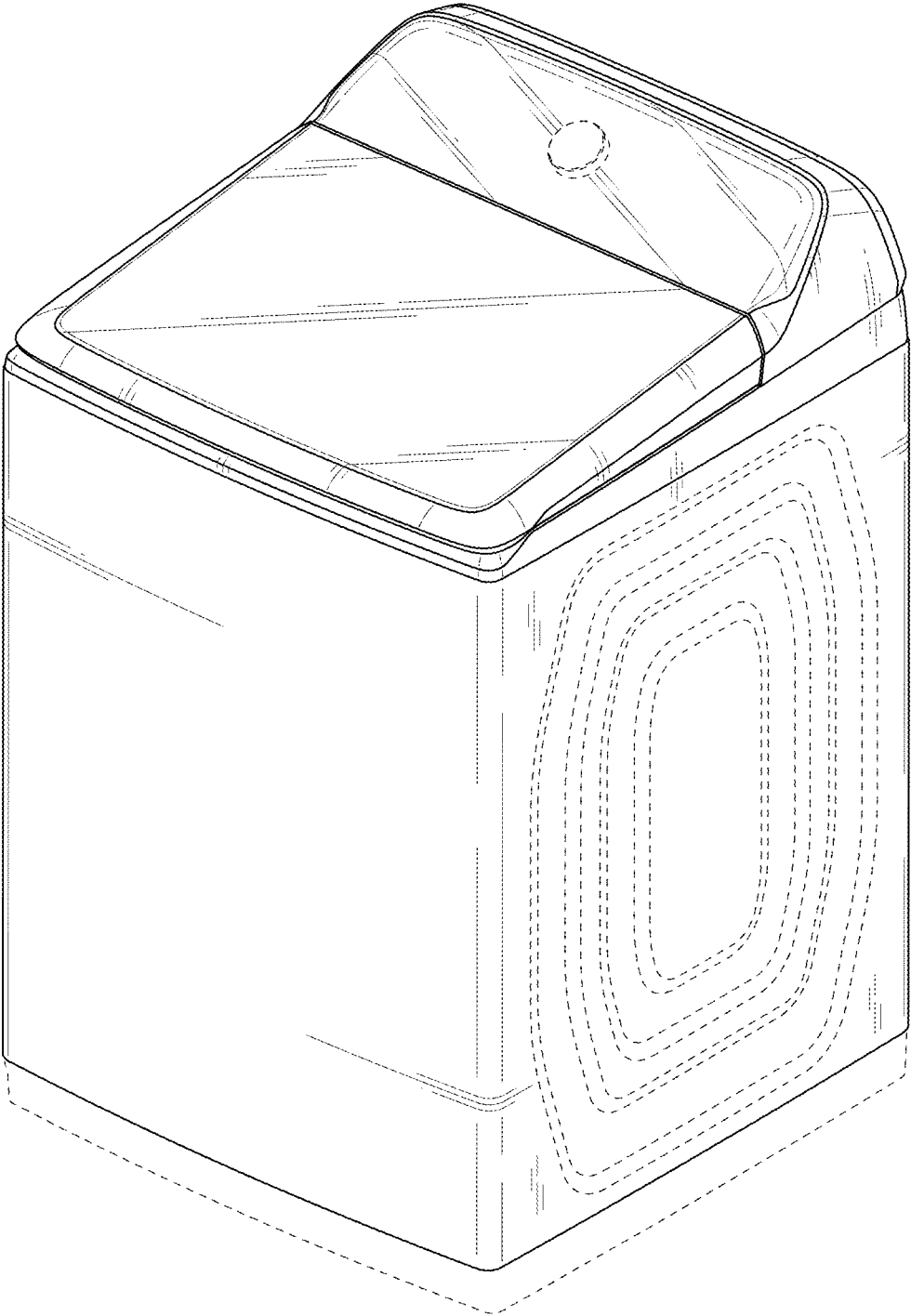


FIG. 2

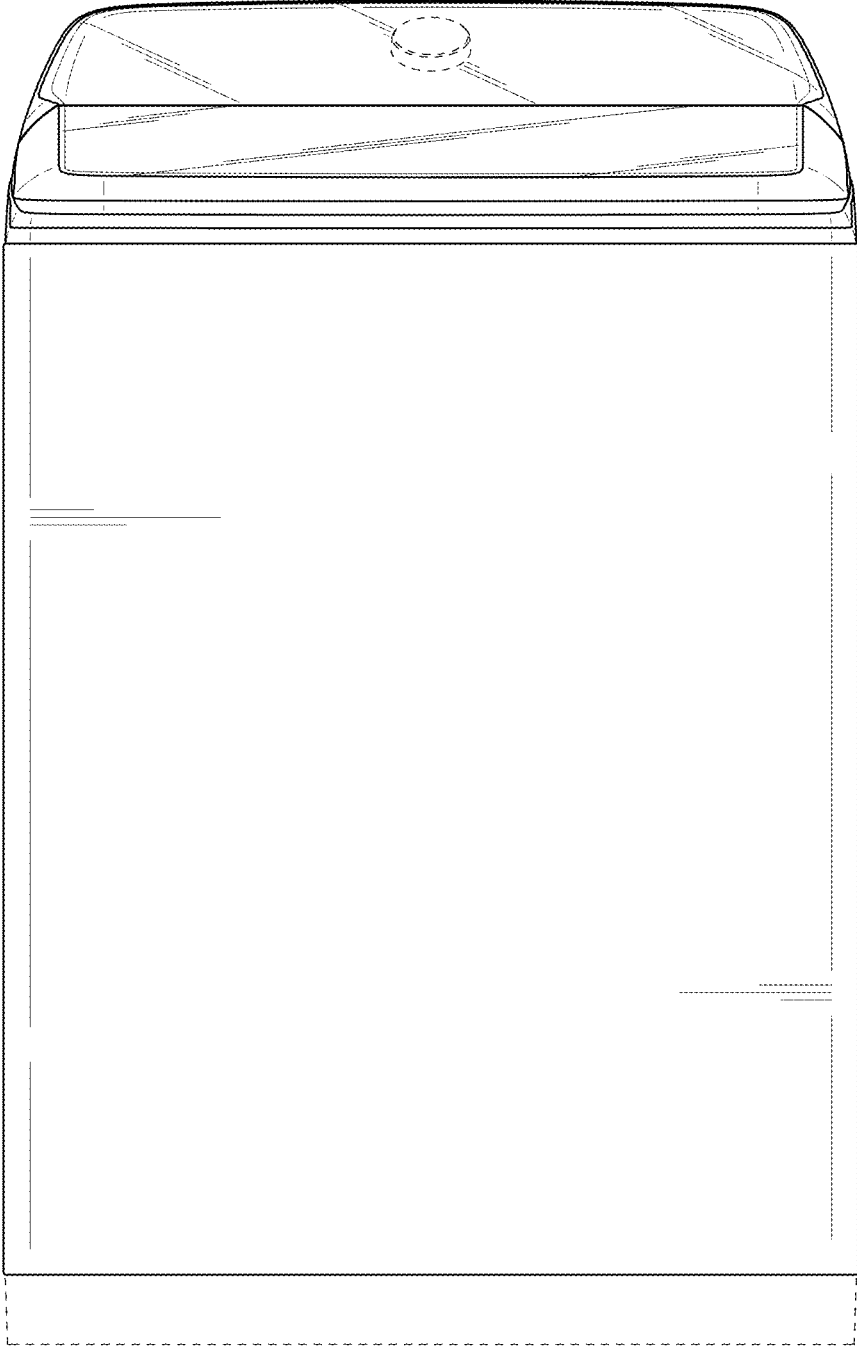


FIG. 3

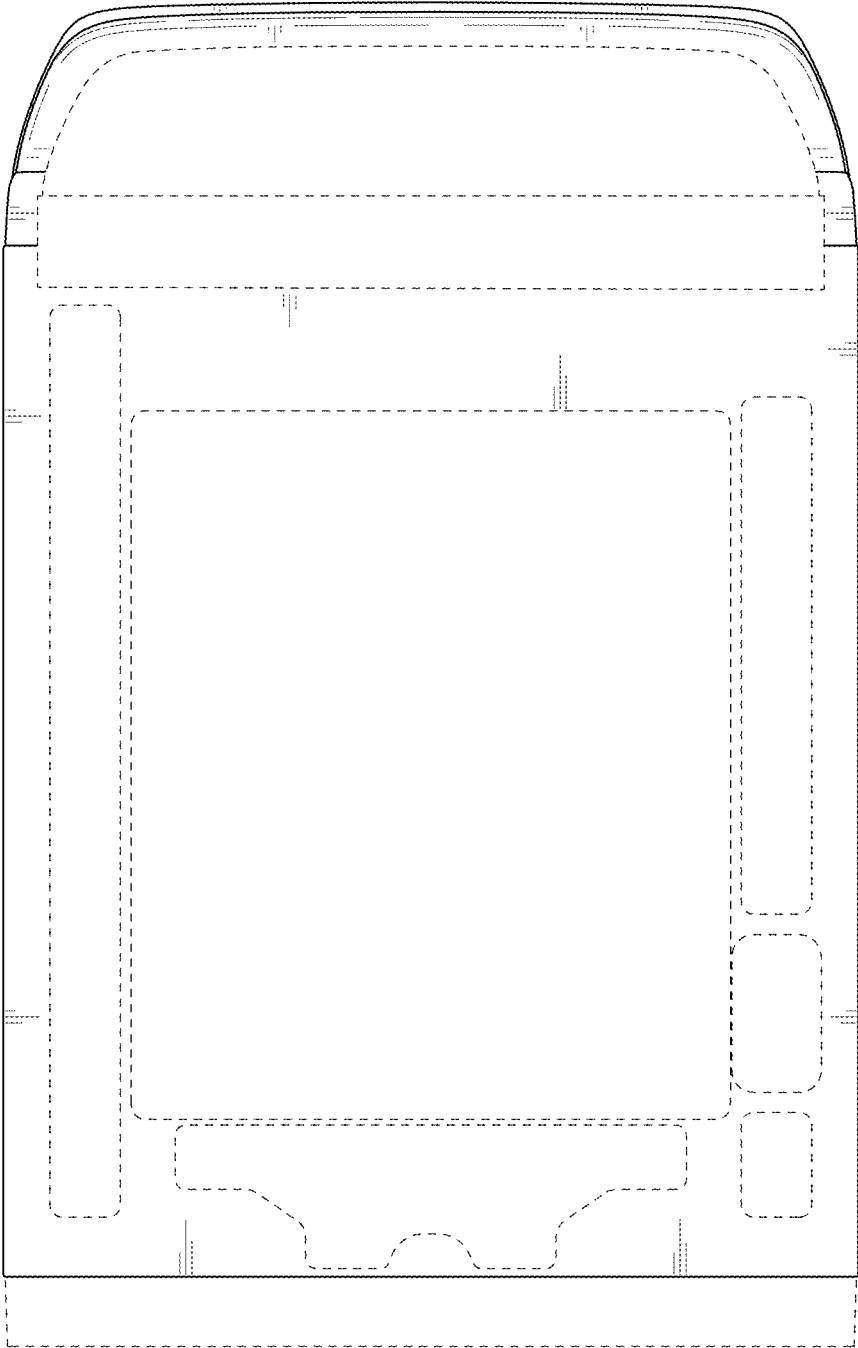


FIG. 4

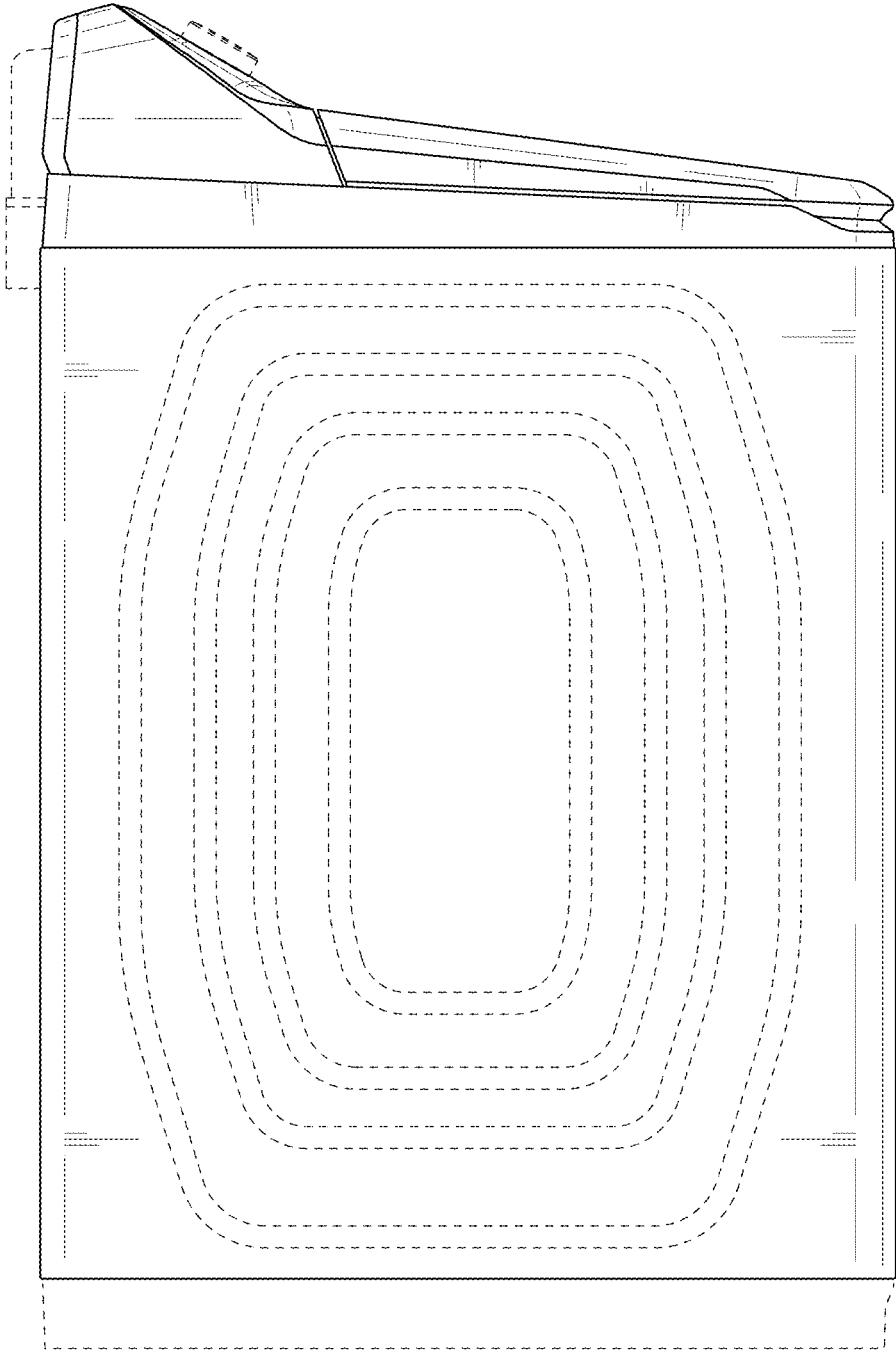


FIG. 5

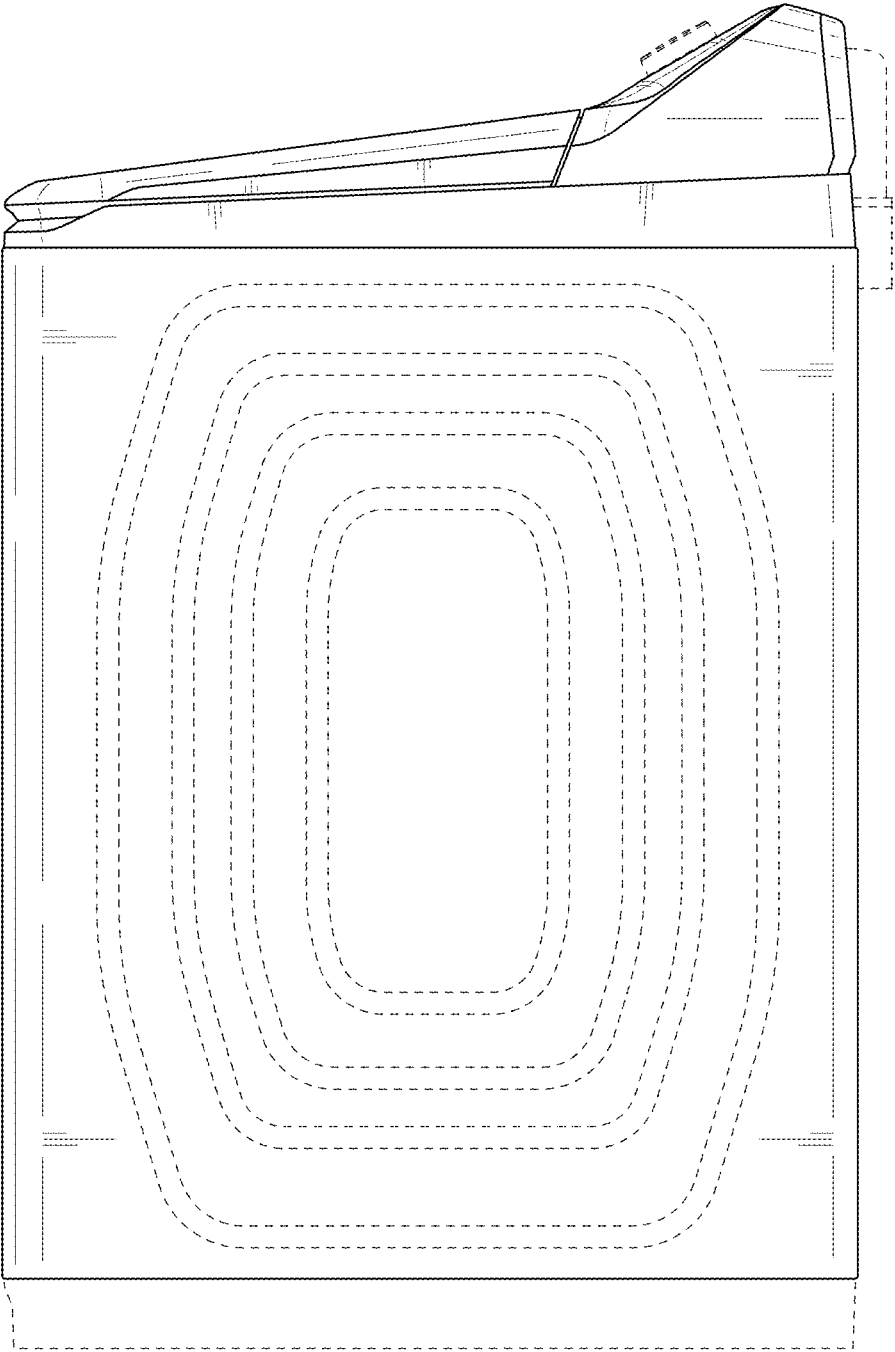


FIG. 6

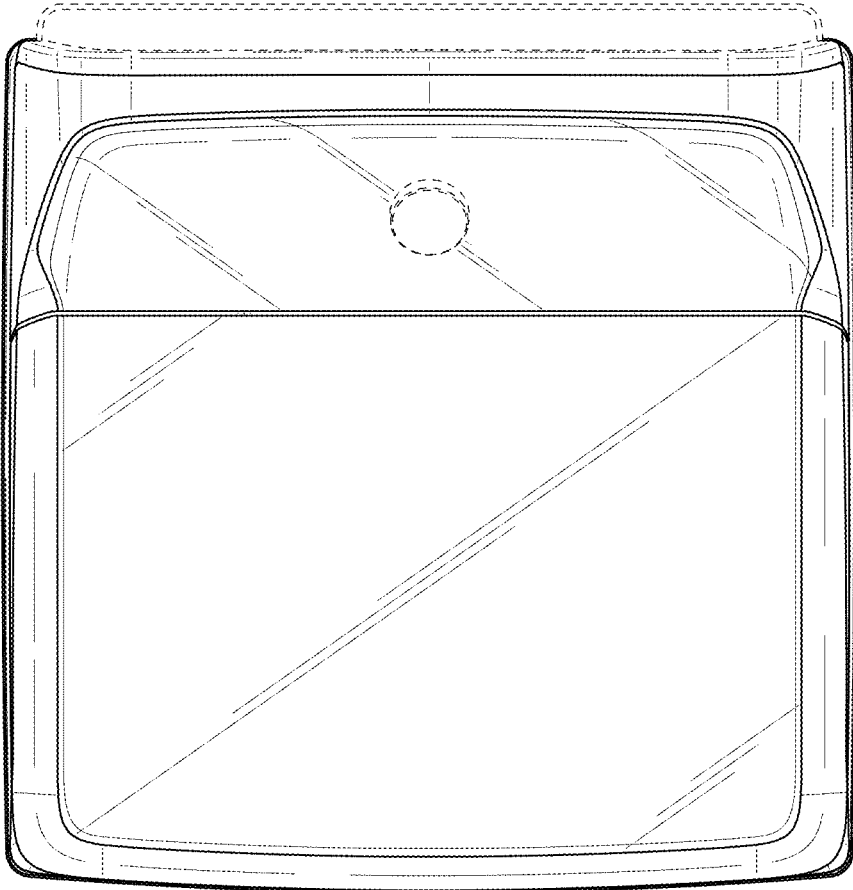


FIG. 7

