



US00D661672S

(12) **United States Design Patent**  
**Kim**

(10) **Patent No.:** **US D661,672 S**

(45) **Date of Patent:** **\*\* Jun. 12, 2012**

(54) **LIQUID CRYSTAL DISPLAY (LCD) MONITOR**

(75) Inventor: **Young Se Kim**, Seoul (KR)

(73) Assignee: **LG Display Co., Ltd.**, Seoul (KR)

(\*\*) Term: **14 Years**

(21) Appl. No.: **29/396,165**

(22) Filed: **Jun. 27, 2011**

(30) **Foreign Application Priority Data**

Dec. 29, 2010 (KR) ..... 30-2010-0056440

(51) **LOC (9) Cl.** ..... **14-03**

(52) **U.S. Cl.** ..... **D14/126**

(58) **Field of Classification Search** ..... D14/125-134,  
D14/239, 371, 136, 374-377, 440, 450, 448,  
D14/336, 342; 312/7.2; 348/836, 838, 180,  
348/184, 325, 739; 341/12; 248/917-924,  
248/465; 345/104, 133, 156, 168, 87, 173;  
720/605, 669, 600, 655; 369/99, 197; D21/329,  
D21/515, 577, 622, 333, 433, 448, 452, 450,  
D21/331; D6/477, 479, 300; 273/148 B;  
446/484, 175, 356; D10/15, 26

See application file for complete search history.

(56) **References Cited**

U.S. PATENT DOCUMENTS

D569,815 S *	5/2008	Otani	.....	D14/126
D578,087 S *	10/2008	Yokota	.....	D14/126
D599,756 S *	9/2009	Yokota	.....	D14/126
D625,278 S *	10/2010	Kim et al.	.....	D14/126
D636,745 S *	4/2011	Yokota et al.	.....	D14/126
D642,145 S *	7/2011	Kim et al.	.....	D14/126
D649,950 S *	12/2011	Chiu	.....	D14/126
D652,399 S *	1/2012	Chiu	.....	D14/126
D655,266 S *	3/2012	Kim	.....	D14/126

\* cited by examiner

*Primary Examiner* — Raphael Barkai

(74) *Attorney, Agent, or Firm* — Birch, Stewart, Kolasch & Birch, LLP

(57) **CLAIM**

The ornamental design for a liquid crystal display (LCD) monitor, as shown and described.

**DESCRIPTION**

FIG. 1 is a perspective view of a liquid crystal display (LCD) monitor showing my new design;  
FIG. 2 is a front view thereof;  
FIG. 3 is a rear view thereof;  
FIG. 4 is a left side view thereof;  
FIG. 5 is a right side view thereof;  
FIG. 6 is a top plan view thereof; and,  
FIG. 7 is a bottom plan view thereof.

**1 Claim, 6 Drawing Sheets**

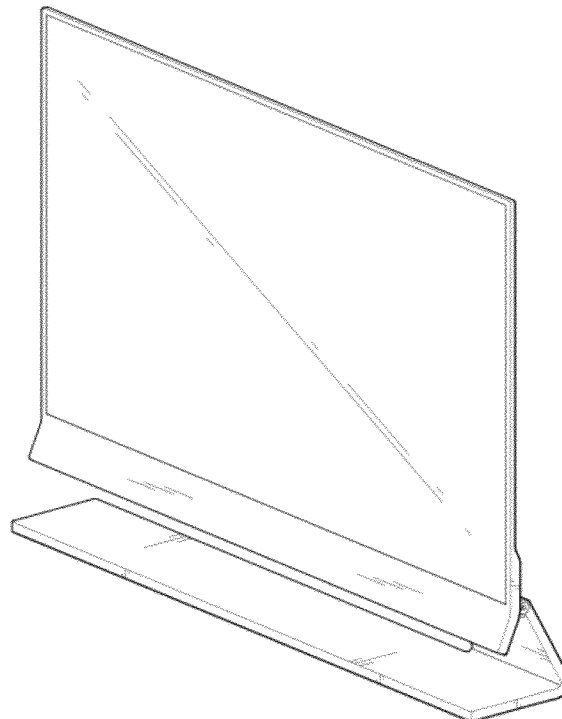


FIG. 1

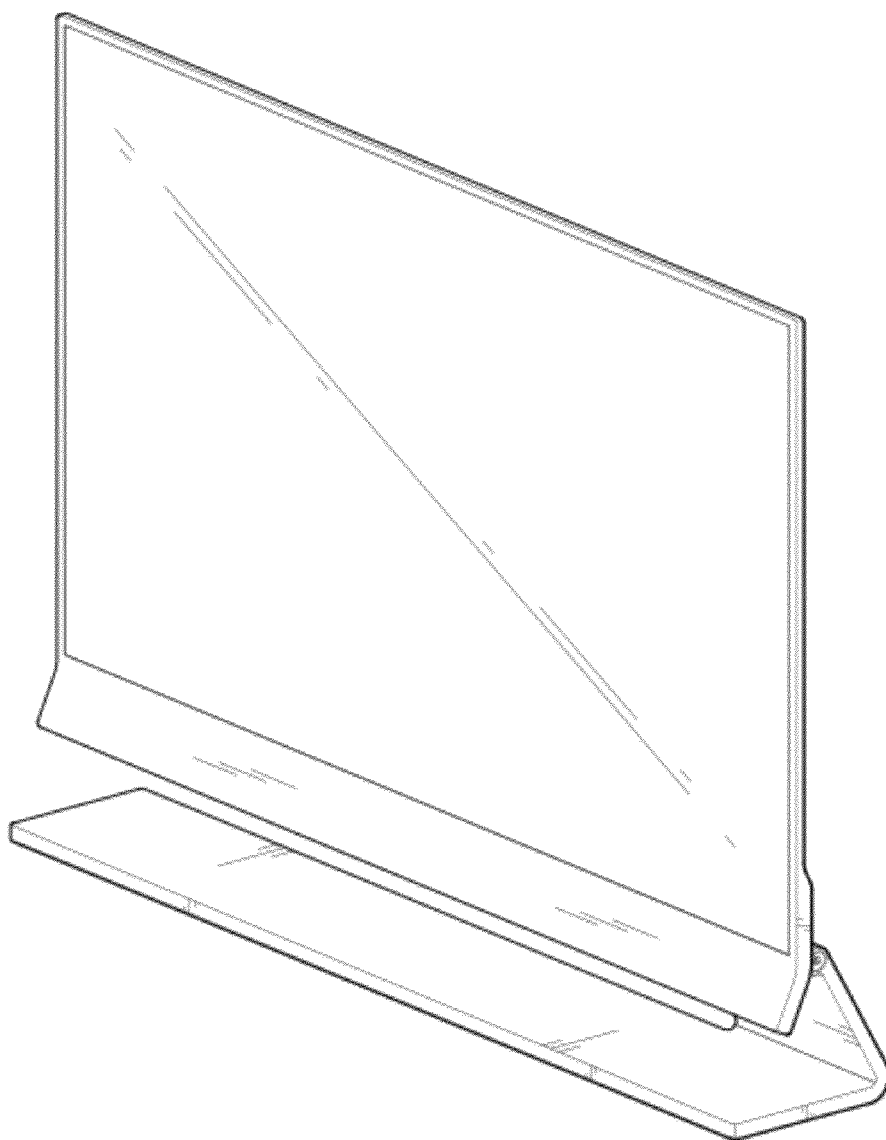


FIG. 2

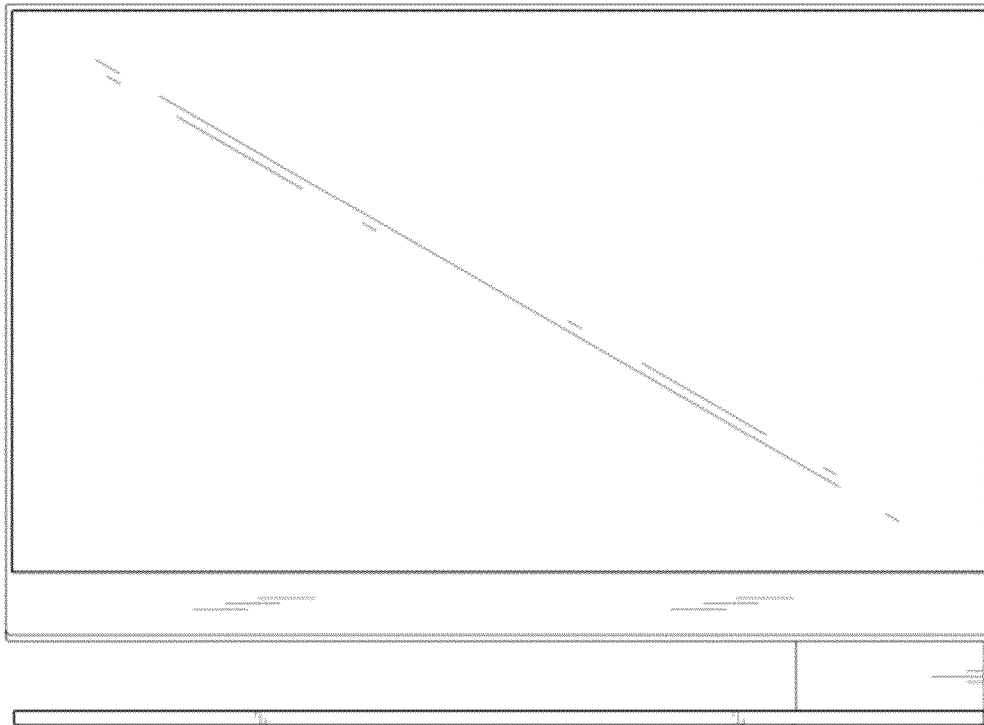


FIG. 3



FIG. 4

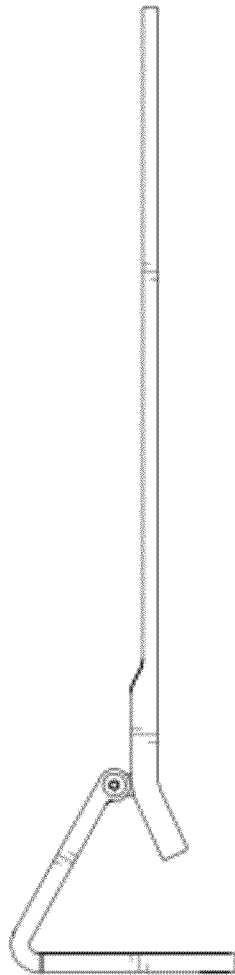


FIG. 5

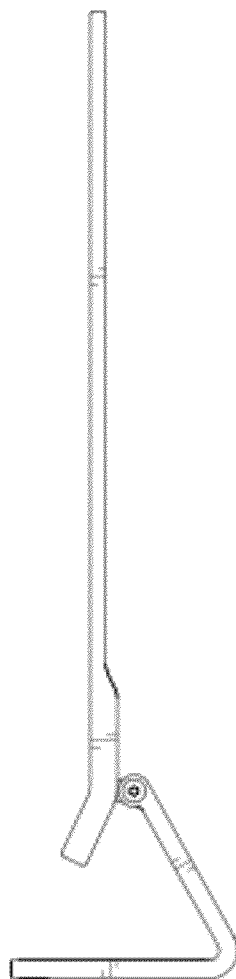


FIG. 6

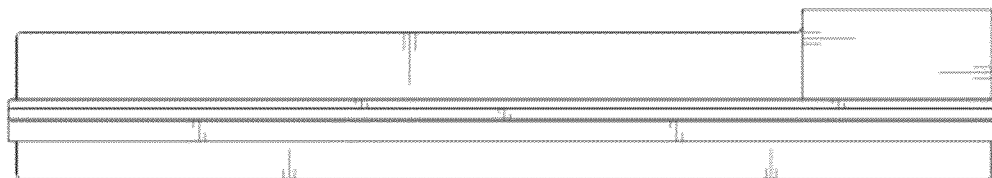


FIG. 7

