



US00D582453S

(12) **United States Design Patent**
Davies

(10) **Patent No.:** **US D582,453 S**
(45) **Date of Patent:** **** Dec. 9, 2008**

(54) **AUTOMOBILE IGNITION CABLE DUCTING**

(76) Inventor: **Robert Anthony Davies**, 12 Northend Avenue, Bristol (GB) BS15 1UD

(**) Term: **14 Years**

(21) Appl. No.: **29/263,594**

(22) Filed: **Jul. 27, 2006**

(51) **LOC (8) Cl.** **15-99**

(52) **U.S. Cl.** **D15/199**

(58) **Field of Classification Search** D13/144,
D13/153; D15/5, 199; 174/110 S, 113 C,
174/120 R, 120 SC, 131, 397; 338/66, 214,
338/322

See application file for complete search history.

(56) **References Cited**

U.S. PATENT DOCUMENTS

- 3,284,751 A * 11/1966 Barker et al. 338/66
- 3,518,606 A * 6/1970 Barker 338/214
- 3,680,027 A * 7/1972 Vitale 338/214
- 3,991,397 A * 11/1976 King 338/214
- 4,366,464 A * 12/1982 Miyamoto et al. 338/66
- 4,369,423 A * 1/1983 Holtzberg 338/66

- 4,700,171 A * 10/1987 Coffey et al. 338/66
- 4,998,090 A * 3/1991 Park 338/214
- 5,059,938 A * 10/1991 Brown 338/66
- 5,397,860 A * 3/1995 Yochum et al. 174/113 C
- D367,846 S * 3/1996 Moshe D13/144
- 5,661,266 A * 8/1997 Chang 174/102 SC
- D397,994 S * 9/1998 Ben-Moshe D13/144

* cited by examiner

Primary Examiner—Sandra Snapp
Assistant Examiner—Patricia Palasik

(57) **CLAIM**

The ornamental design for an automobile ignition cable ducting, as shown.

DESCRIPTION

FIG. 1 is a top plan view of an automobile ignition cable ducting showing my new design;

FIG. 2 is front view thereof; and,

FIG. 3 is a right side elevational view thereof.

Portions of the automobile ignition cable ducting shown in broken lines in the figures are for illustrative purposes only and form no part of the claimed design.

1 Claim, 1 Drawing Sheet

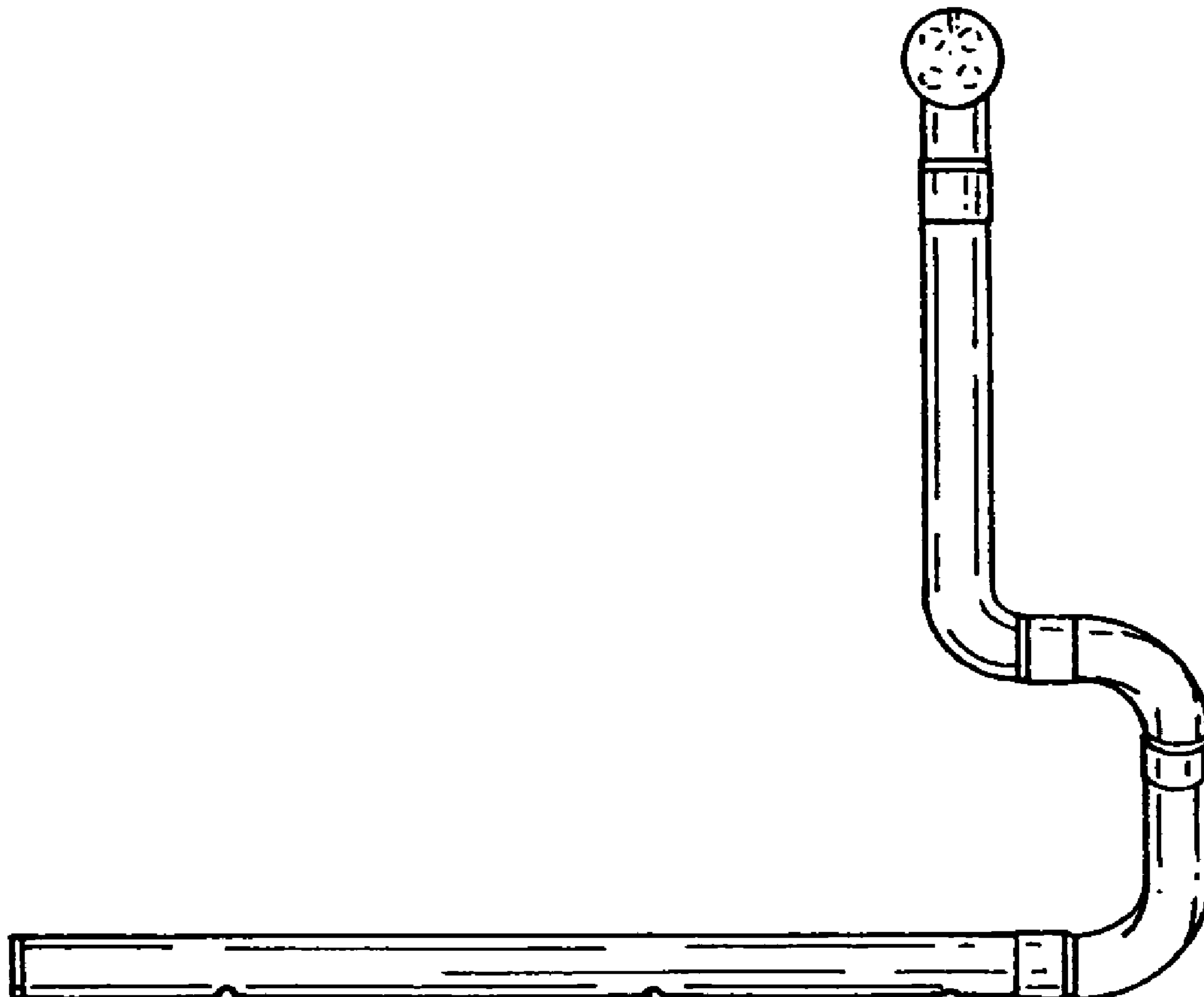


FIG. 1

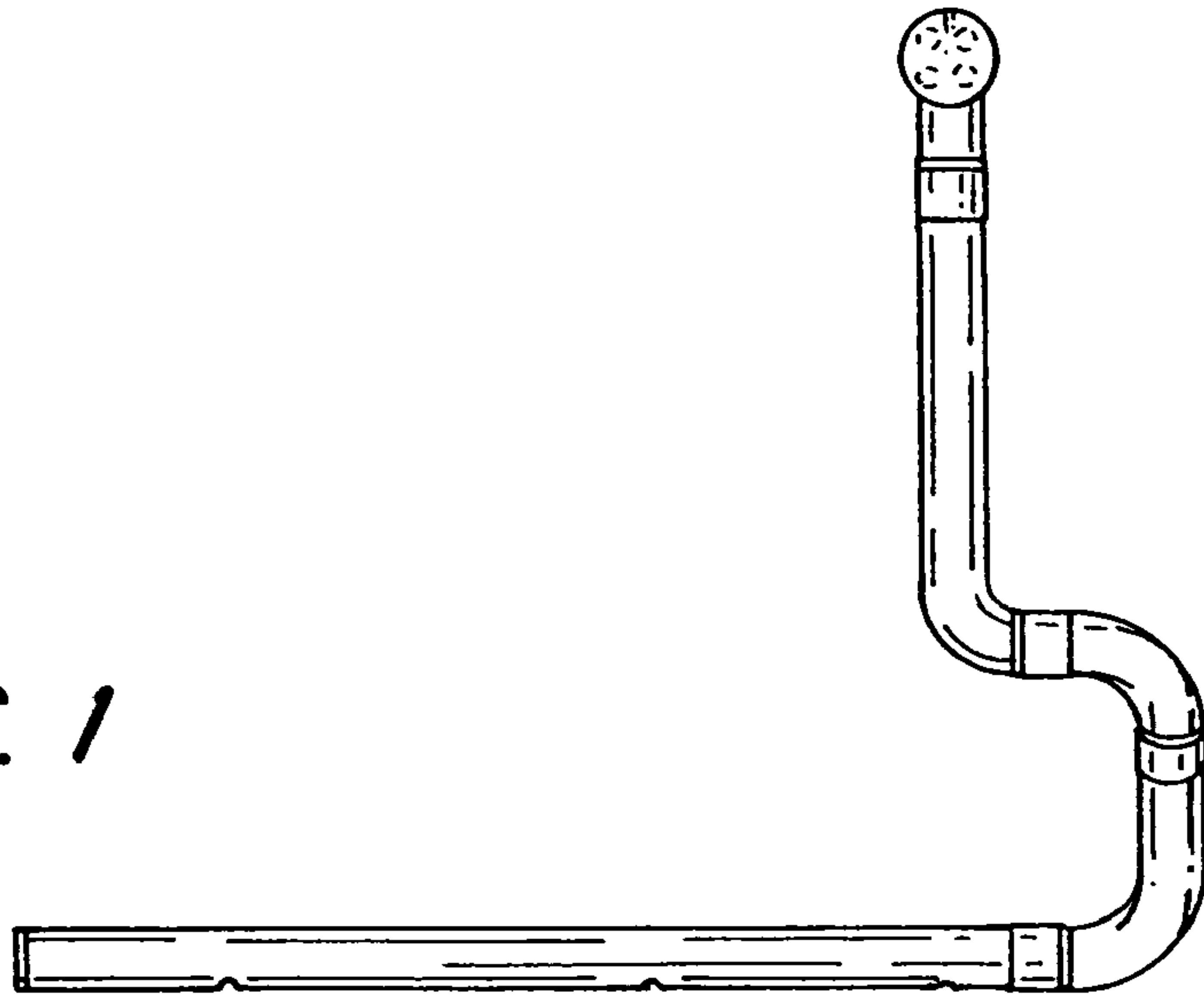


FIG. 2

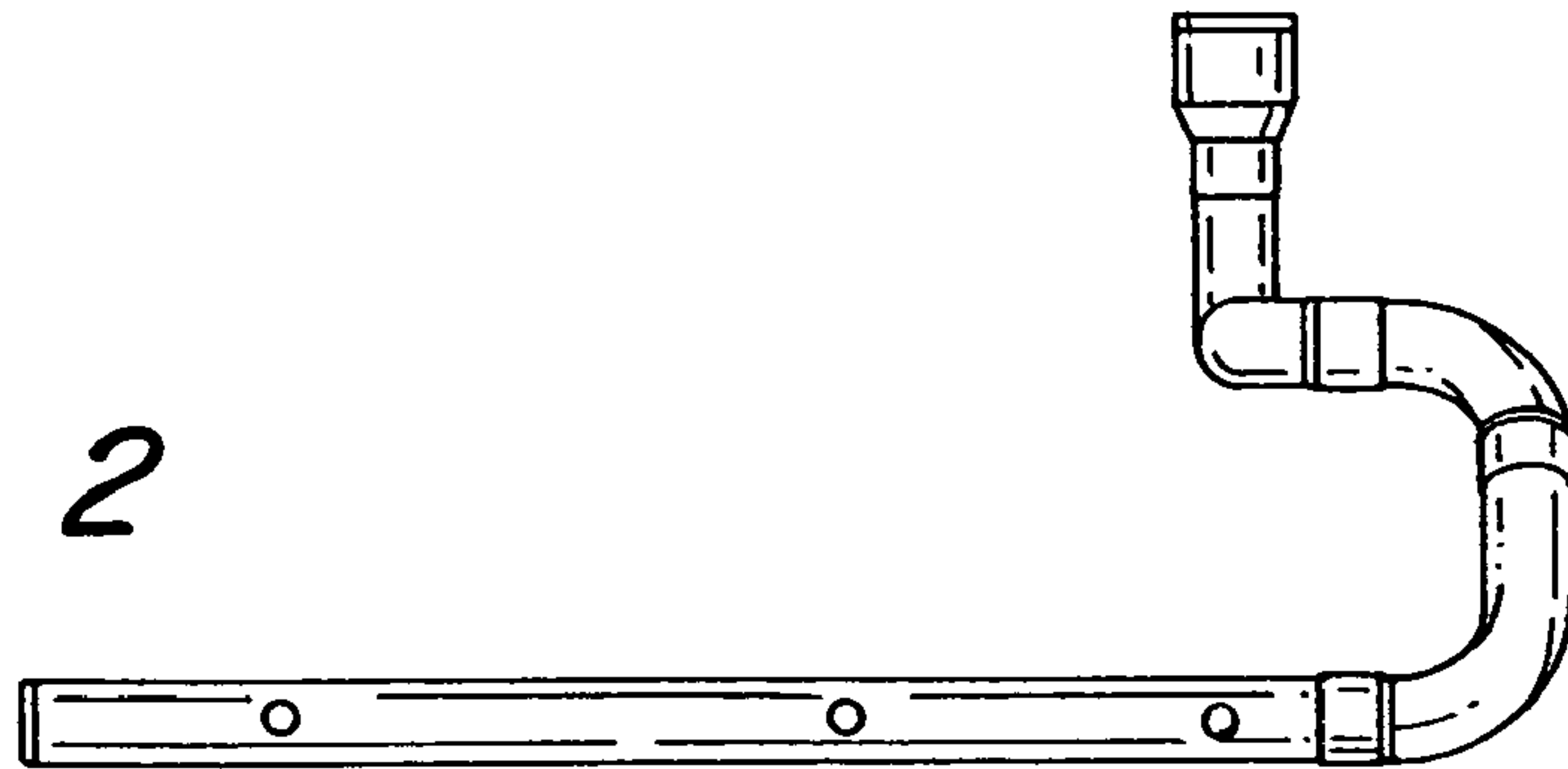


FIG. 3

