



US00D932518S

(12) **United States Design Patent**
Tomczak et al.

(10) **Patent No.:** **US D932,518 S**

(45) **Date of Patent:** **** Oct. 5, 2021**

- (54) **ELECTRIC MOTOR STARTER**
- (71) Applicant: **Siemens Aktiengesellschaft**, Munich (DE)
- (72) Inventors: **Christoph Tomczak**, Erlangen (DE); **Frank Zeitler**, Uttenreuth (DE)
- (73) Assignee: **Siemens Aktiengesellschaft**, Munich (DE)
- (**) Term: **15 Years**
- (21) Appl. No.: **29/648,806**
- (22) Filed: **May 24, 2018**
- (30) **Foreign Application Priority Data**

D647,845 S * 11/2011 Engblom D13/113
 D647,846 S * 11/2011 Engblom D13/113
 D778,843 S * 2/2017 Gronqvist D13/162
 2013/0155628 A1* 6/2013 Lee H02P 1/02
 361/736
 2014/0203750 A1* 7/2014 Aufschneider H01H 89/06
 318/490

* cited by examiner

Primary Examiner — Ania Aman

(74) *Attorney, Agent, or Firm* — Cozen O'Connor

- Nov. 24, 2017 (EM) 004520963
- (51) **LOC (13) Cl.** **15-01**
- (52) **U.S. Cl.**
USPC **D15/5; D13/110**
- (58) **Field of Classification Search**
USPC D15/5; D13/113, 101, 110, 122, 123,
D13/184, 199, 158, 162, 164
CPC H05K 5/0017; H02P 1/029; H02P 1/42
See application file for complete search history.

(56) **References Cited**

U.S. PATENT DOCUMENTS

D577,336 S * 9/2008 Kaser D13/113
 D647,844 S * 11/2011 Engblom D13/113

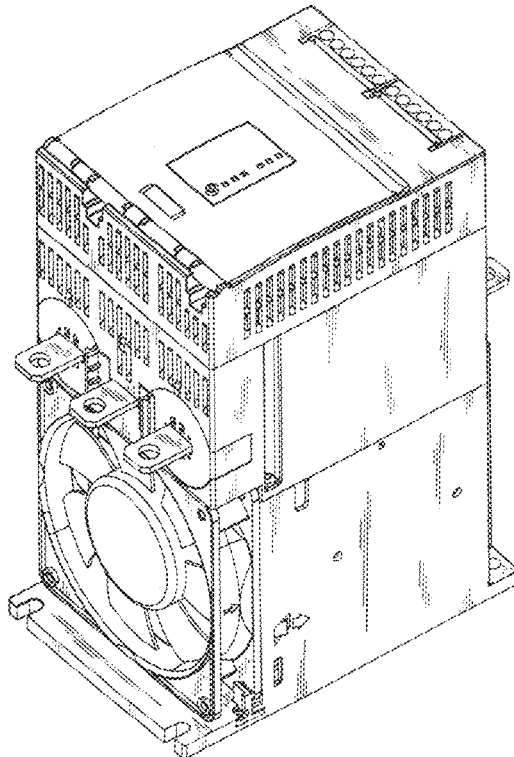
(57) **CLAIM**

The ornamental design for an electric motor starter, as shown and described.

DESCRIPTION

FIG. 1 is a front elevational view of an electric motor starter showing our new design;
 FIG. 2 is a rear elevational view thereof;
 FIG. 3 is a top plan view thereof;
 FIG. 4 is a bottom plan view thereof;
 FIG. 5 is a right-side elevation view thereof;
 FIG. 6 is left-side elevation view thereof; and,
 FIG. 7 is a front, top and right-side perspective view thereof. In the drawings, the broken lines depict unclaimed subject matter only and form no part of the claimed design.

1 Claim, 7 Drawing Sheets



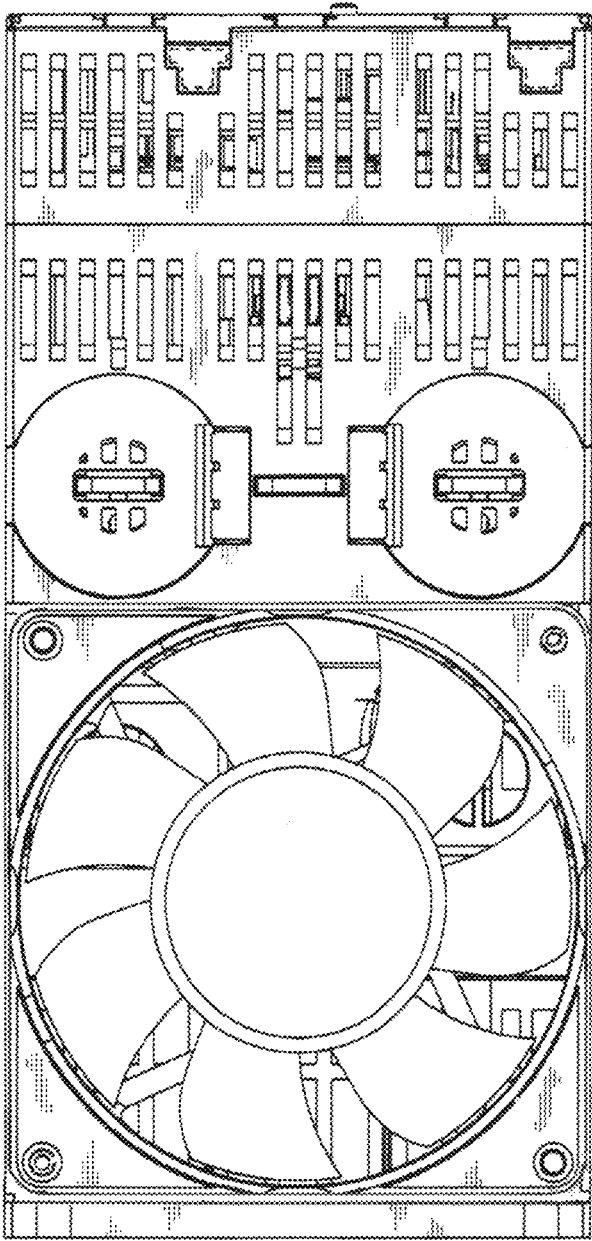


FIG. 1

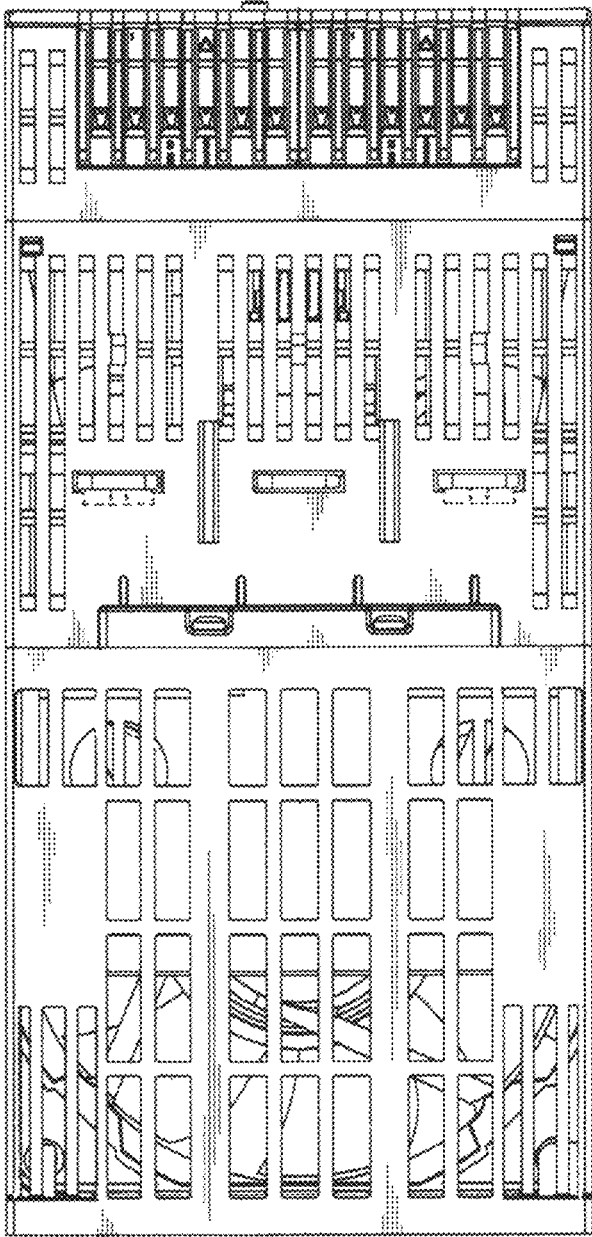


FIG.2

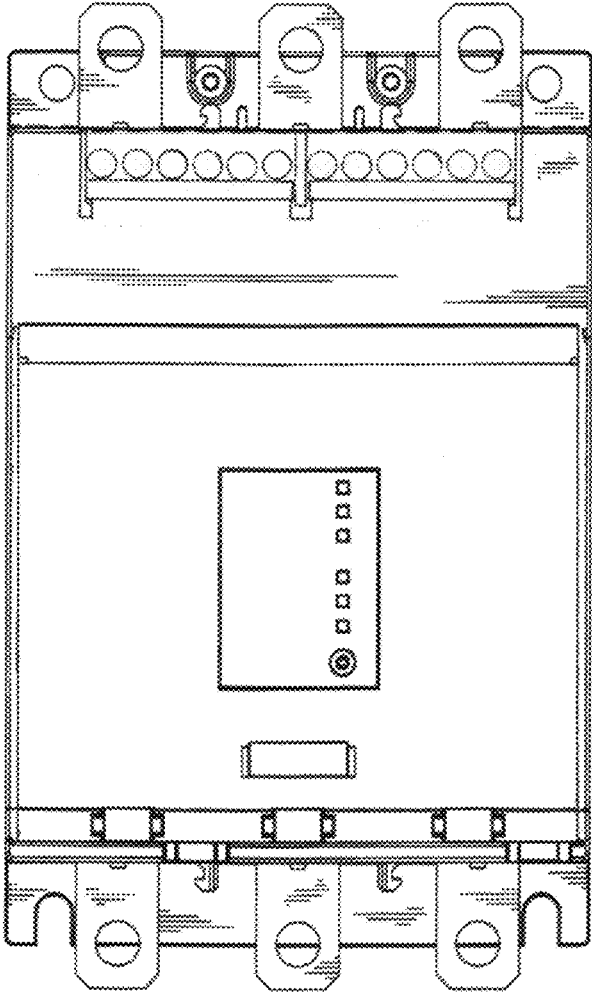


FIG.3

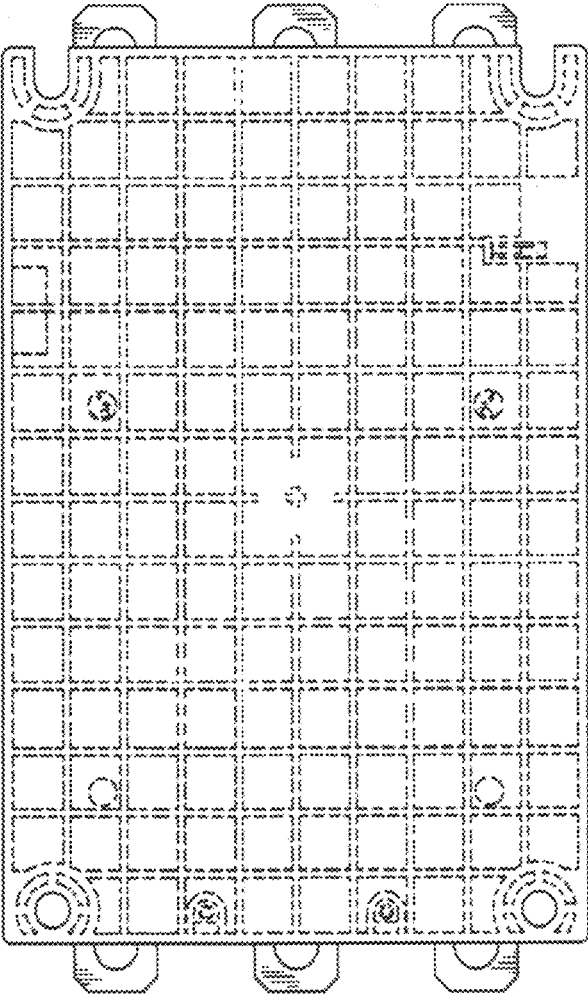


FIG. 4

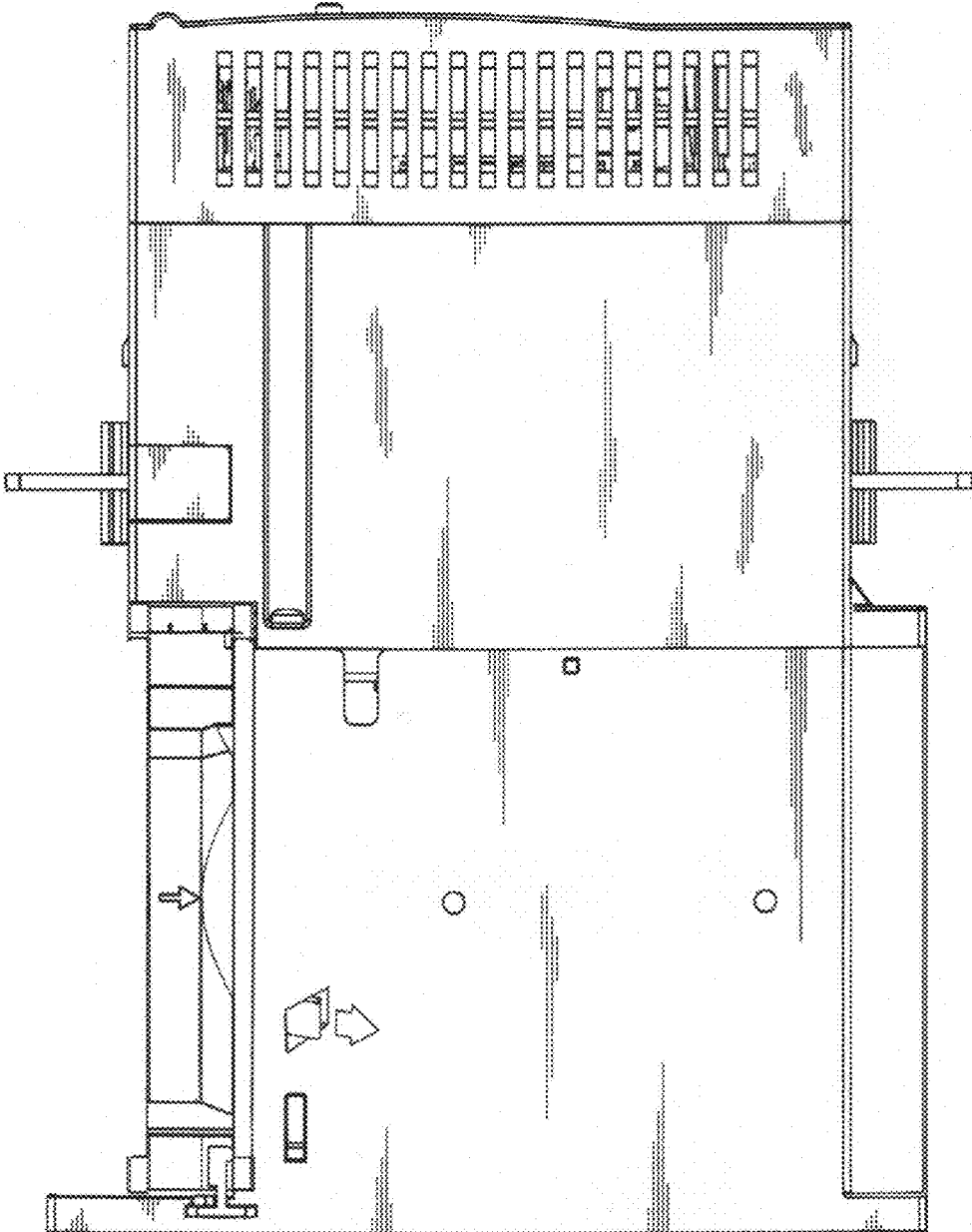


FIG. 5

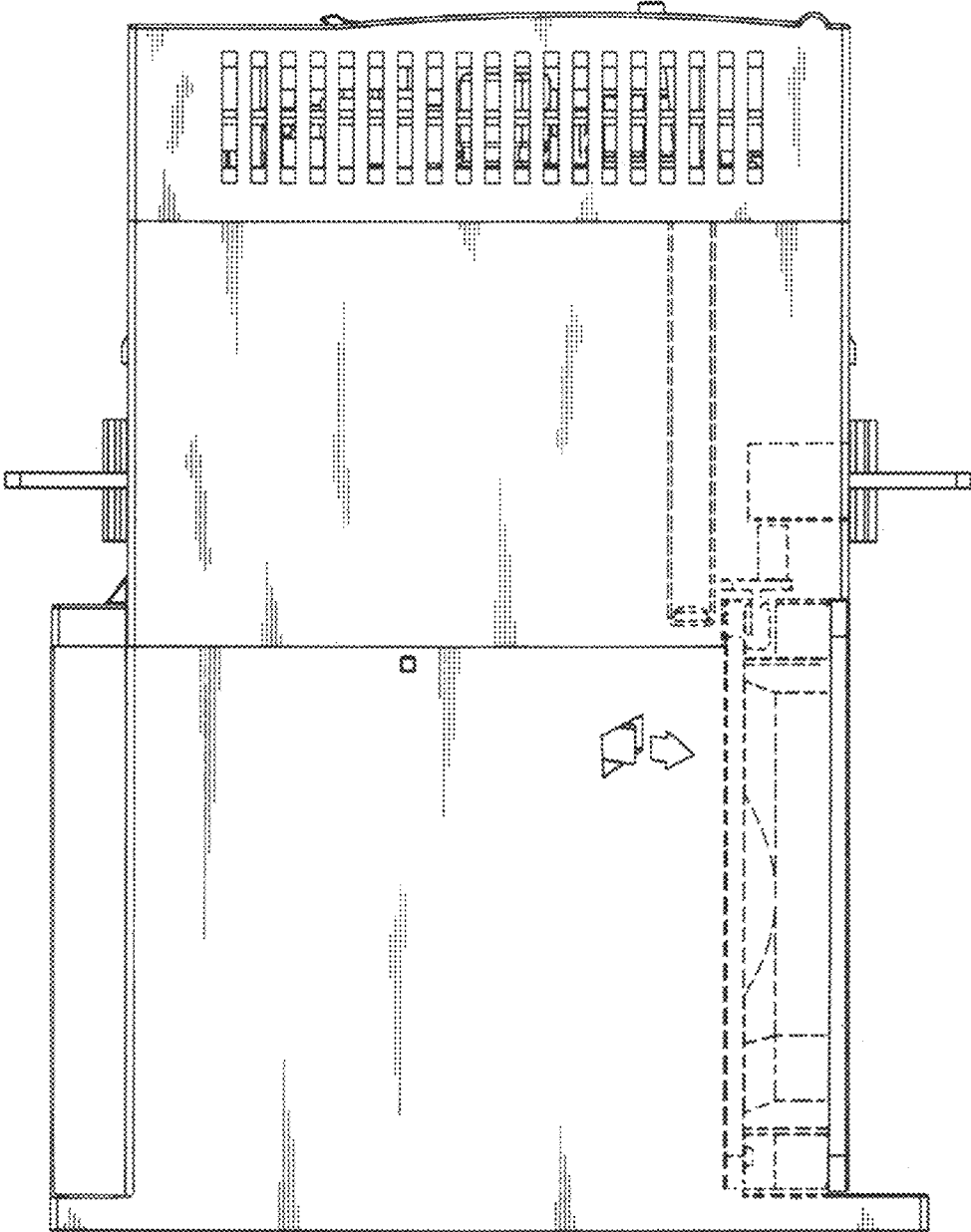


FIG. 6

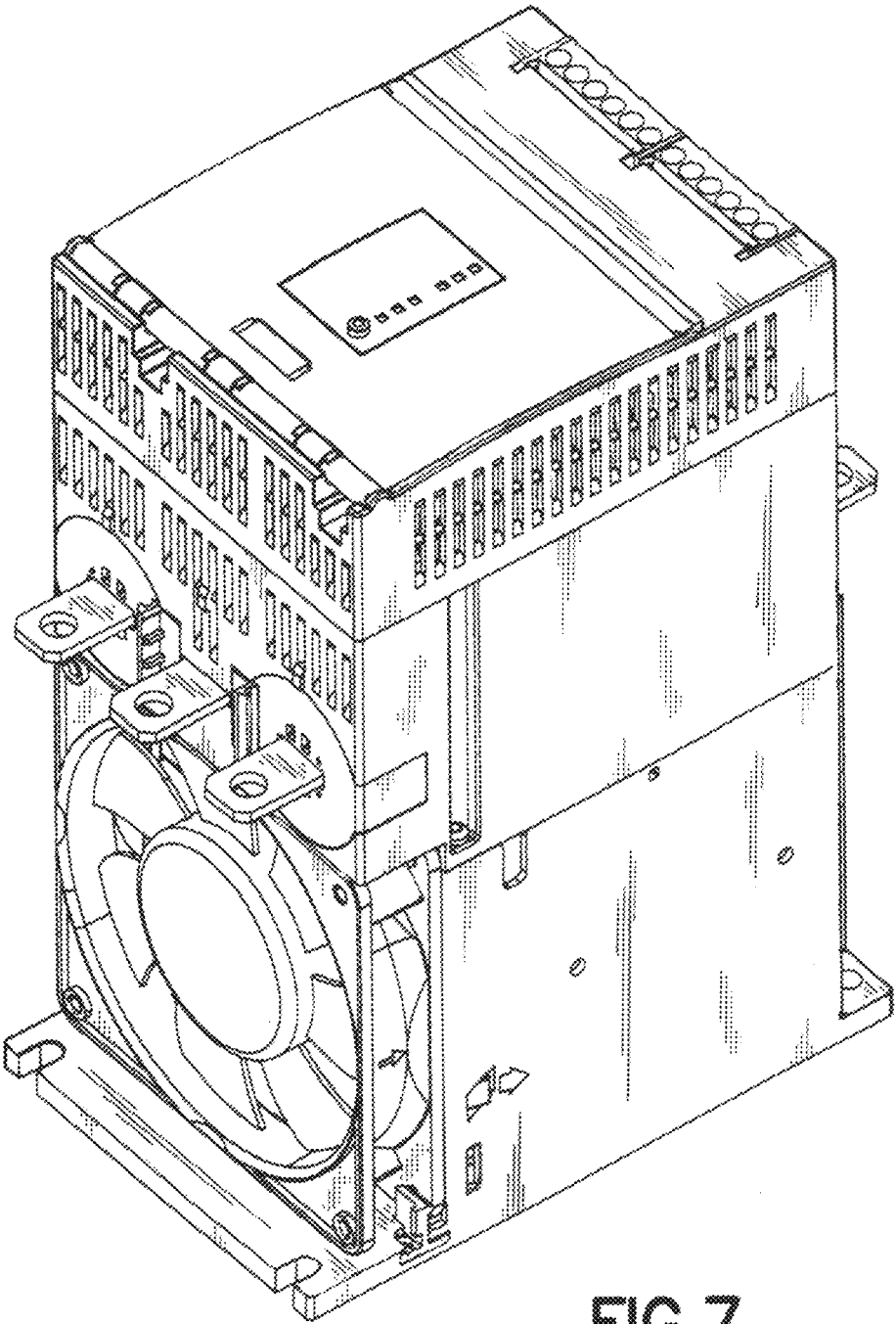


FIG. 7