

(19) World Intellectual Property
Organization
International Bureau



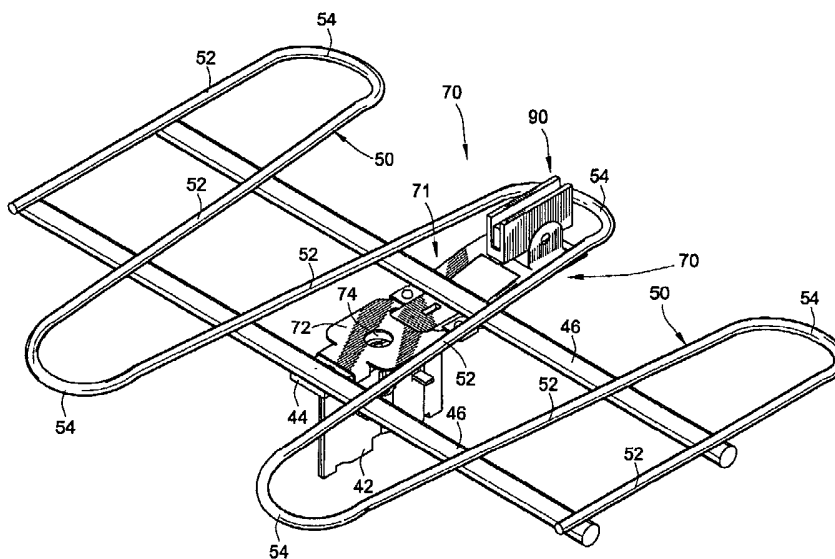
(43) International Publication Date
6 January 2005 (06.01.2005)

PCT

(10) International Publication Number
WO 2005/000716 A3

- (51) International Patent Classification⁷: **B65G 15/46**
- (21) International Application Number:
PCT/US2004/017877
- (22) International Filing Date: 8 June 2004 (08.06.2004)
- (25) Filing Language: English
- (26) Publication Language: English
- (30) Priority Data:
10/464,101 18 June 2003 (18.06.2003) US
- (71) Applicant (for all designated States except US): **APV BAKER** [US/US]; 1200 West Ash Street, P.O. Box 1718, Goldsboro, North Carolina 27533-1718 (US).
- (72) Inventors; and
- (75) Inventors/Applicants (for US only): **HAMILTON, John, R.** [US/US]; 108 Dobbs Place, Goldsboro, North Carolina 27534 (US). **RAVINDRAN, Ramanathan** [US/US]; 18508 Kelly Cave Trail, Dallas, Texas 75252 (US). **HIT-TLE, Mark, S.** [US/US]; 102 Log Oak Place, Goldsboro, North Carolina 27534 (US).
- (74) Agent: **MAKEEVER, Jeffery, J.**; Leydig, Voit & Mayer, Ltd., 6815 Weaver Road, Suite 300, Rockford, Illinois 61114-8018 (US).
- (81) Designated States (unless otherwise indicated, for every kind of national protection available): AE, AG, AL, AM, AT, AU, AZ, BA, BB, BG, BR, BW, BY, BZ, CA, CH, CN, CO, CR, CU, CZ, DE, DK, DM, DZ, EC, EE, EG, ES, FI, GB, GD, GE, GH, GM, HR, HU, ID, IL, IN, IS, JP, KE, KG, KP, KR, KZ, LC, LK, LR, LS, LT, LU, LV, MA, MD, MG, MK, MN, MW, MX, MZ, NA, NI, NO, NZ, OM, PG, PH, PL, PT, RO, RU, SC, SD, SE, SG, SK, SL, SY, TJ, TM, TN, TR, TT, TZ, UA, UG, US, UZ, VC, VN, YU, ZA, ZM, ZW.
- (84) Designated States (unless otherwise indicated, for every kind of regional protection available): ARIPO (BW, GH, GM, KE, LS, MW, MZ, NA, SD, SL, SZ, TZ, UG, ZM, ZW), Eurasian (AM, AZ, BY, KG, KZ, MD, RU, TJ, TM), European (AT, BE, BG, CH, CY, CZ, DE, DK, EE, ES, FI, FR, GB, GR, HU, IE, IT, LU, MC, NL, PL, PT, RO, SE, SI, SK, TR), OAPI (BF, BJ, CF, CG, CI, CM, GA, GN, GQ, GW, ML, MR, NE, SN, TD, TG).
- Published:**
— with international search report
- (88) Date of publication of the international search report:
14 July 2005
- For two-letter codes and other abbreviations, refer to the "Guidance Notes on Codes and Abbreviations" appearing at the beginning of each regular issue of the PCT Gazette.

(54) Title: MAGNETIC CENTERGUIDE



(57) Abstract: A magnetic centerguide (70) for a grid (40) structured for travel along a path of a conveyor (20). The grid defines a support surface that supports a pan (31-39). The guide comprises a magnet-carrying guide member (90) mounted on the grid.

WO 2005/000716 A3

INTERNATIONAL SEARCH REPORT

International application No.

PCT/US04/17877

A. CLASSIFICATION OF SUBJECT MATTER
 IPC(7) : B 65 G 15/46
 US CL : 198/867.04
 According to International Patent Classification (IPC) or to both national classification and IPC

B. FIELDS SEARCHED
 Minimum documentation searched (classification system followed by classification symbols)
 U.S. : 198/867.04

Documentation searched other than minimum documentation to the extent that such documents are included in the fields searched

Electronic data base consulted during the international search (name of data base and, where practicable, search terms used)

C. DOCUMENTS CONSIDERED TO BE RELEVANT

Category *	Citation of document, with indication, where appropriate, of the relevant passages	Relevant to claim No.
A	US 5,115,905 A (HOLLINGER) 26 MAY 1992 (26.05.1992).	
A	US 5,188,216 A (SMITH et al) 23 FEBRUARY 1993 (23.02.1993).	
A	US 5,871,084 A (KASIK) 16 FEBRUARY 1999 (16.02.1999).	

Further documents are listed in the continuation of Box C. See patent family annex.

* Special categories of cited documents:		
"A" document defining the general state of the art which is not considered to be of particular relevance	"T"	later document published after the international filing date or priority date and not in conflict with the application but cited to understand the principle or theory underlying the invention
"E" earlier application or patent published on or after the international filing date	"X"	document of particular relevance; the claimed invention cannot be considered novel or cannot be considered to involve an inventive step when the document is taken alone
"L" document which may throw doubts on priority claim(s) or which is cited to establish the publication date of another citation or other special reason (as specified)	"Y"	document of particular relevance; the claimed invention cannot be considered to involve an inventive step when the document is combined with one or more other such documents, such combination being obvious to a person skilled in the art
"O" document referring to an oral disclosure, use, exhibition or other means		
"P" document published prior to the international filing date but later than the priority date claimed	"&"	document member of the same patent family

Date of the actual completion of the international search: 18 April 2005 (18.04.2005)
 Date of mailing of the international search report: 26 APR 2005

Name and mailing address of the ISA/US:
 Mail Stop PCT, Attn: ISA/US
 Commissioner for Patents
 P.O. Box 1450
 Alexandria, Virginia 22313-1450
 Facsimile No. (703) 305-3230

Authorized officer:
 Joseph Valenza *for*
 Telephone No. (703) 308-1113