



US00D905473S

(12) **United States Design Patent** (10) **Patent No.:** **US D905,473 S**
Moule (45) **Date of Patent:** **** *Dec. 22, 2020**

(54) **COMBINATION BED SHEET AND PILLOWCASE**

(71) Applicant: **Joseph Moule**, Orange, CT (US)

(72) Inventor: **Joseph Moule**, Orange, CT (US)

(*) Notice: This patent is subject to a terminal disclaimer.

(**) Term: **15 Years**

(21) Appl. No.: **29/690,249**

(22) Filed: **May 7, 2019**

(51) **LOC (12) Cl.** **06-13**

(52) **U.S. Cl.**
USPC **D6/602**; D6/601

(58) **Field of Classification Search**
USPC D6/382, 595, 596-605, 606, 607
CPC A47C 23/00; A47C 23/06; A47C 23/061;
A47C 23/062; A47C 23/66; A47C
23/067; A47C 23/068; A47C 19/02
See application file for complete search history.

(56) **References Cited**

U.S. PATENT DOCUMENTS

| | | | | | | |
|-----------|-----|---------|----------|-------|-------------|-------|
| 2,264,471 | A * | 12/1941 | Glenn | | A47G 9/062 | 5/419 |
| 2,462,780 | A * | 2/1949 | Schiller | | A47G 9/02 | 5/485 |
| 3,148,388 | A | 9/1964 | Espersen | | | |
| 3,689,947 | A * | 9/1972 | Wolf | | A47G 9/1045 | 5/419 |
| 4,014,055 | A | 3/1977 | Torres | | | |
| 4,231,125 | A * | 11/1980 | Tittel | | A47G 9/062 | 5/419 |
| D313,721 | S * | 1/1991 | Parker | | D6/605 | |
| D383,634 | S * | 9/1997 | Selph | | D6/596 | |

| | | | | | | |
|--------------|------|---------|----------------|-------|-------------|---------|
| 5,996,147 | A | 12/1999 | Trimble | | | |
| 6,845,532 | B1 * | 1/2005 | Rosenblum | | A47C 27/008 | 40/661 |
| D688,442 | S * | 8/2013 | Lesinski | | D2/719 | |
| D708,868 | S * | 7/2014 | Willoughby | | D6/602 | |
| D787,235 | S * | 5/2017 | Chiang | | D6/608 | |
| D793,771 | S | 8/2017 | Shea | | | |
| 9,924,812 | B1 | 3/2018 | Kennedy | | | |
| D833,776 | S * | 11/2018 | Casserly | | D6/603 | |
| D850,819 | S * | 6/2019 | Lloyd-Caldwell | | D6/603 | |
| 2004/0107500 | A1 * | 6/2004 | Pigg | | A47G 9/086 | 5/413 R |
| 2009/0077746 | A1 | 3/2009 | Wilson | | | |

FOREIGN PATENT DOCUMENTS

FR 2800255 5/2001

* cited by examiner

Primary Examiner — Jennifer L Rempfer

(57) **CLAIM**

I claim the ornamental design for a combination bed sheet and pillowcase, as shown and described.

DESCRIPTION

FIG. 1 is a top view of the combination bed sheet and pillowcase.

FIG. 2 is a bottom view of the claimed design.

FIG. 3 is a right side view of the claimed design.

FIG. 4 is a left side view of the claimed design.

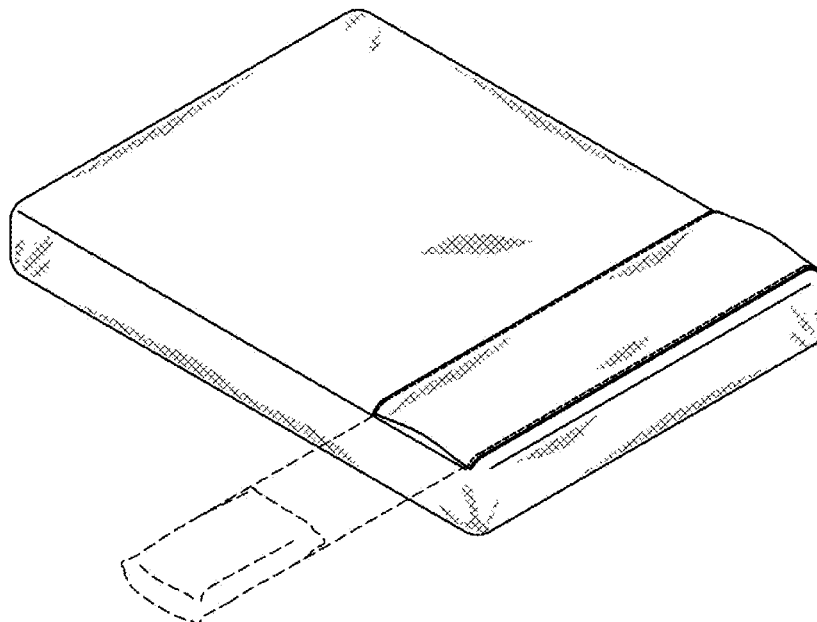
FIG. 5 is a front view of the claimed design.

FIG. 6 is a rear view of the claimed design; and,

FIG. 7 is a perspective view of the claimed design.

The long dash broken lines in FIG. 7 represent environmental subject matter showing claim in use and form not part of the claim. The short dot-dot broken lines represent claimed stitching.

1 Claim, 4 Drawing Sheets



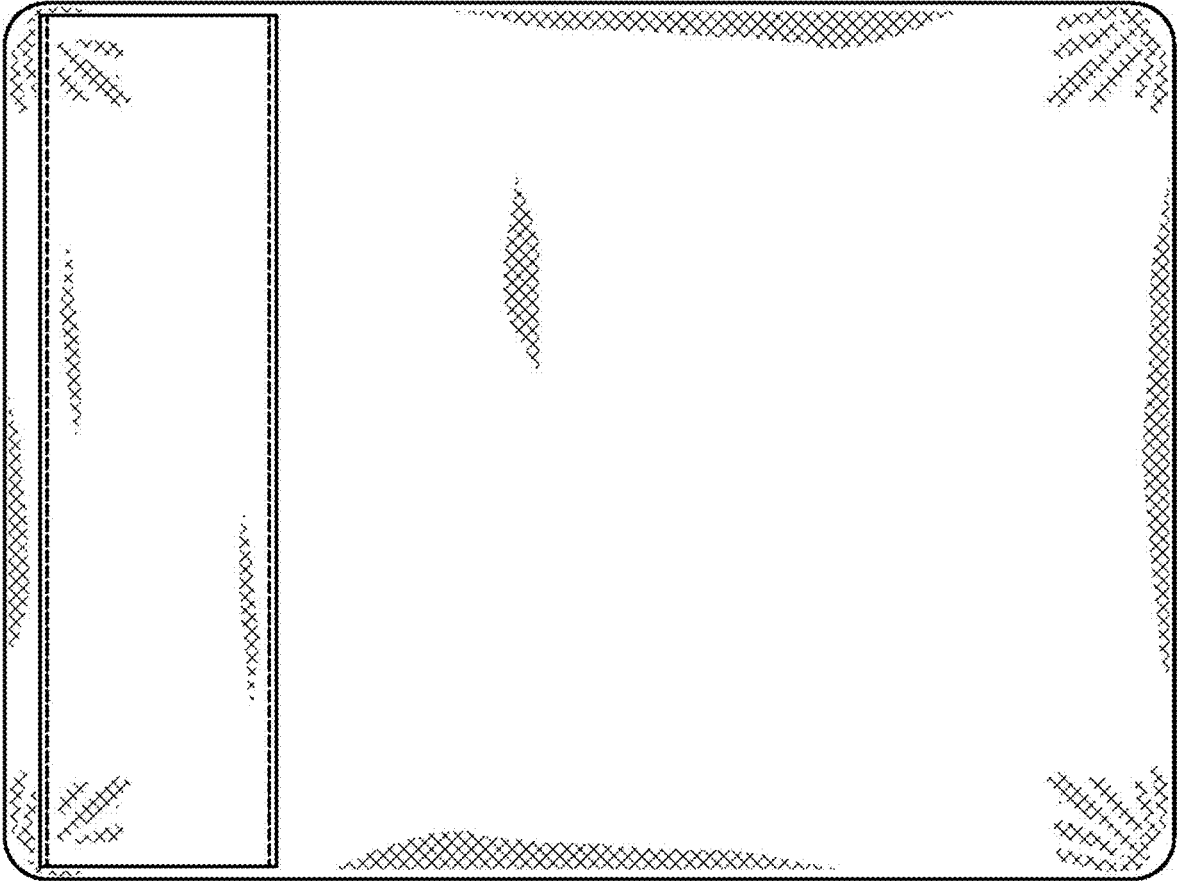


FIG. 1

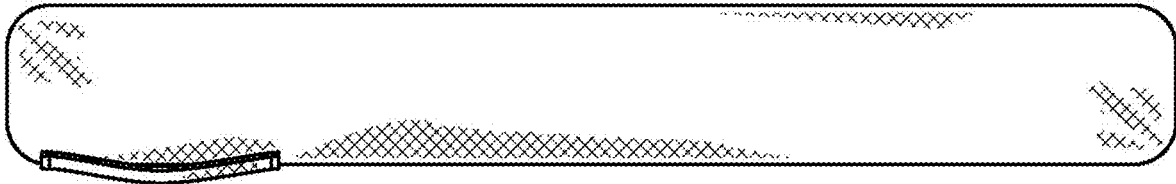


FIG. 3

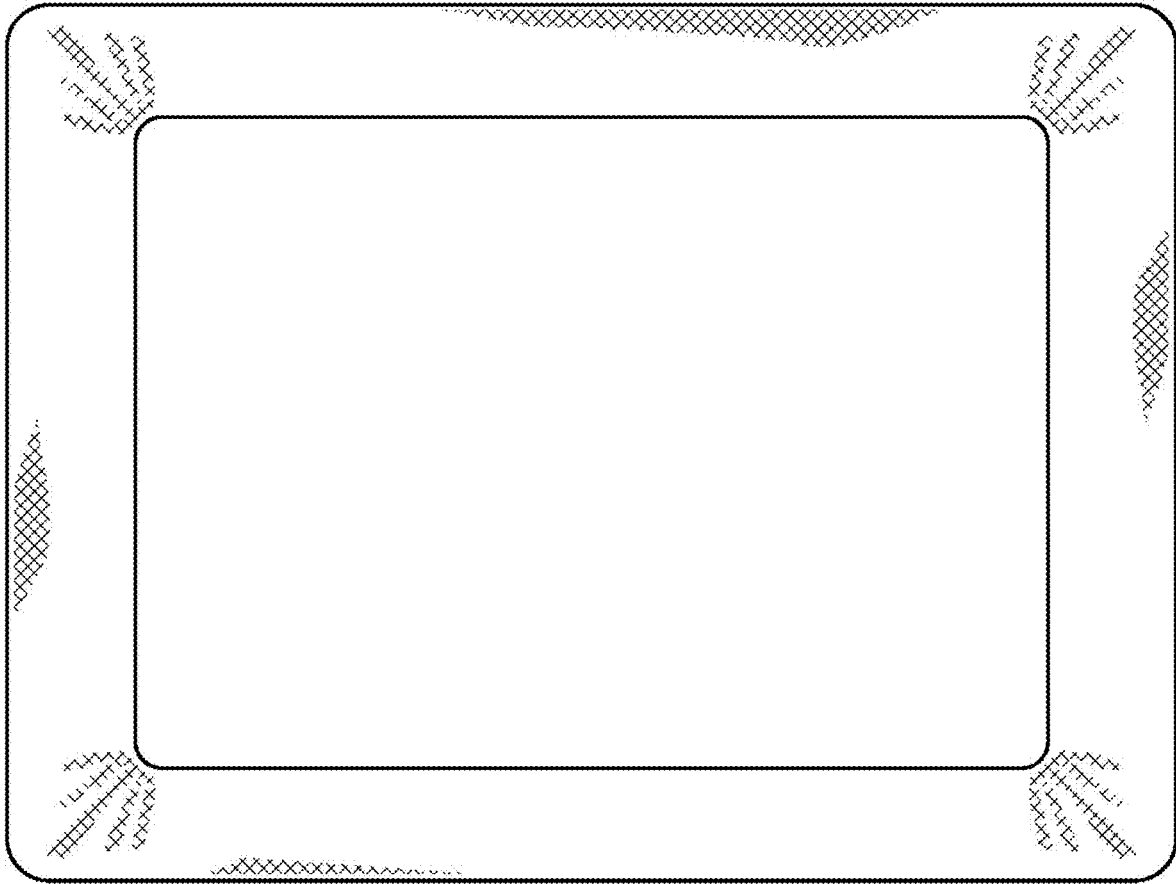


FIG. 2

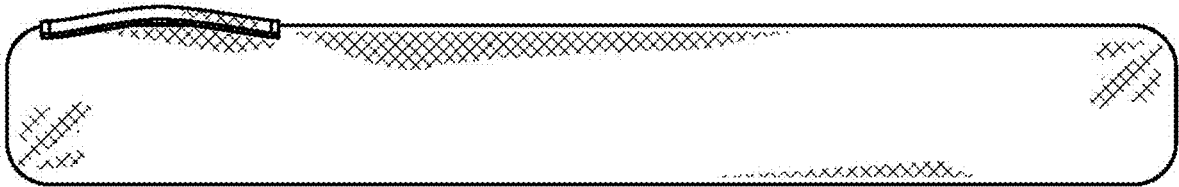


FIG. 4

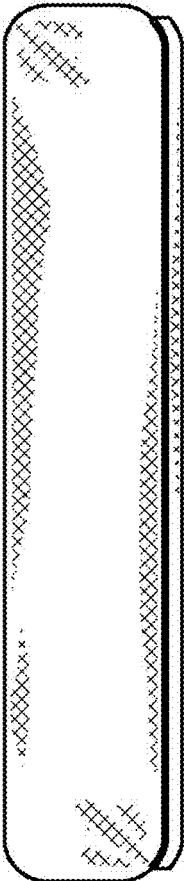


FIG. 5

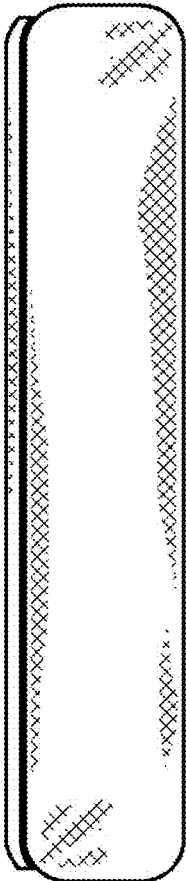


FIG. 6

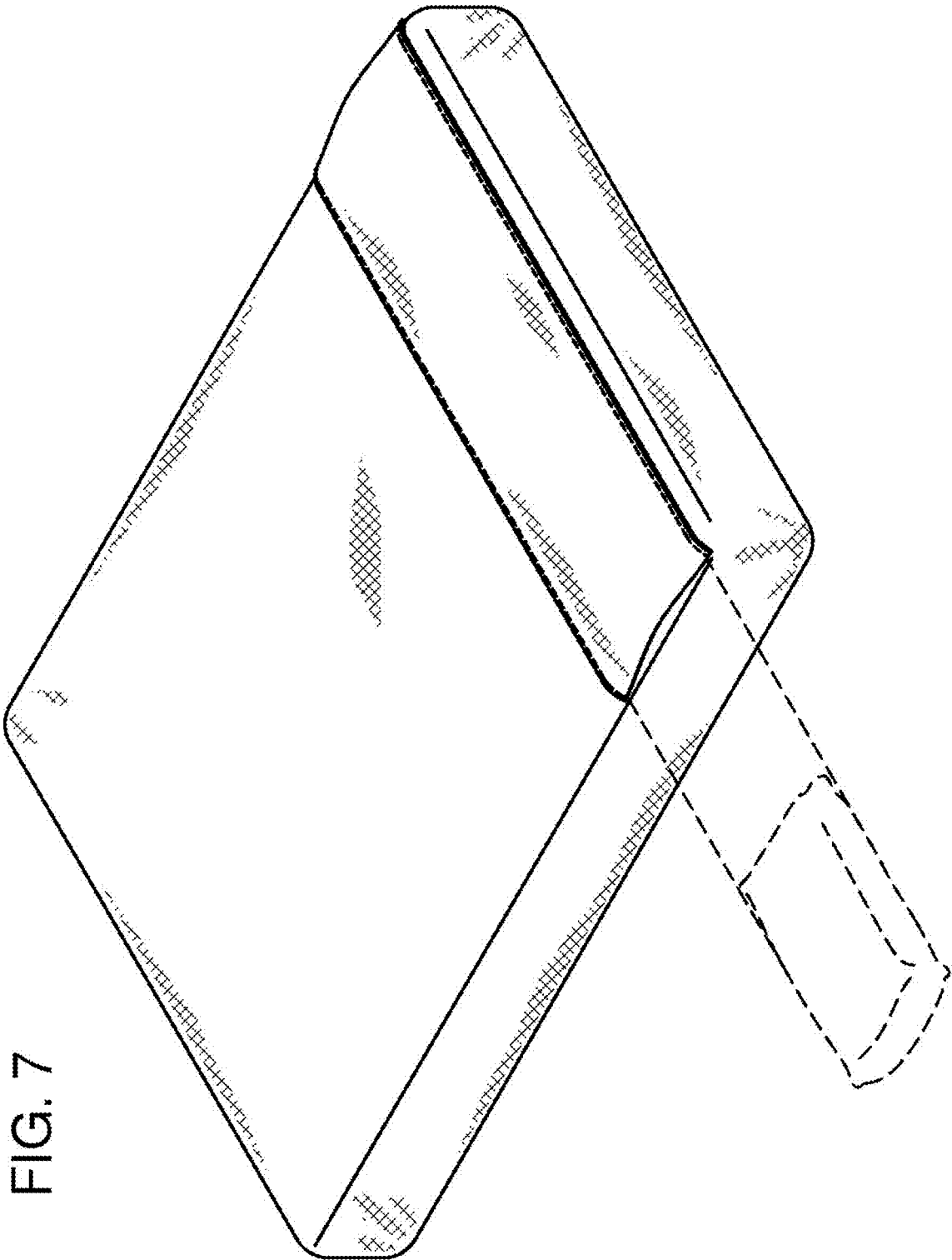


FIG. 7