



US00D871604S

(12) **United States Design Patent** (10) **Patent No.:** **US D871,604 S**
Rein et al. (45) **Date of Patent:** **** Dec. 31, 2019**

(54) **ANALYSIS UNIT**

(71) Applicant: **Robert Bosch GmbH**, Stuttgart (DE)
 (72) Inventors: **Stephan Rein**, Augsburg (DE);
Karsten Seidl, Gerlingen (DE); **Anette Ströh**, Berlin (DE); **Jochen Rupp**, Stuttgart (DE); **Fabian Baumann**, Berlin (DE); **Martin Schulz**, Winterbach (DE); **Jonas Breme**, Berlin (DE); **Jessica Behnsen**, München (DE); **Timm Kekeritz**, Berlin (DE); **Christian Dorrer**, Winnenden (DE)

(73) Assignee: **Robert Bosch GmbH**, Stuttgart (DE)

(**) Term: **15 Years**

(21) Appl. No.: **29/635,496**

(22) Filed: **Jan. 31, 2018**

(30) **Foreign Application Priority Data**

Aug. 4, 2017 (EM) 004133551

(51) **LOC (12) Cl.** **24-01**

(52) **U.S. Cl.**
USPC **D24/216**

(58) **Field of Classification Search**
 USPC D24/107, 185, 186, 216, 231–234;
 D10/81
 CPC G01N 21/0483; G01N 21/0303; G01N
 21/6428; G01N 21/6486; G01N
 35/00029; G01N 35/00019; G01N
 2035/00326; G01N 2201/061; B01L
 3/527; B01L 3/5027; B01L 2200/027;
 B01L 2300/0816; B01L 2300/0822

See application file for complete search history.

(56) **References Cited**

U.S. PATENT DOCUMENTS

D251,114 S *	2/1979	Potts	D10/103
D722,165 S *	2/2015	Pukall	D24/165
D731,662 S *	6/2015	Khan	D24/186
D819,470 S *	6/2018	Schueren	D10/81
D833,033 S *	11/2018	Foster	D24/233
D843,007 S *	3/2019	Schulz	D24/216

* cited by examiner

Primary Examiner — Anhdao Doan

(74) *Attorney, Agent, or Firm* — Maginot, Moore & Beck LLP

(57) **CLAIM**

The ornamental design for an analysis unit, as shown and described.

DESCRIPTION

Cross reference is made to copending U.S. design patent application Ser. No. 29/603,668 entitled “Analysis Unit” by Schulz et al., which was filed on May 11, 2017.

FIG. 1 is a perspective view of an analysis unit showing our new design;

FIG. 2 is a front elevational view of the analysis unit of FIG. 1;

FIG. 3 is a rear elevational view of the analysis unit of FIG. 1;

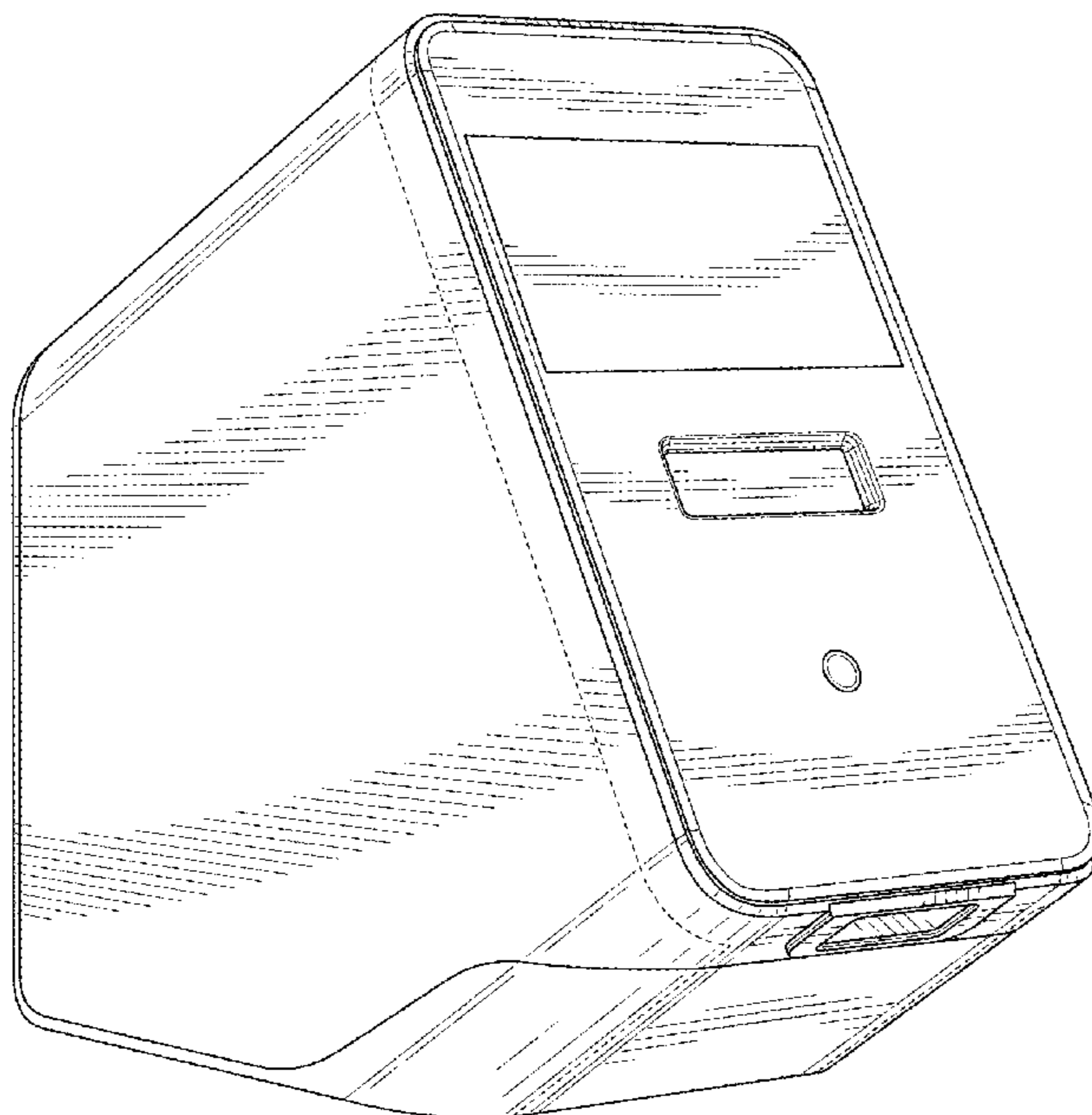
FIG. 4 is a right side elevational view of the analysis unit of FIG. 1;

FIG. 5 is a left side elevational view of the analysis unit of FIG. 1;

FIG. 6 is a top plan view of the analysis unit of FIG. 1; and, FIG. 7 is a bottom plan view of the analysis unit of FIG. 1.

The broken lines shown in the drawings illustrate portions of the analysis unit that form no part of the claimed design.

1 Claim, 7 Drawing Sheets



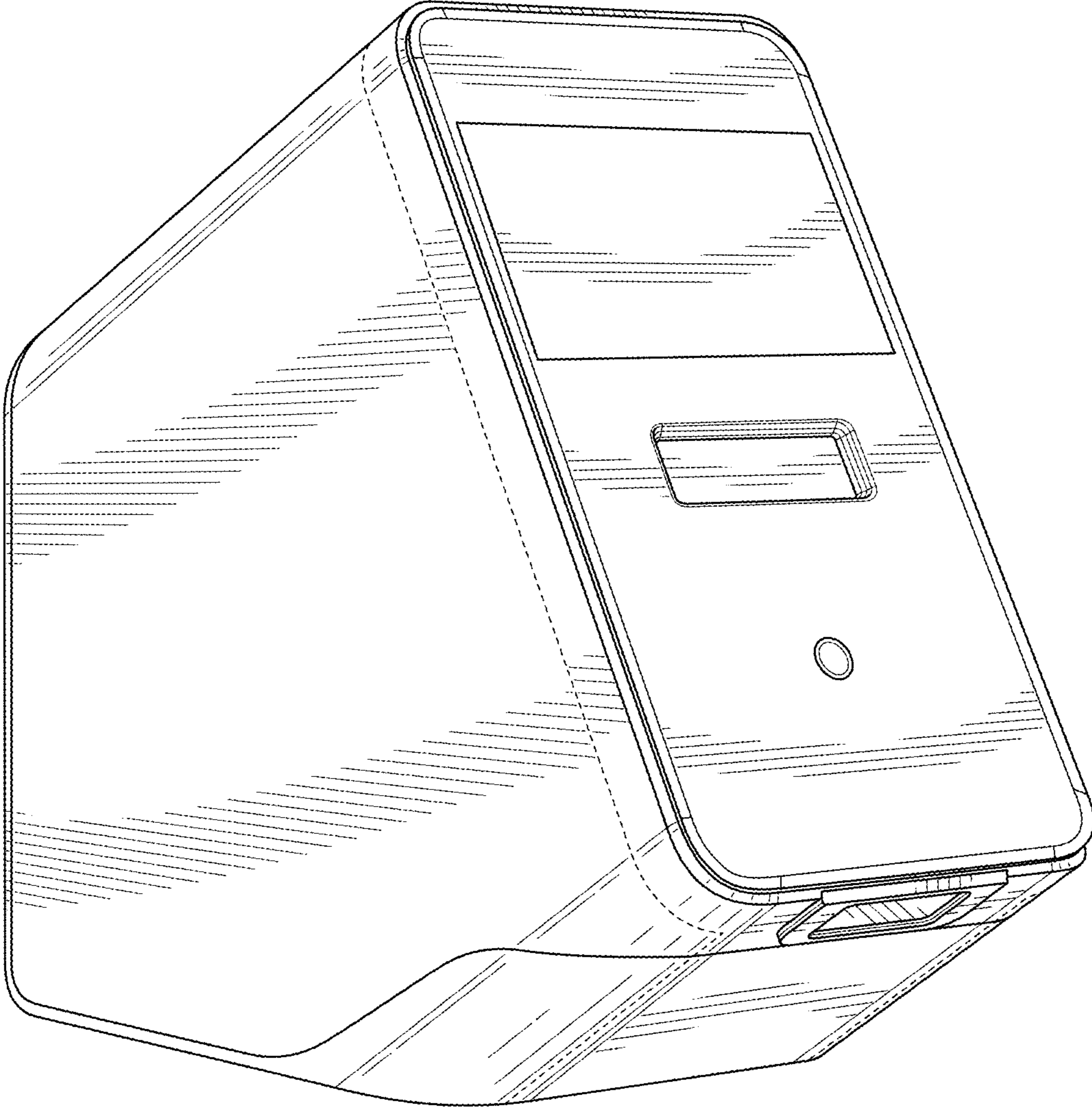


FIG. 1

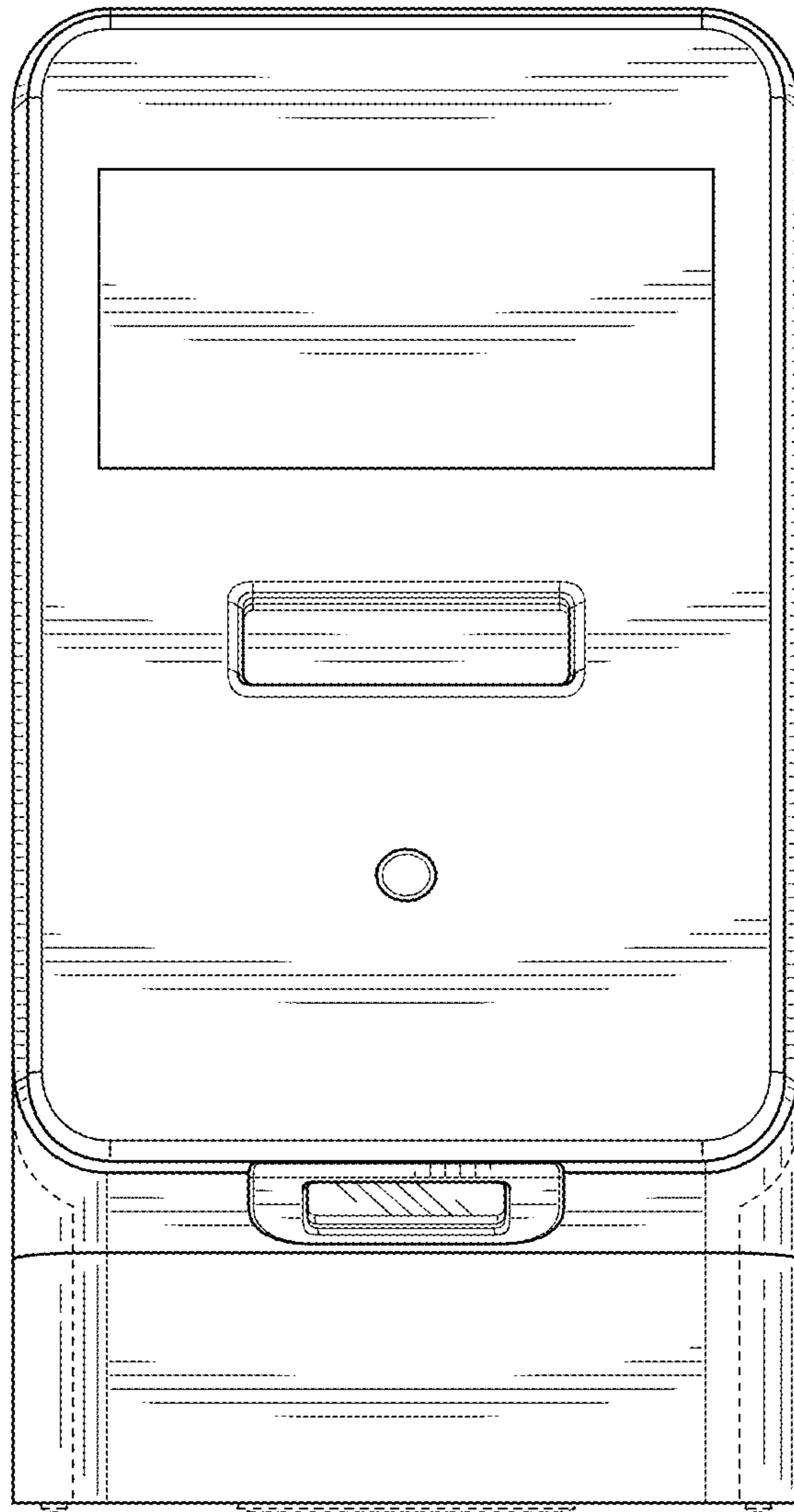


FIG. 2

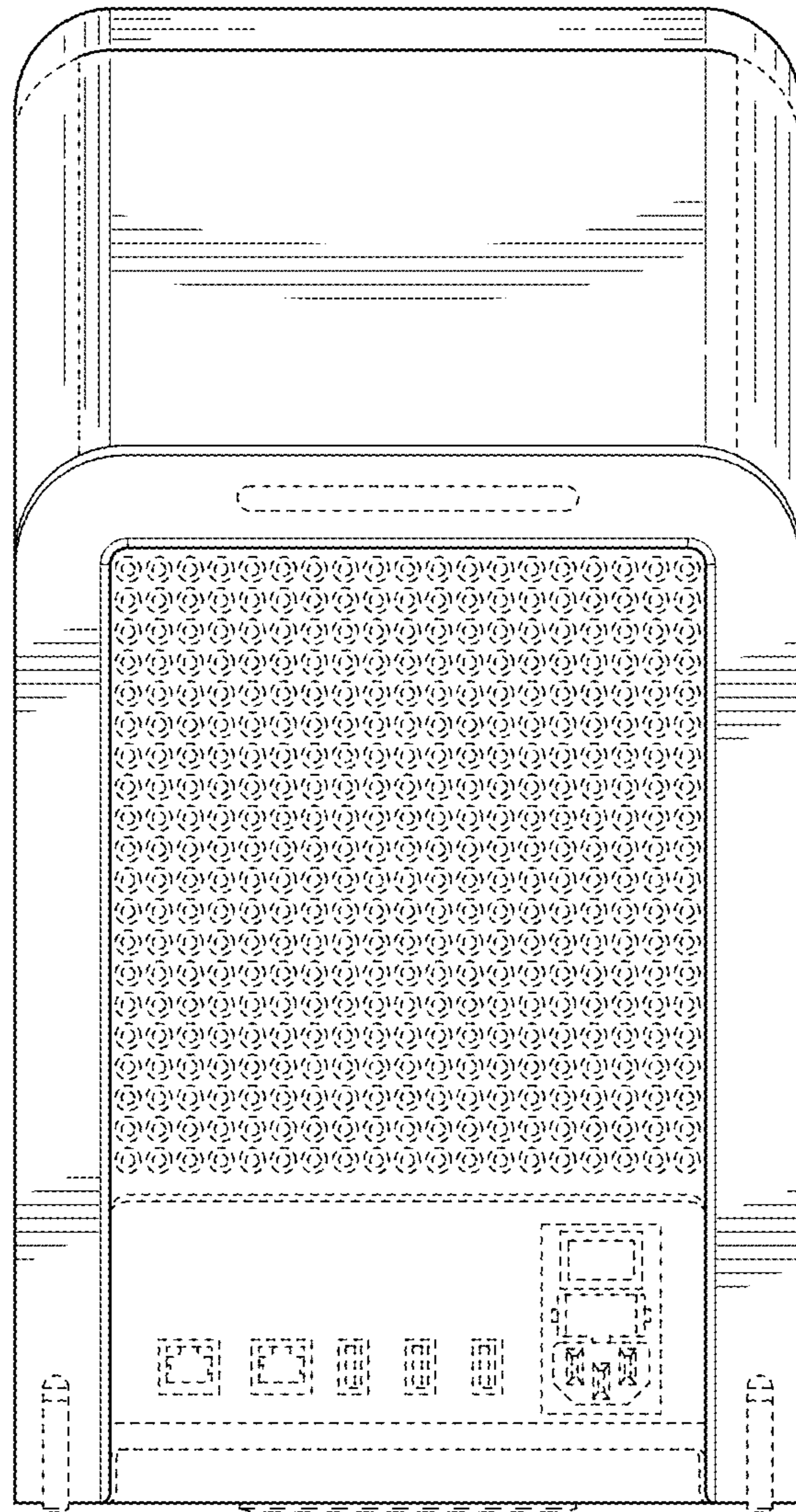


FIG. 3

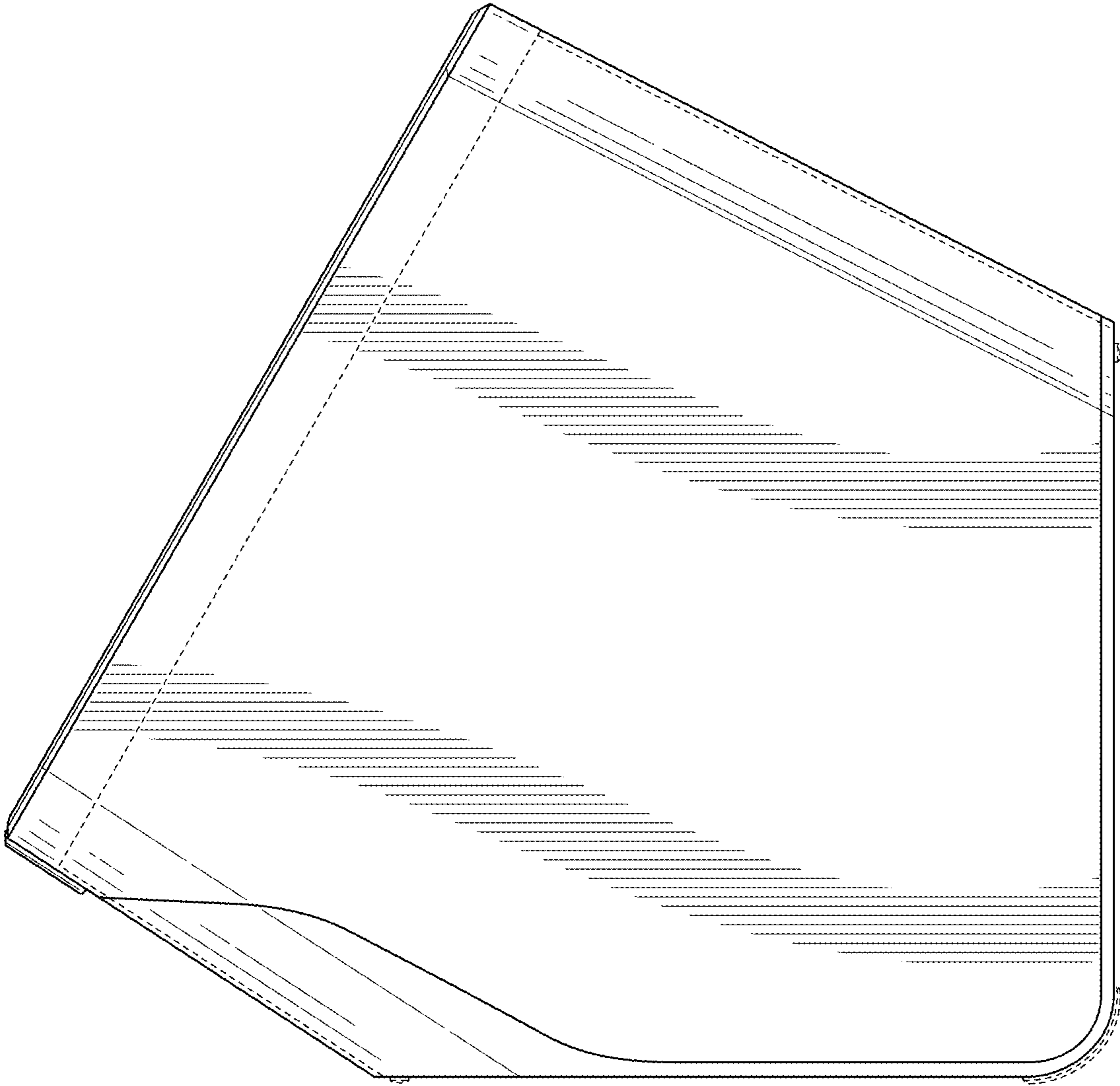


FIG. 4

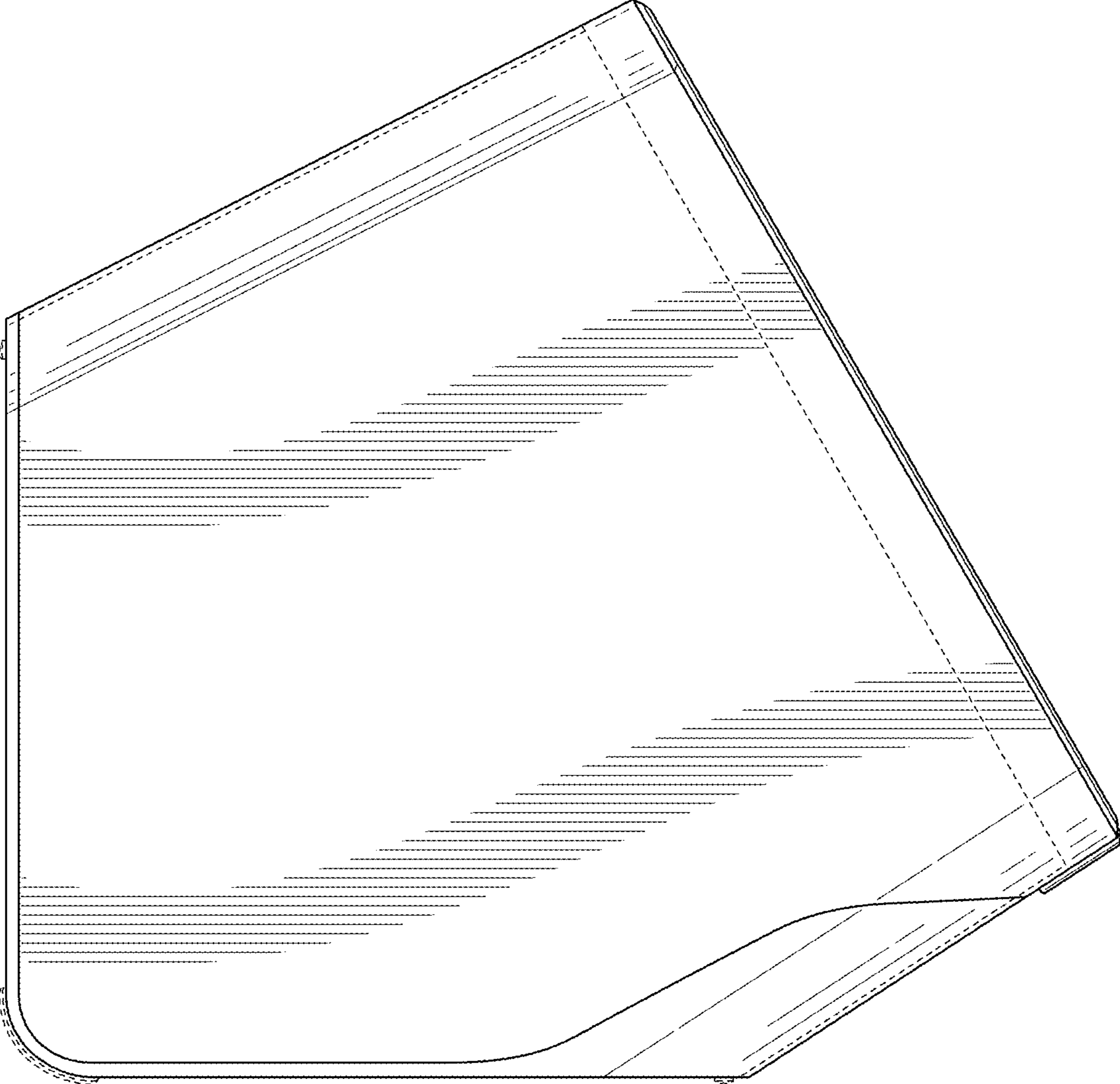


FIG. 5

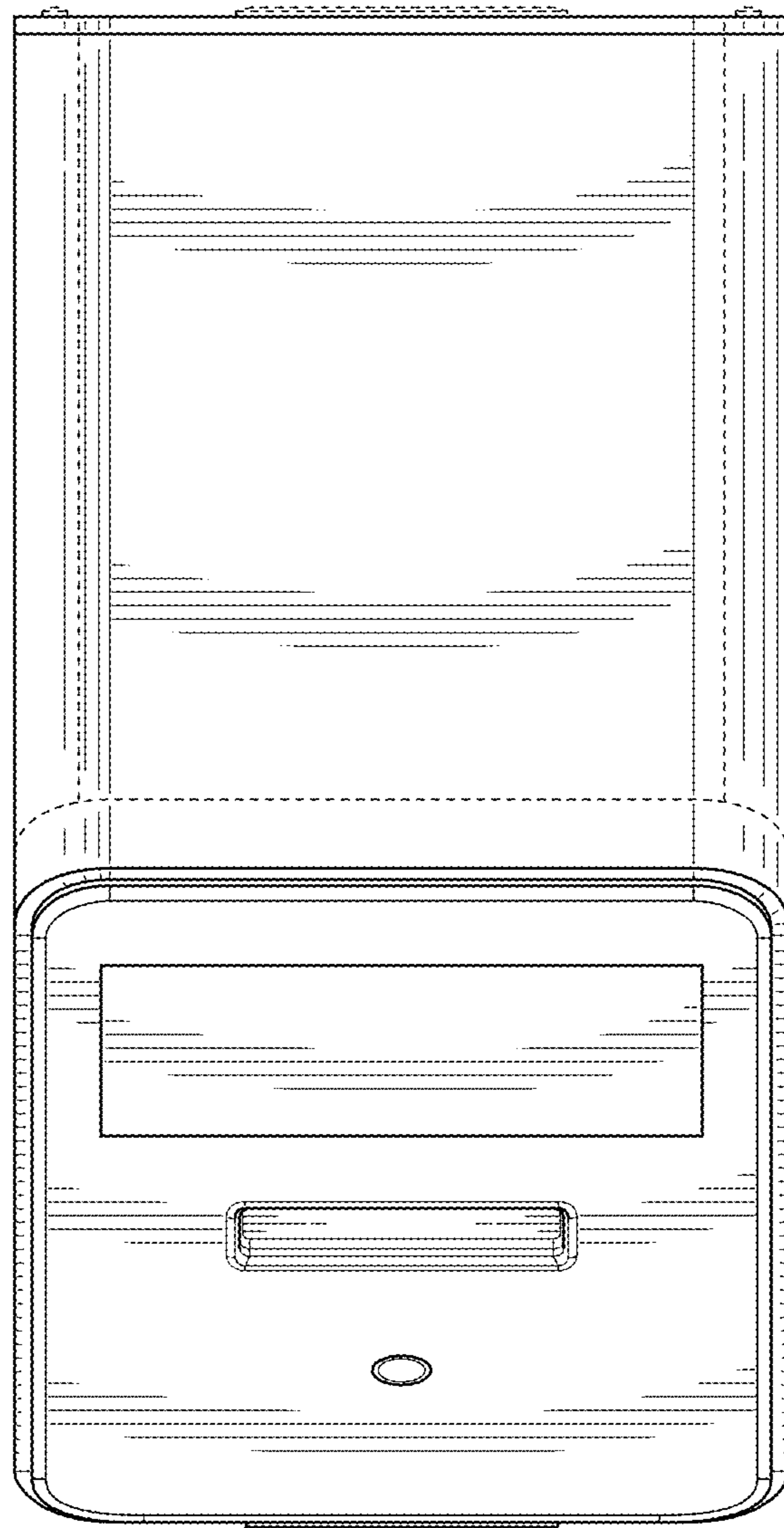


FIG. 6

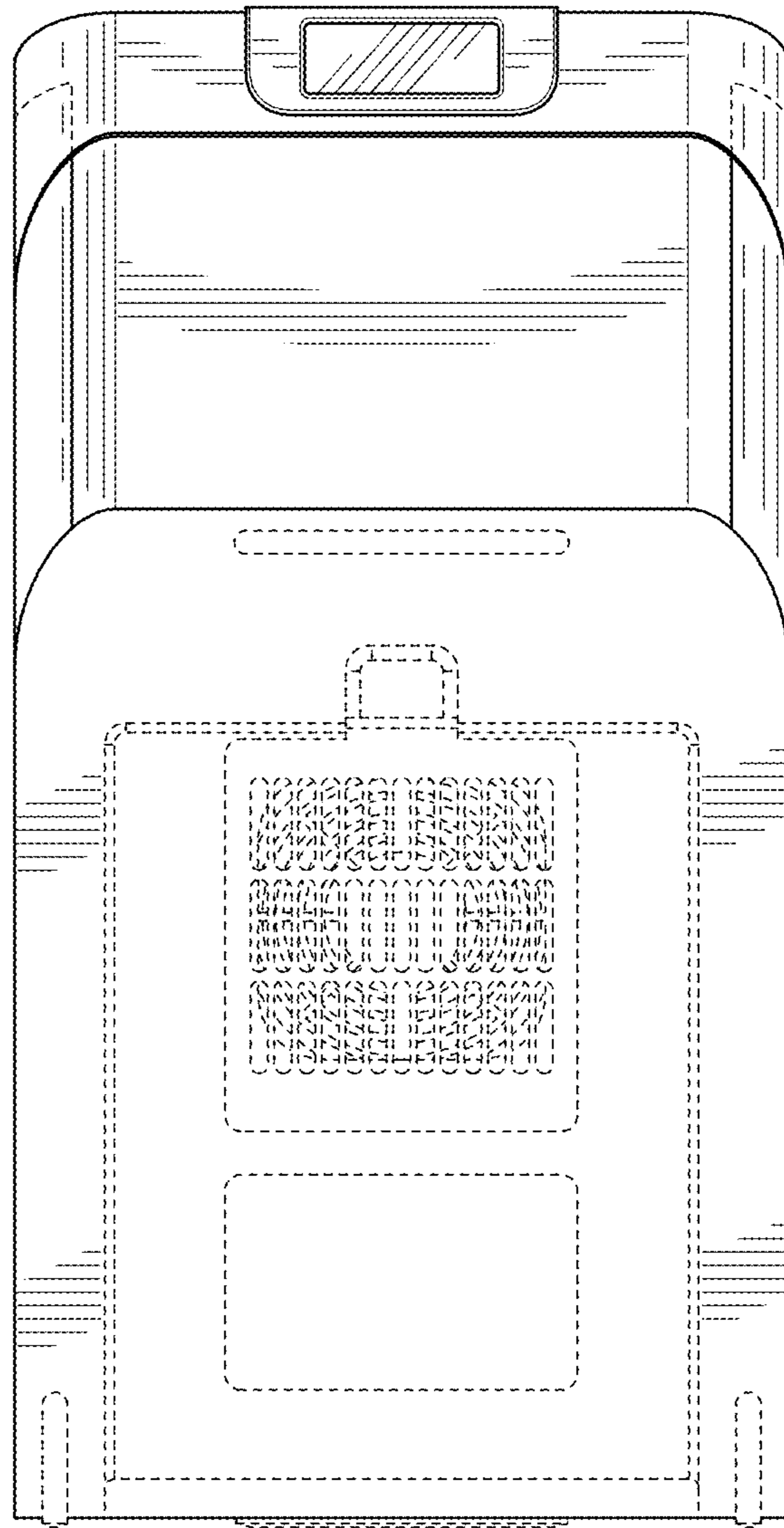


FIG. 7