

[54] MODULAR DESK

[76] Inventors: Peter H. Wright, 47 Alvarado St., Berkeley, Calif. 94705; Ralph G. Panecaldo, 2682 Hillgard St., Berkeley, Calif. 94709

[**] Term: 14 Years

[21] Appl. No.: 724,372

[22] Filed: Sep. 17, 1976

[51] Int. Cl. D6-04
[52] U.S. Cl. D6/161
[58] Field of Search D6/159-167, D6/181, 186; D26/5 R, 5 C

[56]

References Cited

U.S. PATENT DOCUMENTS

D. 191,453 10/1961 Abrahamson D6/161
D. 239,679 4/1976 Szucs D6/161
D. 240,580 7/1976 Podell D6/167 X

OTHER PUBLICATIONS

Interiors, 9-1961, p. 144, desk in Panel 2 by Bagnall.

Primary Examiner—Bruce W. Dunkins

Attorney, Agent, or Firm—Ernest H. McCoy

[57]

CLAIM

The ornamental design for a modular desk, as shown.

DESCRIPTION

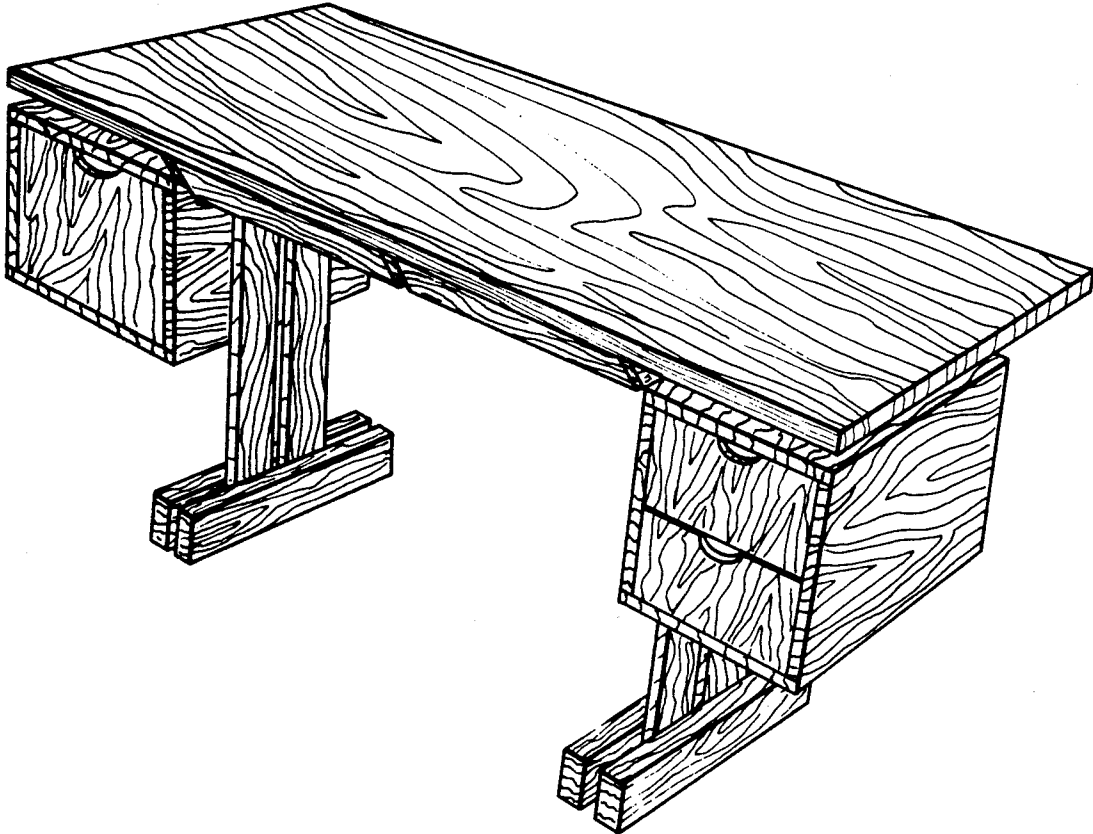
FIG. 1 is a perspective view of the modular desk according to my design.

FIG. 2 is a front elevational view thereof.

FIG. 3 is a side elevational view thereof.

FIG. 4 is a top plan view thereof.

FIG. 5 is a bottom plan view thereof.



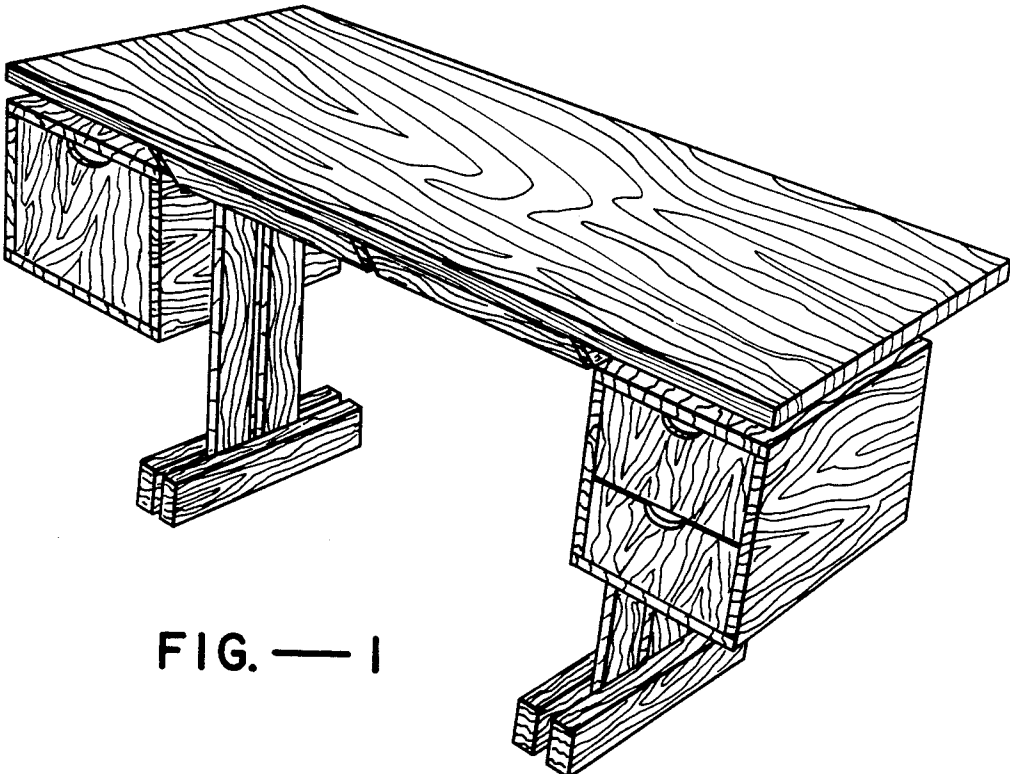


FIG. — 1

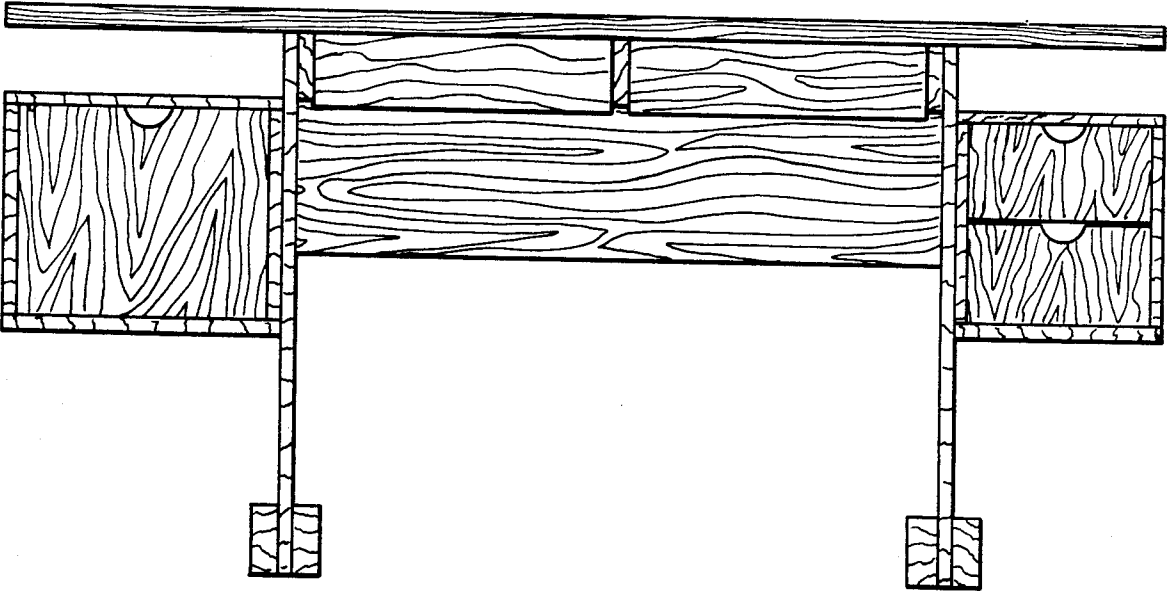


FIG. — 2

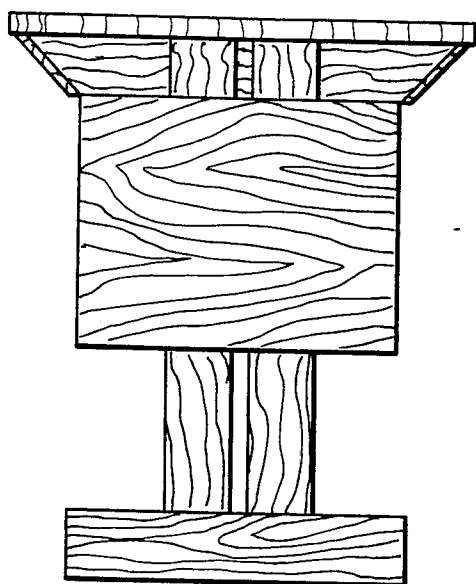


FIG. — 3

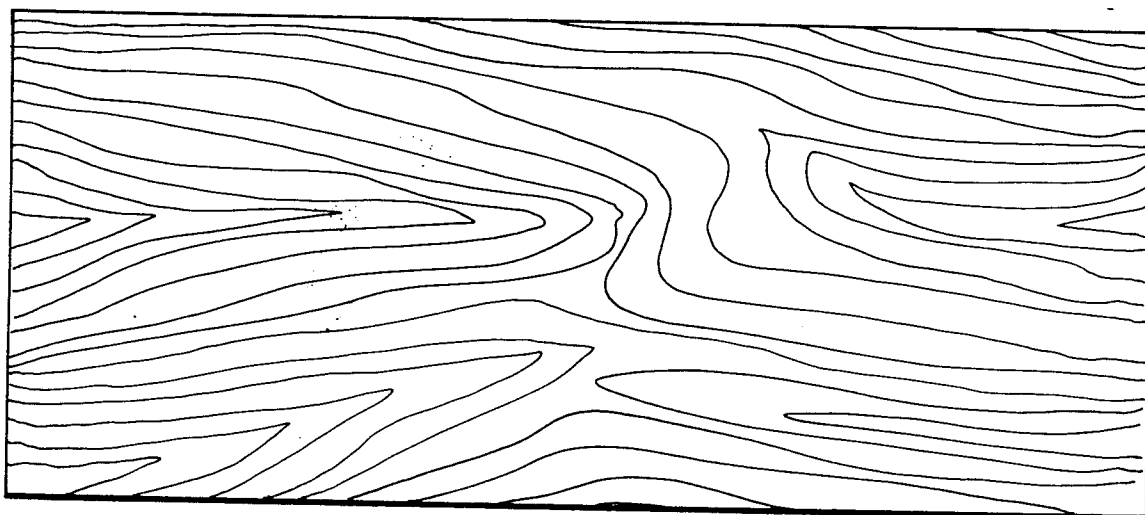


FIG. — 4

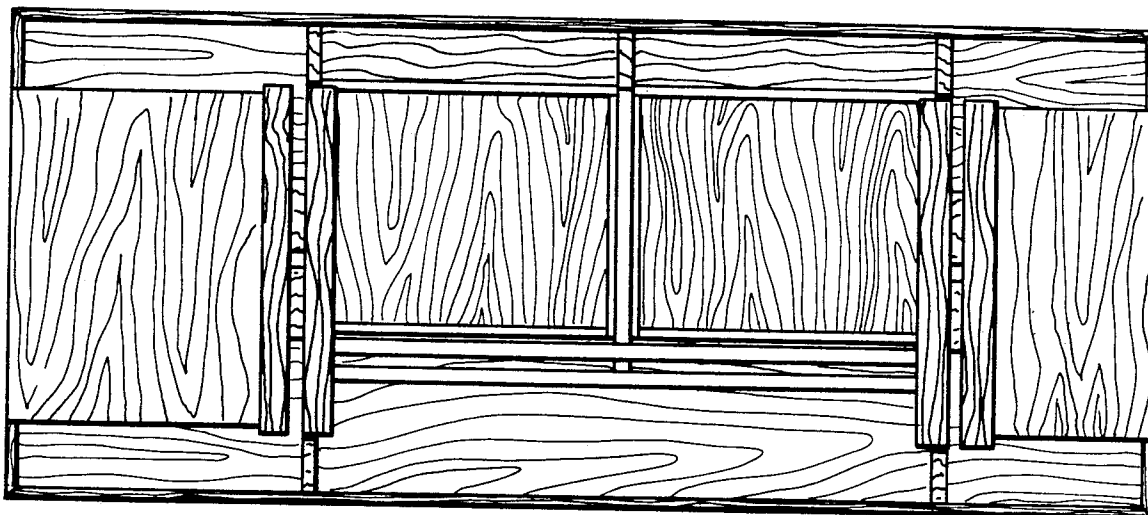


FIG. — 5