



US00D361076S

# United States Patent [19]

[11] Patent Number: Des. 361,076

Shadeck et al.

[45] Date of Patent: \*\* Aug. 8, 1995

[54] CHUCK

### FOREIGN PATENT DOCUMENTS

[75] Inventors: **Louis M. Shadeck, Anderson; Robert O. Huff, Piedmont; Valerie D. Owens, Townville, all of S.C.**

2606691 5/1988 France .

[73] Assignee: **Power Tool Holders Incorporated, Wilmington, Del.**

### OTHER PUBLICATIONS

[\*\*] Term: **14 Years**

The following Jacobs® Manufacturing Company drawings: Nos. 96-030413 dated Aug. 9, 1990, 96-030420 dated May 9, 1990, 96-030643 dated Jul. 18, 1990, 96-030667 dated Sep. 14, 1990, 96-080678 daed Oct. 19, 1990, 96-030679 dated Oct. 29, 1990, 96-030684 dated Nov. 28, 1990, 96-030715 dated Apr. 12, 1991, 96-030732 dated Dec. 11, 1991, 96-030736 dated Sep. 30, 1991, 96-030742 dated Oct. 25, 1991, 96-030748 dated Nov. 13, 1991, 96-030752 dated Nov. 12, 1991, 96-030758 dated Nov. 19, 1991, 96-030772 dated Nov. 19, 1991, 96-030775 dated Jan. 6, 1992, 96-030809 dated Mar. 12, 1992, 96-030816 dated May 26, 1992, 96-031040 dated Jan. 14, 1993, 96-031087 dated Mar. 25, 1993, 96-0310087 dated Mar. 25, 1993, 96-031213 dated Aug. 26, 1993, 96-031214 dated Aug. 27, 1993, 96-031215 dated Aug. 27, 1993, 96-P3072 dated Nov. 17, 1992, 96-P0751 dated Mar. 1, 1993.

[21] Appl. No.: **23,910**

[22] Filed: **Jun. 3, 1994**

[52] U.S. Cl. .... **D15/140**

[58] Field of Search ..... D15/140; 279/60-63, 279/157, 901, 902

Jacobs Manufacturing Co. Drawing: 96-030677; Sep. 29, 1990.

### [56] References Cited

#### U.S. PATENT DOCUMENTS

- D. 293,296 12/1987 Chaney .
- D. 328,556 8/1992 Fushiya et al. .
- D. 332,208 1/1993 Sakamoto et al. .
- D. 333,080 2/1993 Fushiya et al. .
- 913,059 2/1909 Savage .
- 1,476,903 12/1923 McCornell .
- 1,773,034 8/1930 Englund .
- 1,784,002 12/1930 Englund .
- 3,807,745 4/1974 Bent .
- 4,381,116 4/1983 Futter .
- 4,695,065 9/1987 Komatsu et al. .
- 4,835,563 6/1989 Röhm ..... 279/69 X
- 4,848,779 7/1989 Wheeler et al. .
- 4,951,955 8/1990 Sakamaki .
- 5,009,439 4/1991 Sakamaki .
- 5,031,925 7/1991 Tatsu et al. .
- 5,044,643 9/1991 Nakamura .
- 5,145,192 9/1992 Röhm ..... 279/62
- 5,158,306 10/1992 Röhm . .
- 5,234,223 8/1993 Sakamaki .
- 5,286,041 2/1994 Röhm ..... 279/62 X
- 5,324,050 6/1994 Kanaan ..... 279/157 X
- 5,348,318 9/1994 Steadings et al. .

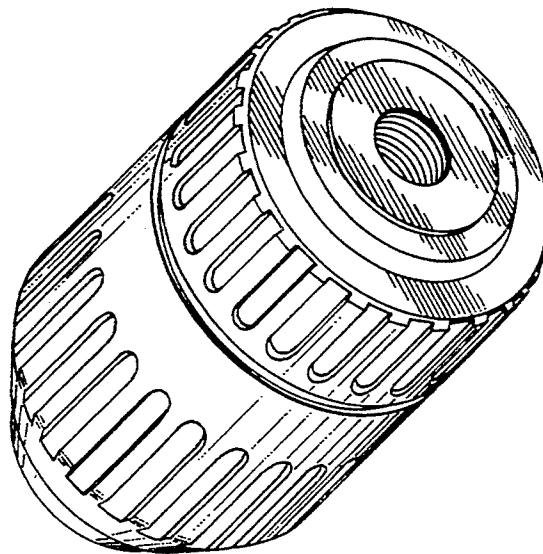
*Primary Examiner*—Antoine Duval Davis  
*Attorney, Agent, or Firm*—Dority & Manning

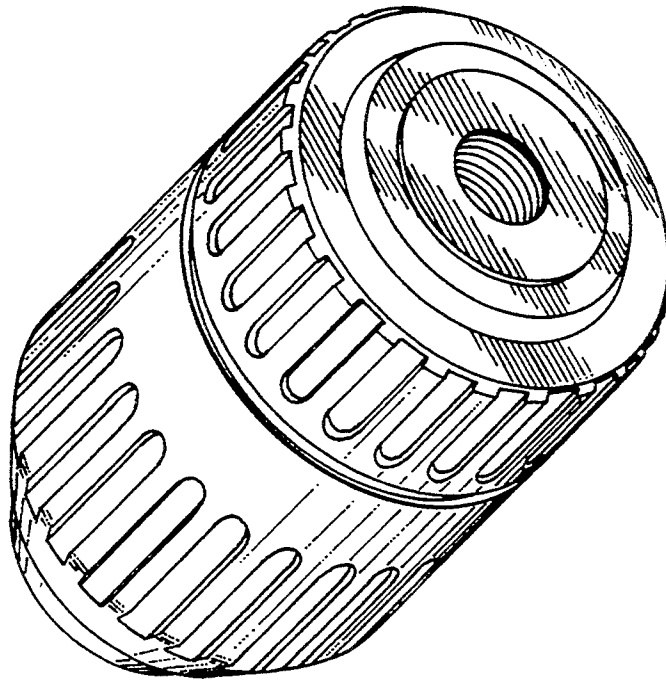
### [57] CLAIM

The ornamental design of a chuck, as shown and described.

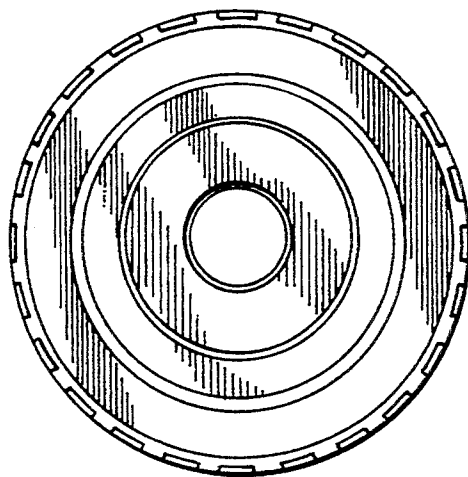
### DESCRIPTION

FIG. 1 is a perspective view of a chuck embodying the design of the present invention;  
FIG. 2 is a bottom or rear view of the chuck illustrated in FIG. 1;  
FIG. 3 is a side view of the chuck of FIG. 1; and,  
FIG. 4 is a top or front view of the chuck illustrated in FIG. 1.

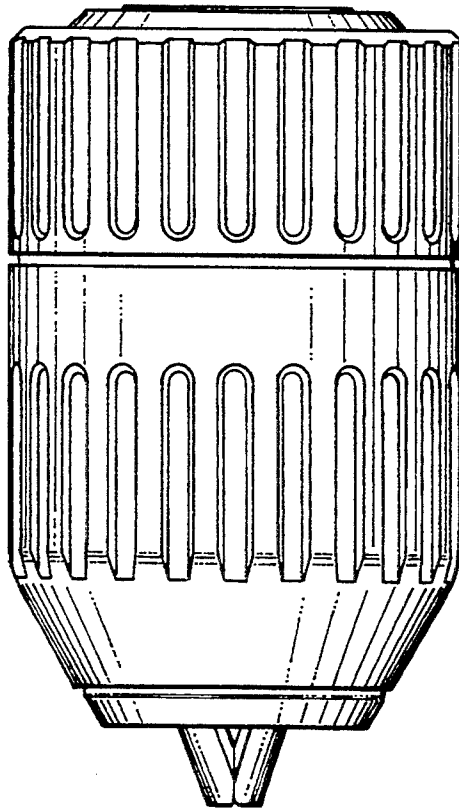




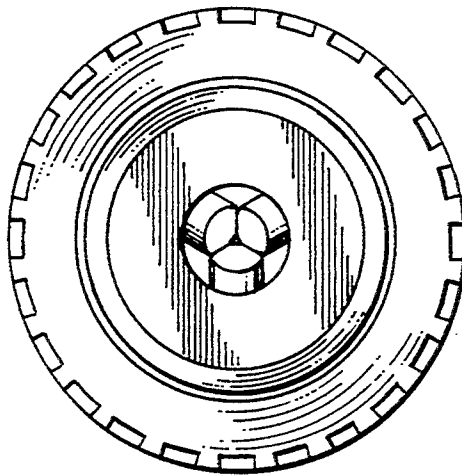
*Fig. 1*



*Fig. 2*



*Fig. 3*



*Fig. 4*