



US00D881254S

(12) **United States Design Patent**  
**Guo**

(10) **Patent No.:** **US D881,254 S**

(45) **Date of Patent:** **\*\* Apr. 14, 2020**

(54) **DASHBOARD CAMERA**

(71) Applicant: **Shenzhen Cnest Electronic Technology Co., Ltd.,** Shenzhen (CN)

(72) Inventor: **Lei Guo,** Shenzhen (CN)

(73) Assignee: **Shenzhen Cnest Electronic Technology Co., Ltd.,** Shenzhen (CN)

(\*\*) Term: **15 Years**

(21) Appl. No.: **29/677,536**

(22) Filed: **Jan. 22, 2019**

(51) **LOC (12) Cl.** ..... **16-01**

(52) **U.S. Cl.**

USPC ..... **D16/202**

(58) **Field of Classification Search**

USPC ..... D16/200, 202–206, 208–209, 212, 218,  
D16/219; 348/373–376; 396/448, 535,  
396/539–541

CPC ..... G03B 15/03; G03B 17/02; G03B 17/04;  
G03B 17/56; G03B 19/04; H04N 5/2251;  
H04N 5/2252; H04N 5/2253; H04N  
5/2254; H04N 2101/00

See application file for complete search history.

(56) **References Cited**

**U.S. PATENT DOCUMENTS**

D750,686 S \* 3/2016 Chen ..... D16/218  
D766,351 S \* 9/2016 Li ..... D16/202  
D772,966 S \* 11/2016 Song ..... D16/200

D791,848 S \* 7/2017 Zhu ..... D16/200  
D816,753 S \* 5/2018 Zhang ..... D16/202  
D836,696 S \* 12/2018 Zhang ..... D16/202  
D837,865 S \* 1/2019 Parfitt ..... D16/219  
D849,084 S \* 5/2019 Hu ..... D16/202  
D850,513 S \* 6/2019 Gan ..... D16/218  
D852,255 S \* 6/2019 Guo ..... D16/202  
D854,597 S \* 7/2019 Gao ..... D16/202  
D857,076 S \* 8/2019 Gan ..... D16/202  
D868,871 S \* 12/2019 Nguyen ..... D16/218

\* cited by examiner

*Primary Examiner* — Ramzi S Almatrahi

(74) *Attorney, Agent, or Firm* — ScienBiziP, P.C.

(57) **CLAIM**

The ornamental design for a dashboard camera, as shown and described.

**DESCRIPTION**

FIG. 1 is a top, front and right side perspective view of a dashboard camera showing my new design;

FIG. 2 is a bottom, rear and left side perspective view thereof;

FIG. 3 is a front elevation view thereof;

FIG. 4 is a rear elevation view thereof;

FIG. 5 is a left side elevation view thereof;

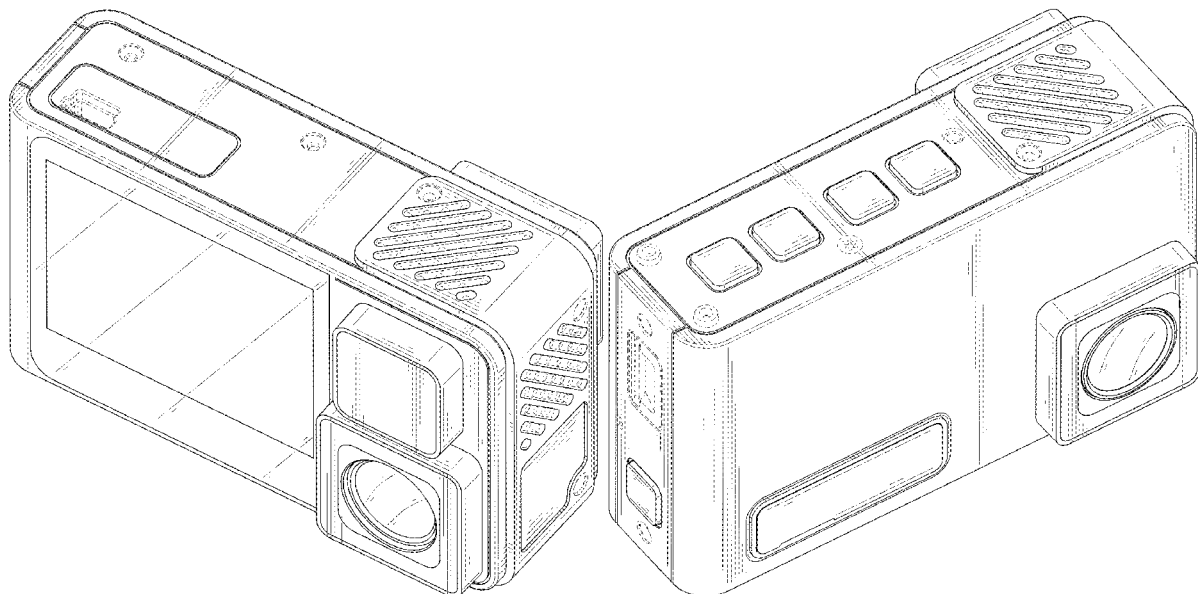
FIG. 6 is a right side elevation view thereof;

FIG. 7 is a top plan view thereof; and,

FIG. 8 is a bottom plan view thereof.

The broken lines are for the purpose of illustrating portions of the dashboard camera that forms no part of the claimed design.

**1 Claim, 8 Drawing Sheets**



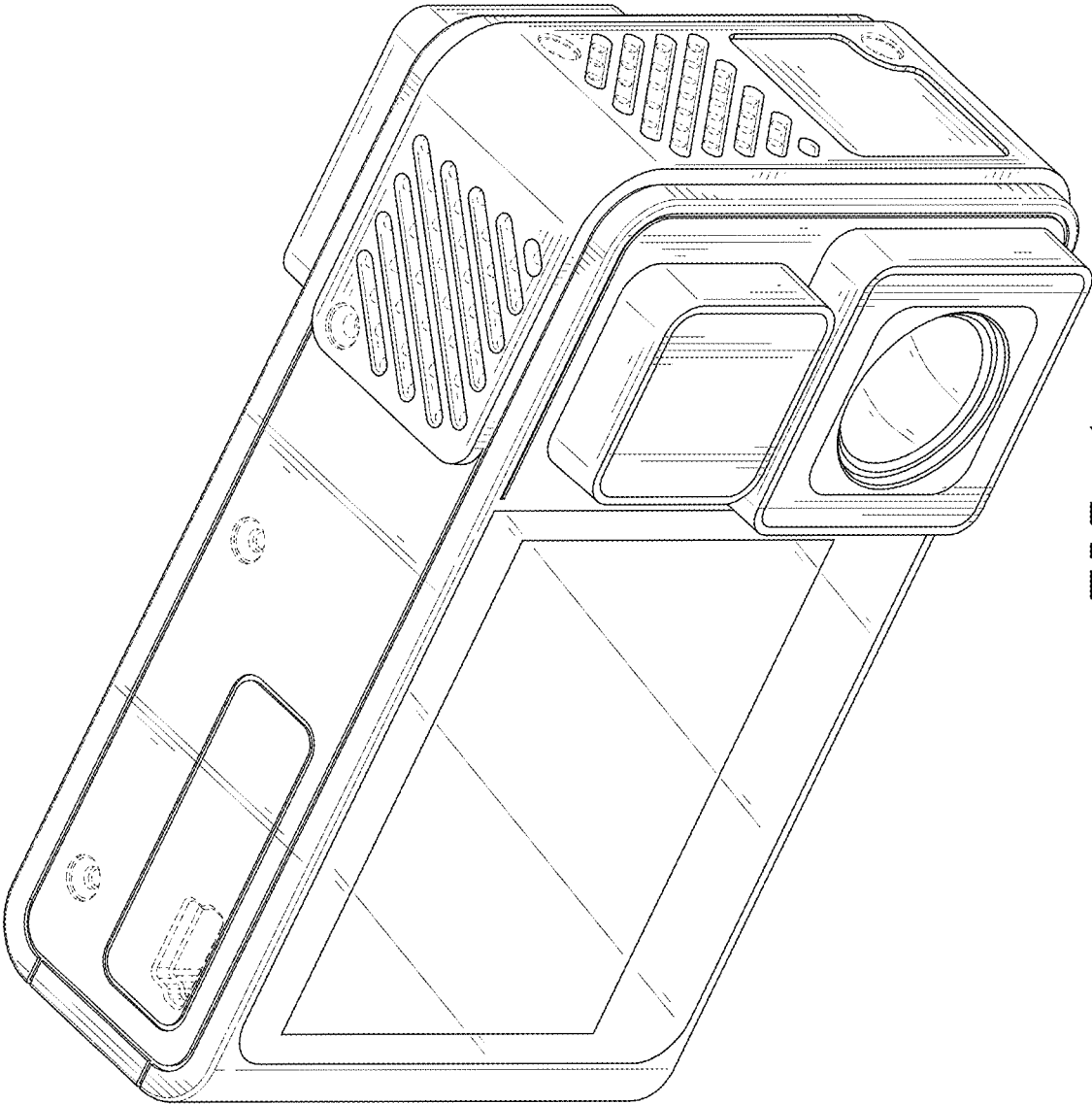


FIG. 1

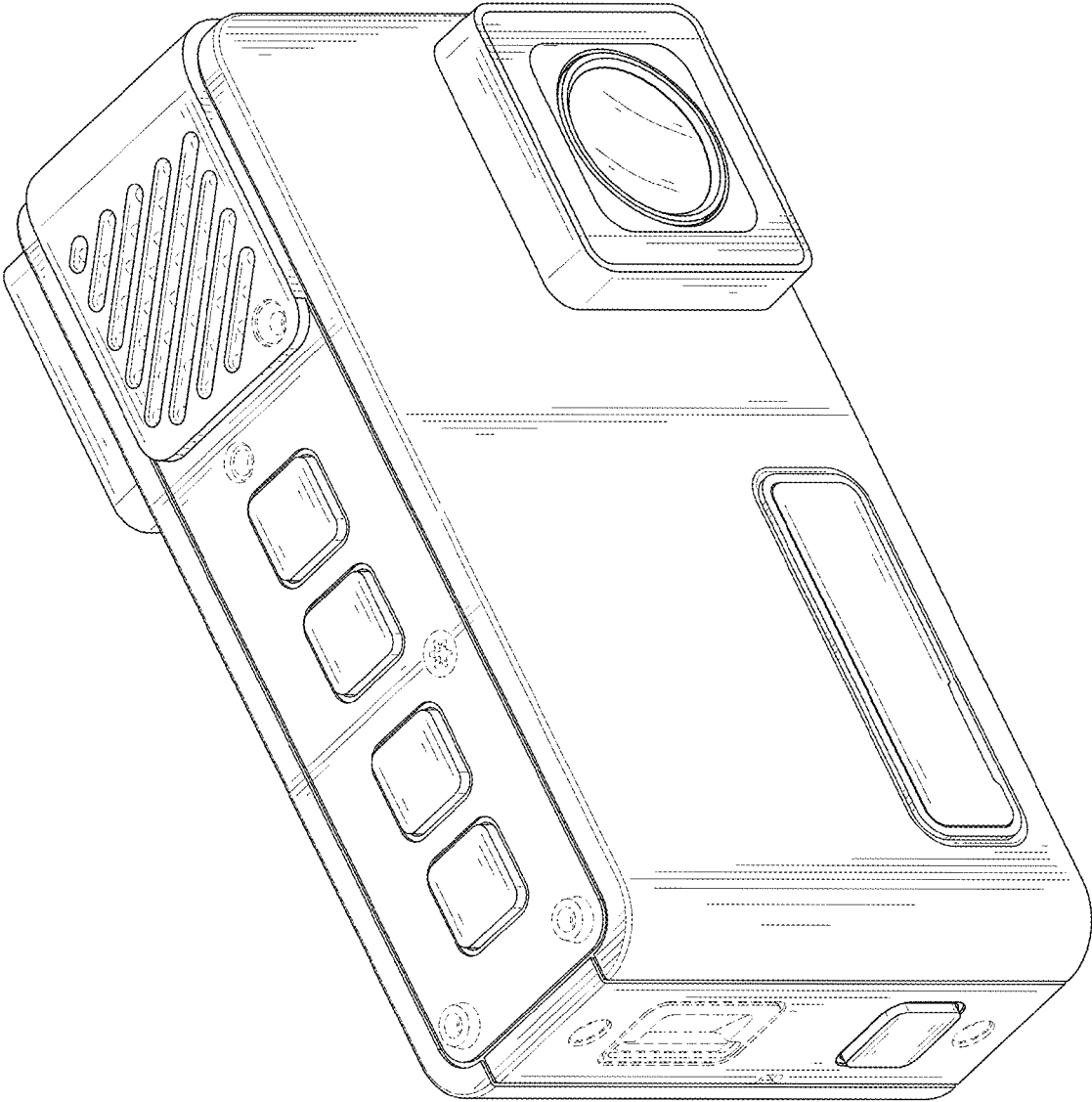


FIG. 2

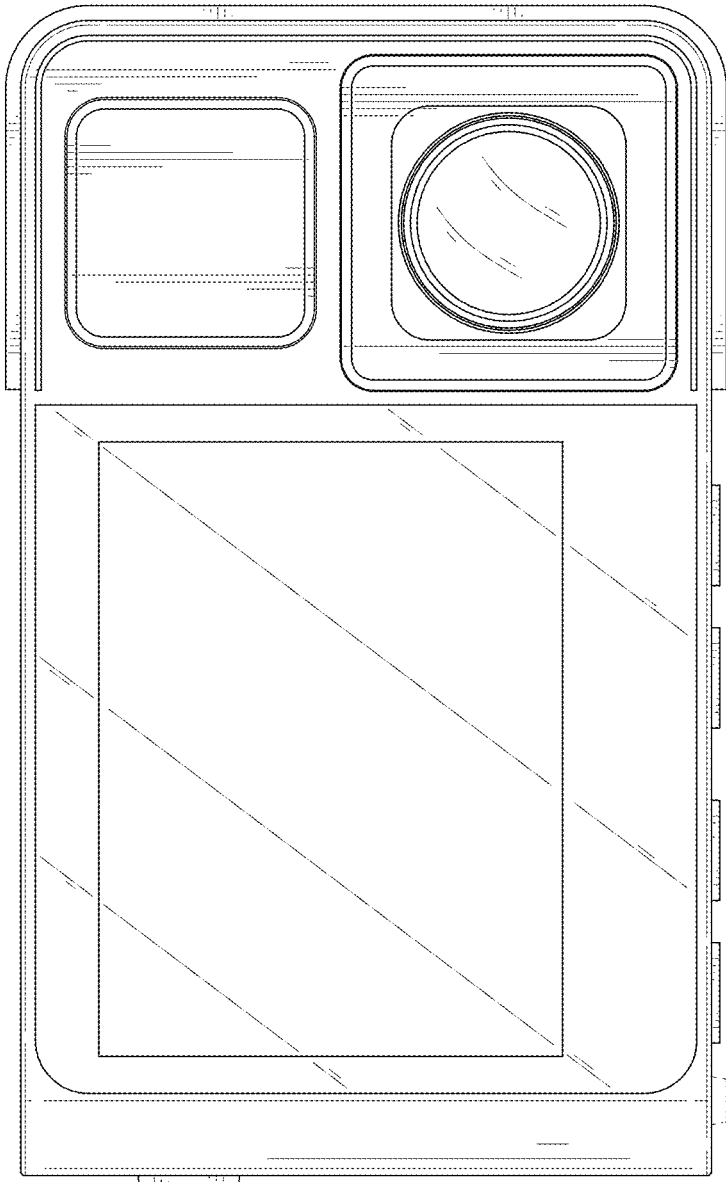


FIG. 3

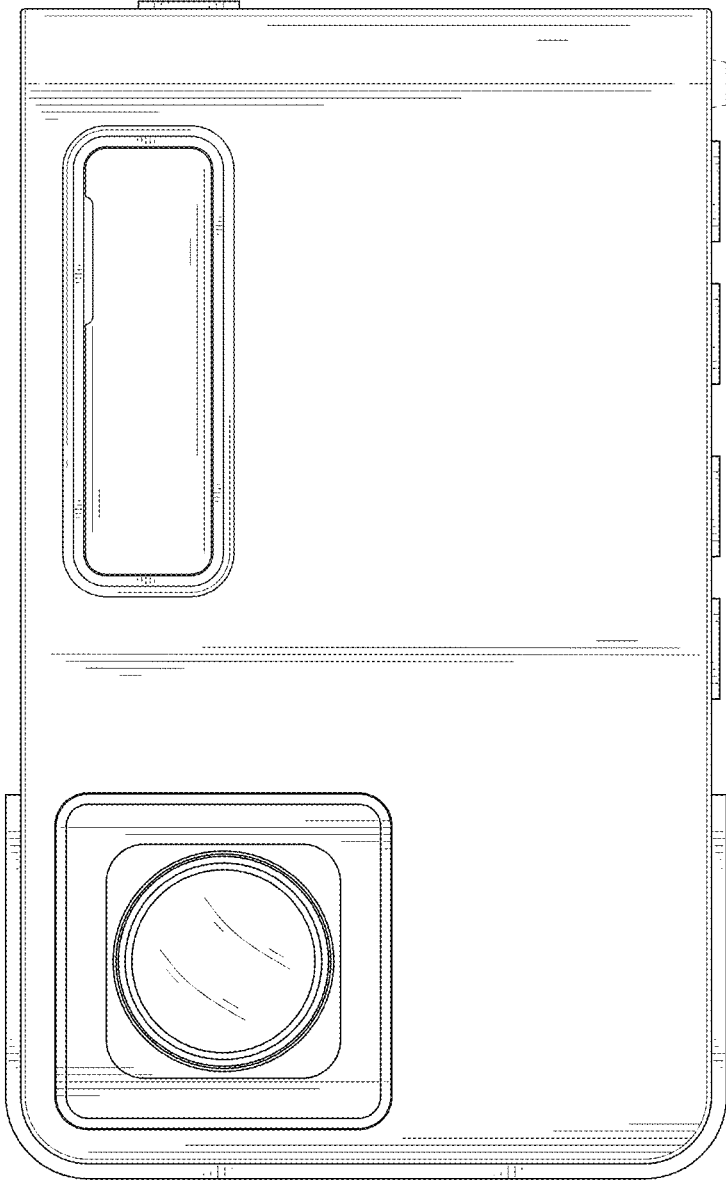


FIG. 4

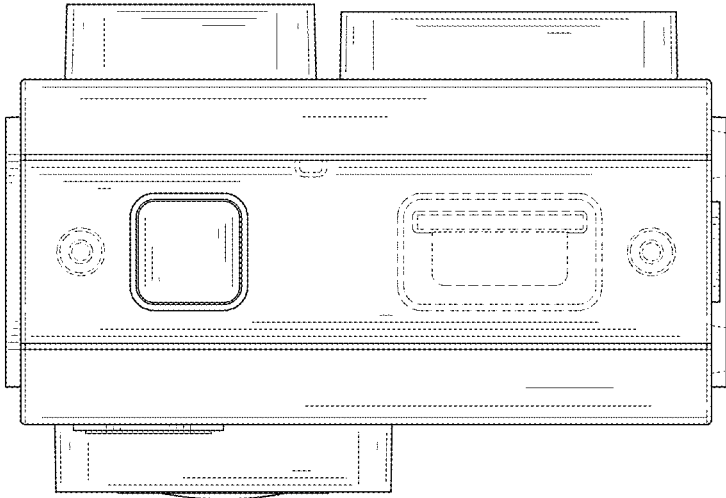


FIG. 5

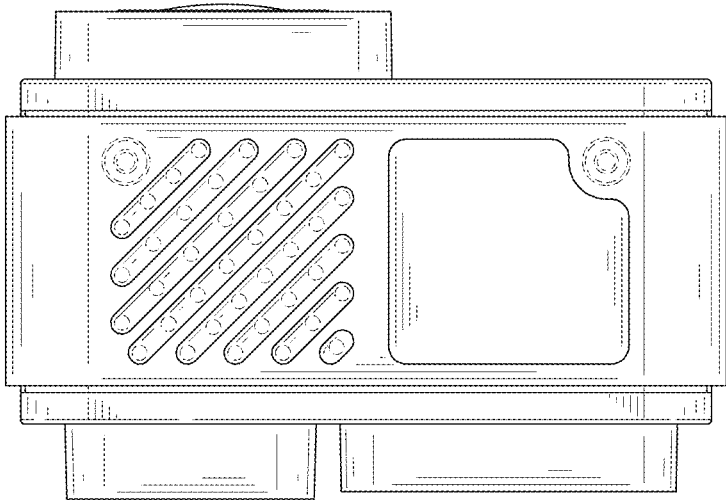


FIG. 6

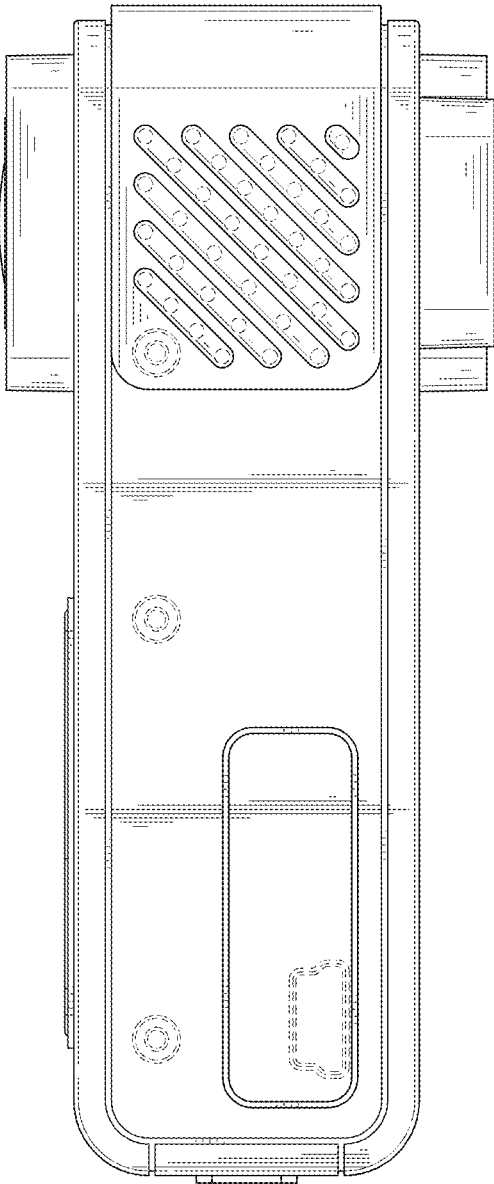


FIG. 7



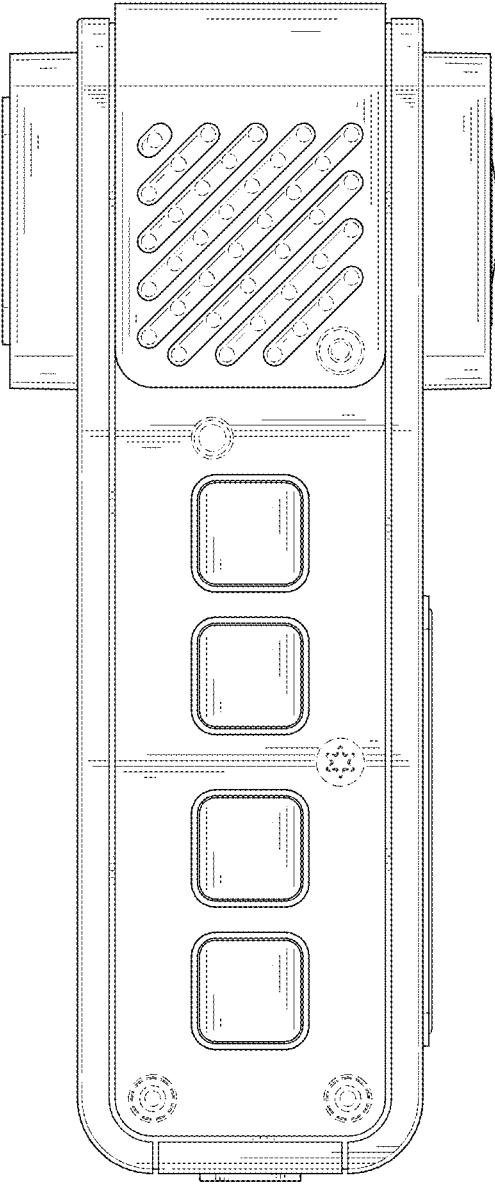


FIG. 8