



US00D786379S

(12) **United States Design Patent**
Ivanova et al.

(10) **Patent No.:** **US D786,379 S**
(45) **Date of Patent:** **** May 9, 2017**

- (54) **GOLF CLUB FACE**
- (71) Applicant: **CALLAWAY GOLF COMPANY,**
Carlsbad, CA (US)
- (72) Inventors: **Irina Ivanova,** San Marcos, CA (US);
Bradley C. Rice, Carlsbad, CA (US);
Esteban Aguilar, Carlsbad, CA (US)
- (73) Assignee: **Callaway Golf Company,** Carlsbad,
CA (US)
- (**) Term: **15 Years**
- (21) Appl. No.: **29/543,429**
- (22) Filed: **Oct. 23, 2015**
- (51) **LOC (10) Cl.** **21-02**
- (52) **U.S. Cl.**
USPC **D21/759**
- (58) **Field of Classification Search**
USPC D21/747-751, 759
CPC A63B 53/00; A63B 53/04; A63B 53/047;
A63B 53/0475; A63B 53/0445; A63B
2053/0479
See application file for complete search history.

D617,406 S *	6/2010	Carlyle	D21/759
D633,967 S *	3/2011	Carlyle	D21/759
D643,490 S *	8/2011	Wada	D21/759
D707,316 S *	6/2014	Aguayo	D21/759
D707,317 S *	6/2014	Aguayo	D21/759
D716,387 S *	10/2014	Aguayo	D21/759
D716,388 S *	10/2014	Aguayo	D21/759
D756,475 S *	5/2016	Ripp	D21/759
D760,854 S *	7/2016	Ripp	D21/759
D764,000 S *	8/2016	Gonczi	D21/759
2009/0247318 A1 *	10/2009	Ban	A63B 53/047 473/331

* cited by examiner

Primary Examiner — Mitchell Siegel

(74) *Attorney, Agent, or Firm* — Rebecca Hanovice;
Michael A. Catania; Sonia Lari

(57) **CLAIM**

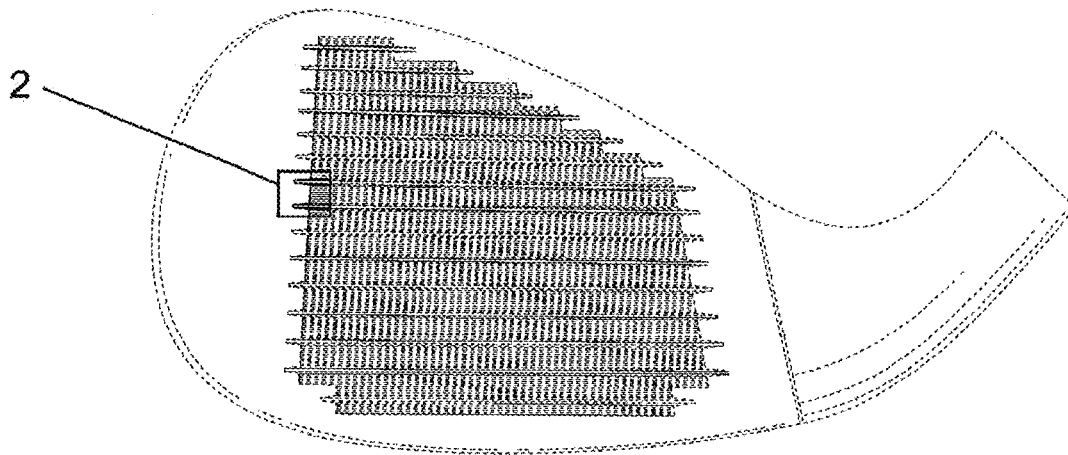
The ornamental design for a golf club face, as shown and described.

DESCRIPTION

FIG. 1 is a front view of the golf club face;
FIG. 2 is an enlarged view taken on box 2 of FIG. 1;
FIG. 3 is a cross sectional view taken on line 3-3 of FIG. 2;
FIG. 4 is a second embodiment of the golf club face;
FIG. 5 is a cross sectional view taken on line 5-5 of FIG. 4;
FIG. 6 is a third embodiment of the golf club face;
FIG. 7 is a cross sectional view taken on line 7-7 of FIG. 6;
FIG. 8 is a fourth embodiment of the golf club face; and,
FIG. 9 is a cross sectional view taken on line 9-9 of FIG. 8.
The broken lines showing other golf club features are included for the purpose of illustration only and form no part of the claimed design.

1 Claim, 4 Drawing Sheets

- (56) **References Cited**
U.S. PATENT DOCUMENTS
7,473,187 B2 * 1/2009 Vokey A63B 53/047
473/330
D588,221 S * 3/2009 Takahashi D21/759
D588,666 S * 3/2009 Takahashi D21/759
D596,687 S * 7/2009 Bezilla D21/759
D603,009 S * 10/2009 Bezilla D21/759
D612,438 S * 3/2010 Carlyle D21/759
D612,439 S * 3/2010 Carlyle D21/759



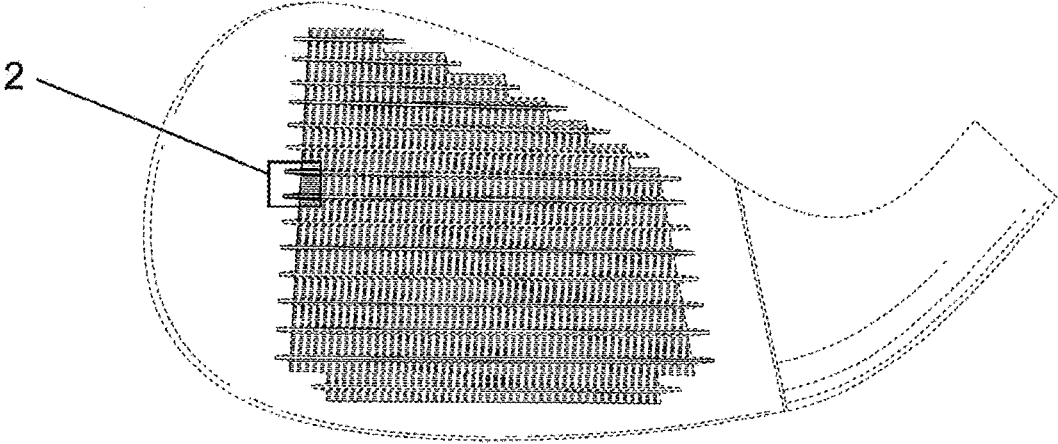


FIG. 1

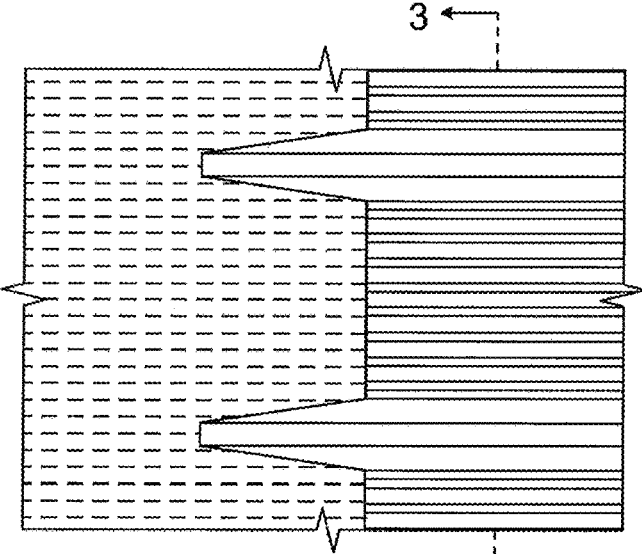


FIG. 2

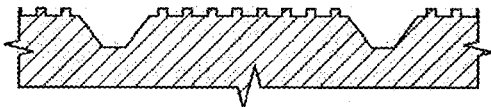


FIG. 3

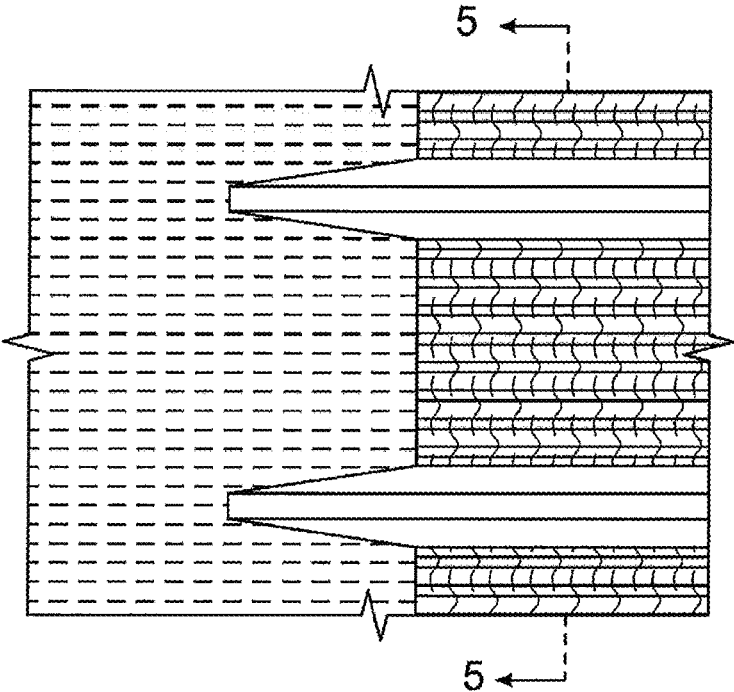


FIG. 4



FIG. 5

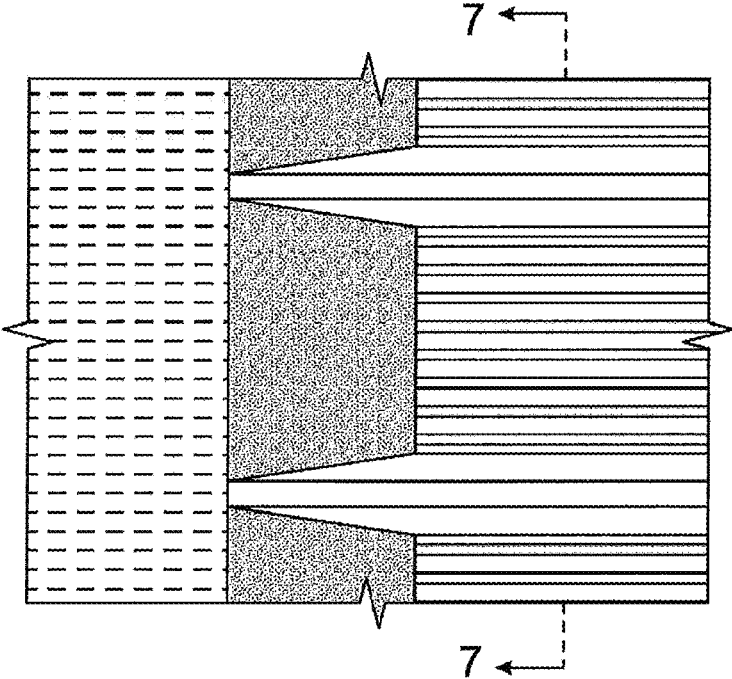


FIG. 6

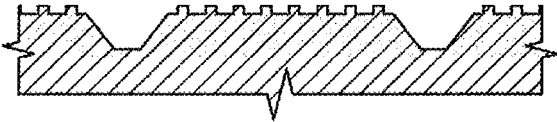


FIG. 7

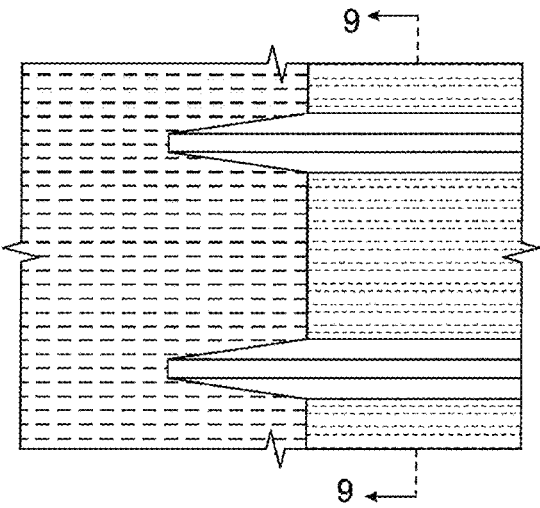


FIG. 8



FIG. 9