



US00D559094S

(12) **United States Design Patent**
Totsu

(10) **Patent No.:** **US D559,094 S**

(45) **Date of Patent:** **** Jan. 8, 2008**

(54) **SCREW**

(76) Inventor: **Katsuyuki Totsu**, 32-13, Oshiage
1-chome, Sumida-ku, Tokyo (JP)
131-0045

(**) Term: **14 Years**

(21) Appl. No.: **29/261,513**

(22) Filed: **Jun. 15, 2006**

(30) **Foreign Application Priority Data**

Dec. 16, 2005 (JP) 2005-037125

(51) **LOC (8) Cl.** **08-08**

(52) **U.S. Cl.** **D8/387**

(58) **Field of Classification Search** D8/387;
411/403, 378, 393, 402

See application file for complete search history.

(56) **References Cited**

U.S. PATENT DOCUMENTS

- D264,552 S * 5/1982 Bogren D8/387
- 4,459,074 A * 7/1984 Capuano 411/403
- D493,097 S * 7/2004 Shinjo D8/387
- 6,802,680 B1 * 10/2004 Rubenstein 411/7

* cited by examiner

Primary Examiner—Holly H. Baynham
Assistant Examiner—Sheryl Friedman
(74) *Attorney, Agent, or Firm*—William L. Androlia; H. Henry Koda

(57) **CLAIM**

The ornamental design for a screw, as shown and described.

DESCRIPTION

FIG. 1 is a front elevational view of the screw showing my new design;

FIG. 2 is a rear elevational view thereof;

FIG. 3 is a left side elevational view thereof;

FIG. 4 is a right side elevational view thereof;

FIG. 5 is a top plan view thereof;

FIG. 6 is a bottom plan view thereof;

FIG. 7 is a perspective view thereof; and,

FIG. 8 is a cross sectional view taken along the lines 8—8 in FIG. 5, showing the shape of the grooves in the screw head.

The portion of the article depicted in broken lines is for illustrative purposes only and forms no part of the claimed design.

1 Claim, 4 Drawing Sheets

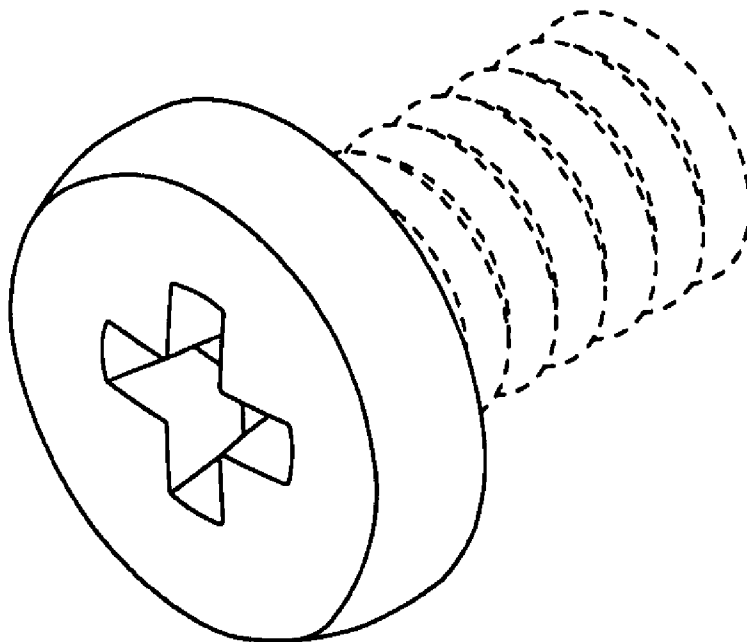


FIG. 1

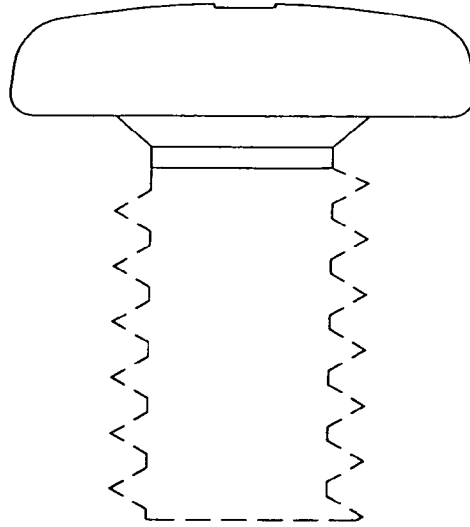


FIG. 2

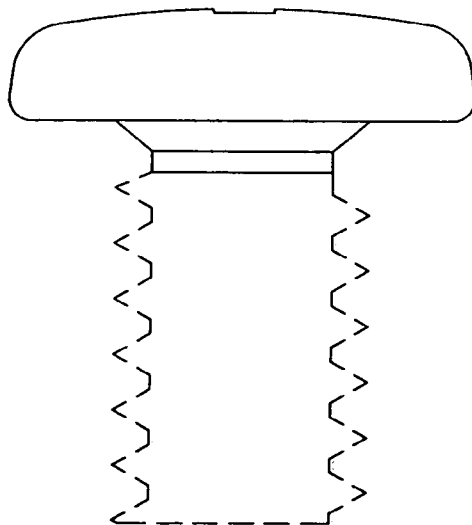


FIG. 3

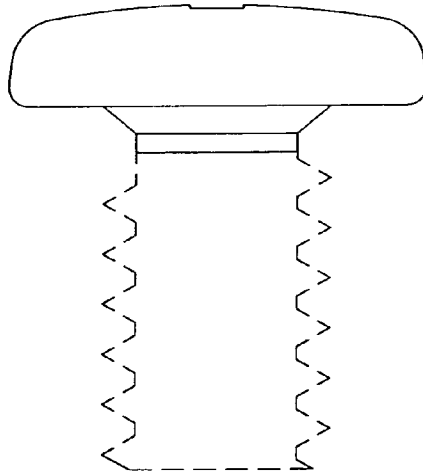


FIG. 4

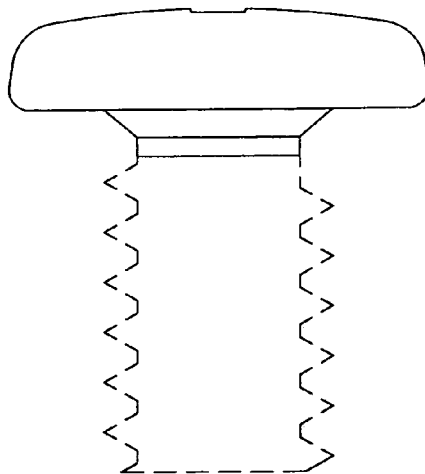


FIG. 5

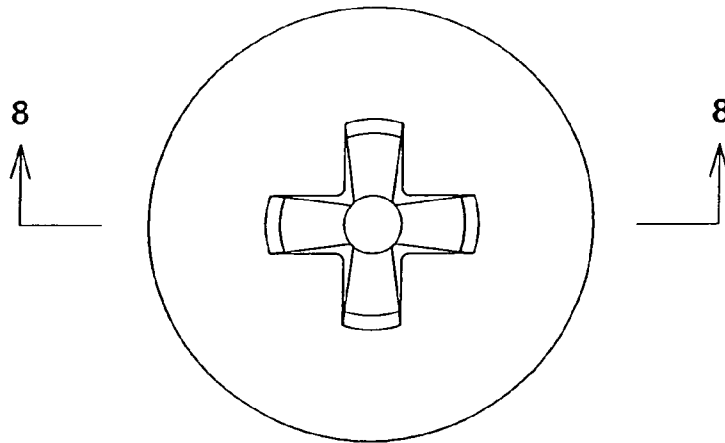


FIG. 6

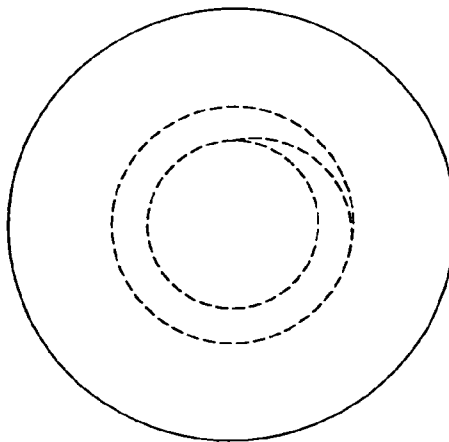


FIG. 7

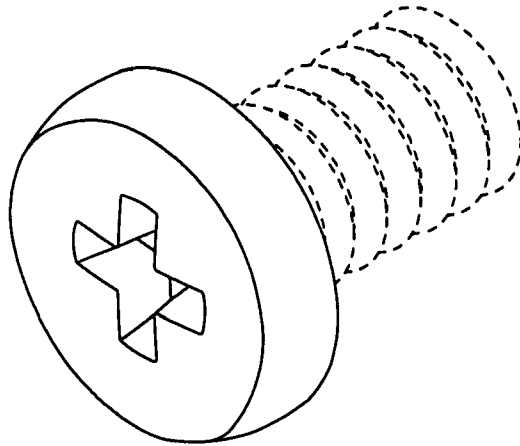


FIG. 8

