



US00D685889S

(12) **United States Design Patent**  
**Madara et al.**

(10) **Patent No.:** **US D685,889 S**  
(45) **Date of Patent:** **\*\* Jul. 9, 2013**

- (54) **PIPE COUPLING SEGMENT**
- (71) Applicant: **Victaulic Company**, Easton, PA (US)
- (72) Inventors: **Scott D Madara**, Nazareth, PA (US);  
**Amit R Shah**, Quakertown, PA (US)
- (73) Assignee: **Victaulic Company**, Easton, PA (US)
- (\*\*) Term: **14 Years**

- D602,127 S 10/2009 Shah et al.
- D605,734 S 12/2009 Henry et al.
- D605,735 S 12/2009 Shah et al.
- D607,548 S 1/2010 Shah et al.
- D607,549 S 1/2010 Shah et al.
- D607,550 S 1/2010 Shah et al.
- D608,865 S 1/2010 Henry et al.
- D608,866 S 1/2010 Henry et al.
- D608,867 S 1/2010 Henry et al.

(Continued)

- (21) Appl. No.: **29/433,587**
- (22) Filed: **Oct. 2, 2012**
- (51) **LOC (9) Cl.** ..... **23-01**
- (52) **U.S. Cl.**
- USPC ..... **D23/262**
- (58) **Field of Classification Search**
- USPC ..... D23/259, 262; 285/11-12, 7, 177,  
285/394-395, 307, 358, 179-183, 423, 356,  
285/303, 337
- See application file for complete search history.

**OTHER PUBLICATIONS**

Chionchio, John A., Pipe Coupling Segment; Design U.S. Appl. No. 29/433,487, filed Oct. 1, 2012, pp. 1-7.

(Continued)

*Primary Examiner* — Eric Goodman  
(74) *Attorney, Agent, or Firm* — Ballard Spahr LLP

(57) **CLAIM**  
We claim the ornamental design for a pipe coupling segment, as shown and described.

**DESCRIPTION**

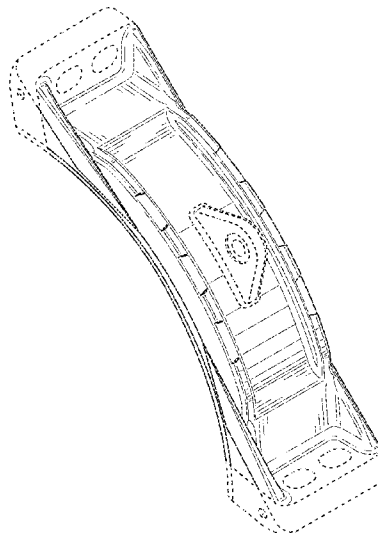
FIG. 1 is an isometric view of a design of a pipe coupling segment according to our invention;  
 FIG. 2 is a left side view of the pipe coupling segment shown in FIG. 1, the right side view being identical;  
 FIG. 3 is a lower bottom view of the pipe coupling segment shown in FIG. 1;  
 FIG. 4 is a lower end view of the pipe coupling segment shown in FIG. 1;  
 FIG. 5 is an upper end view of the pipe coupling segment shown in FIG. 1; and,  
 FIG. 6 is an upper bottom view of the pipe coupling segment shown in FIG. 1.  
 The broken lines shown in FIGS. 1 through 6 are for illustrative purposes only and form no part of the claimed design.

**1 Claim, 3 Drawing Sheets**

(56) **References Cited**

**U.S. PATENT DOCUMENTS**

872,659 A	12/1907	Lord	
2,822,195 A *	2/1958	Hoke	285/337
2,861,822 A	11/1958	Risley et al.	
D208,388 S	8/1967	Graham	
3,352,579 A	11/1967	Hoke	
4,183,560 A	1/1980	Wyss	
D339,975 S *	10/1993	Bird et al.	D8/354
5,509,699 A *	4/1996	Himmelberger	285/337
5,803,513 A *	9/1998	Richardson	285/342
D453,816 S	2/2002	Sato et al.	
6,494,502 B1	12/2002	Plante	
D513,793 S	1/2006	Copeland et al.	
D515,673 S	2/2006	Copeland et al.	
7,090,259 B2 *	8/2006	Dole	285/367
D593,642 S	6/2009	Copeland et al.	
D600,784 S	9/2009	Henry et al.	



# US D685,889 S

Page 2

## U.S. PATENT DOCUMENTS

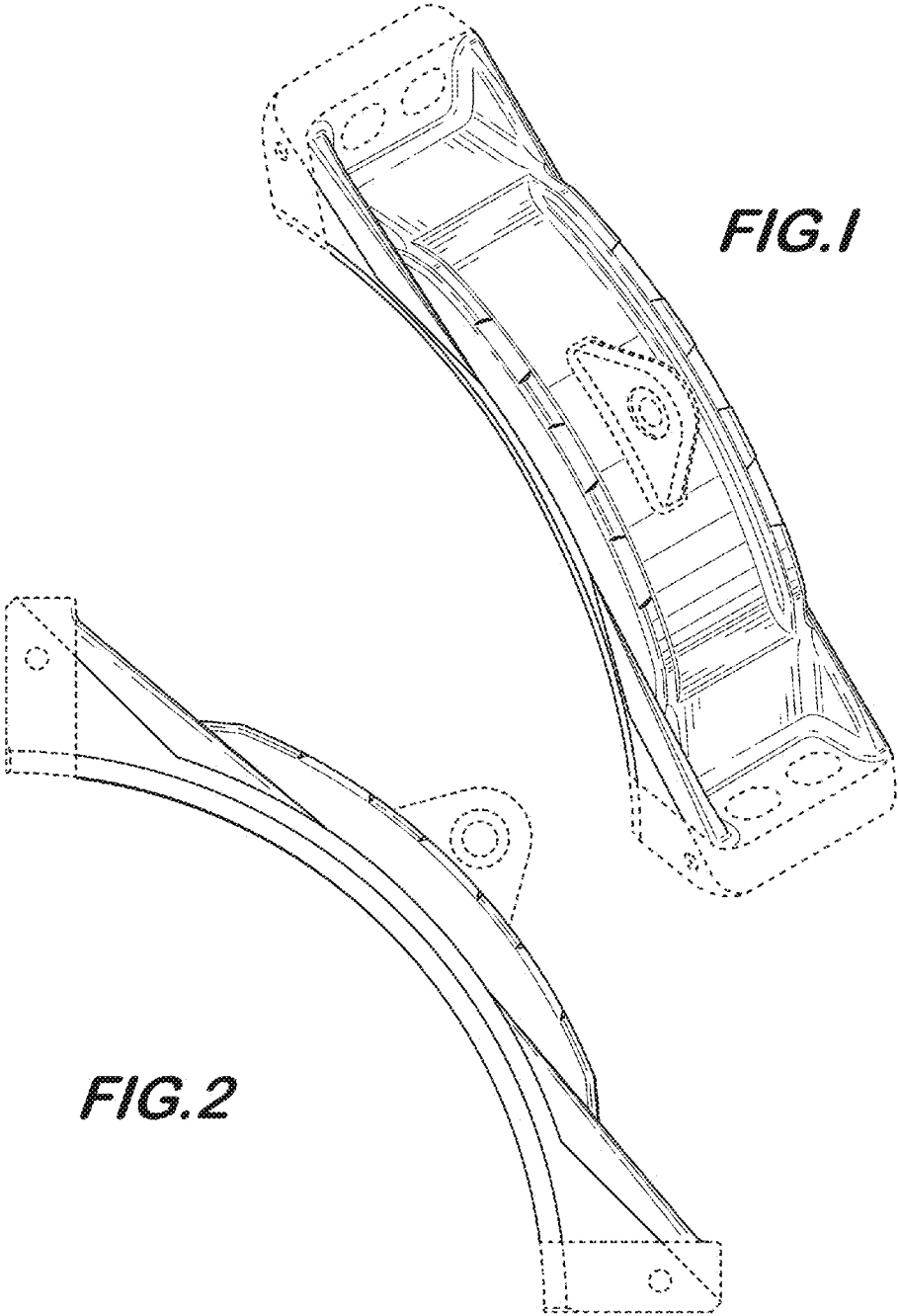
D612,461 S 3/2010 Henry et al.  
D612,462 S 3/2010 Shah et al.  
D612,463 S 3/2010 Shah et al.  
D613,377 S 4/2010 Shah et al.  
D614,269 S 4/2010 Henry et al.  
D616,072 S 5/2010 Henry et al.  
D620,086 S \* 7/2010 Copeland et al. .... D23/266  
D633,600 S \* 3/2011 Madara ..... D23/262  
D665,060 S \* 8/2012 Wilk et al. .... D23/262  
D665,888 S \* 8/2012 Wilk et al. .... D23/262  
D674,060 S \* 1/2013 Wilk et al. .... D23/262  
D674,061 S \* 1/2013 Cuvo et al. .... D23/262  
D674,062 S \* 1/2013 Madara et al. .... D23/262  
D674,063 S \* 1/2013 Wilk et al. .... D23/262

2003/0071460 A1 4/2003 Snyder et al.  
2003/0230897 A1 \* 12/2003 Lundstrom ..... 285/337  
2005/0146133 A1 7/2005 Snyder et al.

## OTHER PUBLICATIONS

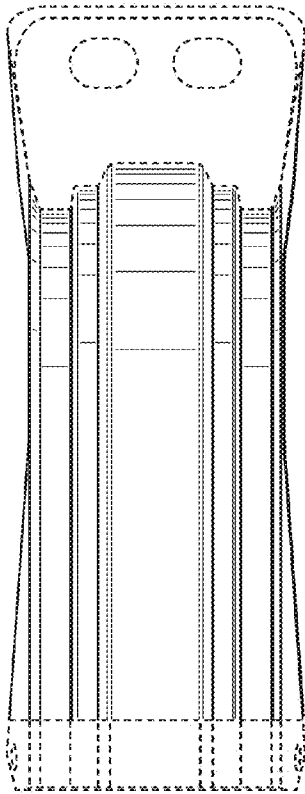
Chionchio, John A., Pipe Coupling Segment; Design U.S. Appl. No. 29/433,534, filed Oct. 1, 2012; pp. 1-9.  
Chionchio, John A., Pipe Coupling Segment; Design U.S. Appl. No. 29/433,535, filed Oct. 1, 2012; pp. 1-9.  
Chionchio, John A., Pipe Coupling Segment; Design Appl. No. 29/433,536, filed Oct. 1, 2012; pp. 1-7.  
Chionchio, John A., Pipe Coupling Segment; Design U.S. Appl. No. 29/433,585, filed Oct. 2, 2012; pp. 1-9.

\* cited by examiner

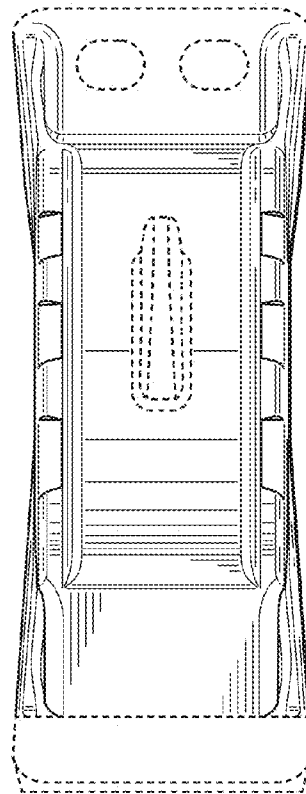


**FIG. 1**

**FIG. 2**

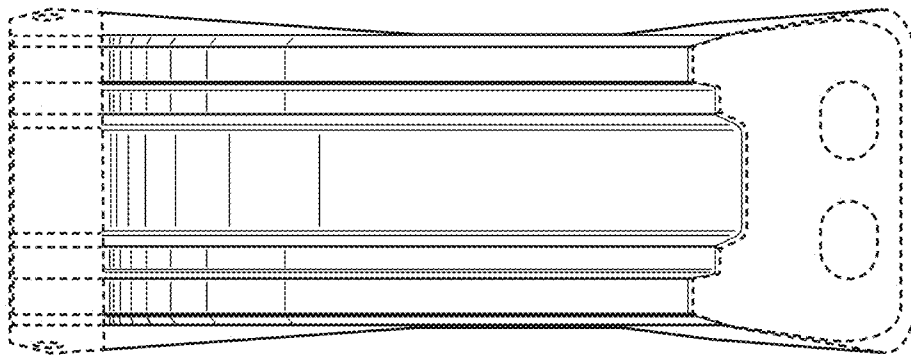
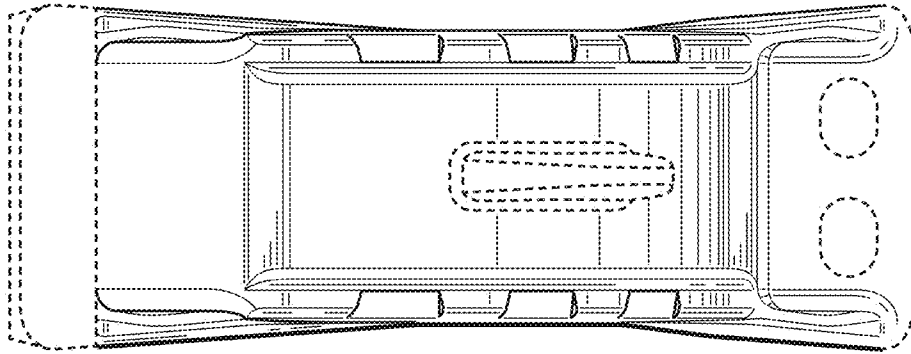


**FIG. 3**



**FIG. 4**

**FIG.5**



**FIG.6**