



US00D651788S

(12) **United States Design Patent**
Raysse

(10) **Patent No.:** **US D651,788 S**

(45) **Date of Patent:** **** Jan. 10, 2012**

(54) **SHOE BOTTOM**

(75) **Inventor:** **David Raysse**, Los Angeles, CA (US)

(73) **Assignee:** **Skechers U.S.A., Inc. II**, Manhattan Beach, CA (US)

(**) **Term:** **14 Years**

(21) **Appl. No.:** **29/397,081**

(22) **Filed:** **Jul. 11, 2011**

(51) **LOC (9) Cl.** **02-04**

(52) **U.S. Cl.** **D2/954; D2/951**

(58) **Field of Classification Search** D2/902,
D2/906, 908, 916, 918, 925, 946-962, 977;
36/3 B, 22 R, 24.5, 25 R, 28, 32 R, 34 R,
36/59 C, 67 A, 103

See application file for complete search history.

(56) **References Cited**

U.S. PATENT DOCUMENTS

3,568,340	A	*	3/1971	Gardner	36/32 R
4,562,651	A	*	1/1986	Frederick et al.	36/102
D288,861	S	*	3/1987	Vaccaro	D2/918
D298,883	S		12/1988	Tanel		
D310,131	S		8/1990	Hase		
D310,132	S		8/1990	Hase		
D334,278	S	*	3/1993	Greene	D2/977
D343,045	S	*	1/1994	Bailey	D2/977
D399,040	S		10/1998	Merceron		
D401,744	S		12/1998	Greenberg		
D417,945	S	*	12/1999	Merceron	D2/952
D424,792	S	*	5/2000	Briand	D2/955
D432,294	S	*	10/2000	Wilson	D2/960
D432,761	S	*	10/2000	Patterson et al.	D2/951
D437,676	S		2/2001	Ferrer		
D447,616	S	*	9/2001	Bandini et al.	D2/954
D452,606	S		1/2002	Lozano		
D455,895	S	*	4/2002	Yang	D2/955
D458,739	S		6/2002	Merceron		
D466,682	S	*	12/2002	Ortuno Santa	D2/954
D479,034	S	*	9/2003	Tzenos	D2/926
D483,175	S	*	12/2003	Robinson et al.	D2/954

D483,929	S	*	12/2003	Tzenos	D2/916
D483,932	S		12/2003	Cooper		
D483,933	S		12/2003	Adams et al.		
D519,265	S		4/2006	Gerber		
D527,878	S	*	9/2006	Edwards	D2/955
D530,066	S	*	10/2006	Earle	D2/954
D542,516	S		5/2007	Petrie		
D548,934	S		8/2007	Choi		
D551,832	S		10/2007	Scott		
D573,334	S	*	7/2008	Petrie	D2/954
D578,282	S	*	10/2008	Duffy	D2/955
D580,142	S	*	11/2008	Duffy	D2/955
D583,540	S		12/2008	Henderson		
D583,541	S	*	12/2008	Alfaro	D2/957
D591,944	S		5/2009	Issler		
D594,193	S	*	6/2009	Duffy	D2/954
D594,199	S	*	6/2009	Kasai	D2/961
D595,937	S	*	7/2009	Morris	D2/907
D596,383	S	*	7/2009	Morris	D2/907
D599,088	S		9/2009	Kay et al.		
D599,091	S	*	9/2009	Della Valle et al.	D2/954

(Continued)

Primary Examiner — T. Chase Nelson

(74) *Attorney, Agent, or Firm* — Marshall A. Lerner; Marvin H. Kleinberg; Kleinberg & Lerner, LLP

(57) **CLAIM**

The ornamental design for a shoe bottom, as shown and described.

DESCRIPTION

FIG. 1 is a perspective view of a shoe bottom in accordance with my new design.

FIG. 2 is a bottom plan view thereof;

FIG. 3 is a left side view thereof;

FIG. 4 is a right side view thereof;

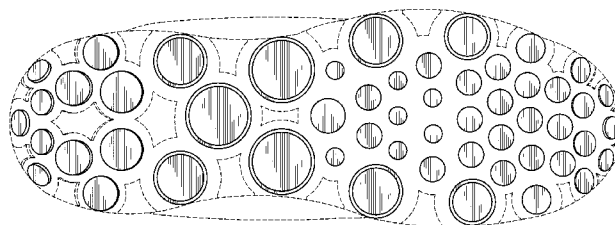
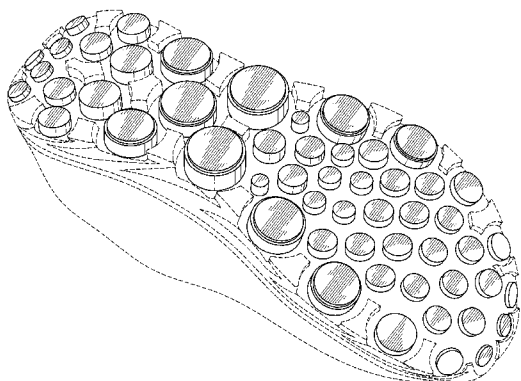
FIG. 5 is a rear elevation view thereof;

FIG. 6 is a front elevation view thereof; and,

FIG. 7 is a top plan view thereof.

Broken lines showing the remainder of the shoe in the figures are for illustrative purposes only and form no part of the claimed invention.

1 Claim, 6 Drawing Sheets



US D651,788 S

Page 2

U.S. PATENT DOCUMENTS

D599,993 S	9/2009	Issler		D626,321 S *	11/2010	Cagner	D2/961
D602,234 S *	10/2009	Feller	D631,646 S	2/2011	Muller		
D608,997 S	2/2010	Loverin et al.	D2/917	D637,799 S *	5/2011	Della Valle et al.	D2/908
D608,998 S	2/2010	Loverin et al.		7,946,062 B2 *	5/2011	Kelly	36/127
D609,440 S *	2/2010	Morris	2004/0237343 A1 *	12/2004	Herman	36/28
D611,236 S *	3/2010	Dombrow	2005/0241180 A1 *	11/2005	Squadroni	36/3 B
D615,737 S *	5/2010	Feller	2007/0266592 A1 *	11/2007	Smith et al.	36/28
D616,637 S *	6/2010	Taestensen	2008/0010860 A1 *	1/2008	Gyr	36/89
D618,895 S	7/2010	Wolff	D2/955	2009/0113760 A1 *	5/2009	Dominguez	36/102
D619,344 S	7/2010	Favreau et al.		2011/0016749 A1 *	1/2011	Callahan et al.	36/103
7,748,141 B2 *	7/2010	Smith et al.	2011/0035963 A1 *	2/2011	Baker et al.	36/114
D623,386 S *	9/2010	Nelson					

* cited by examiner

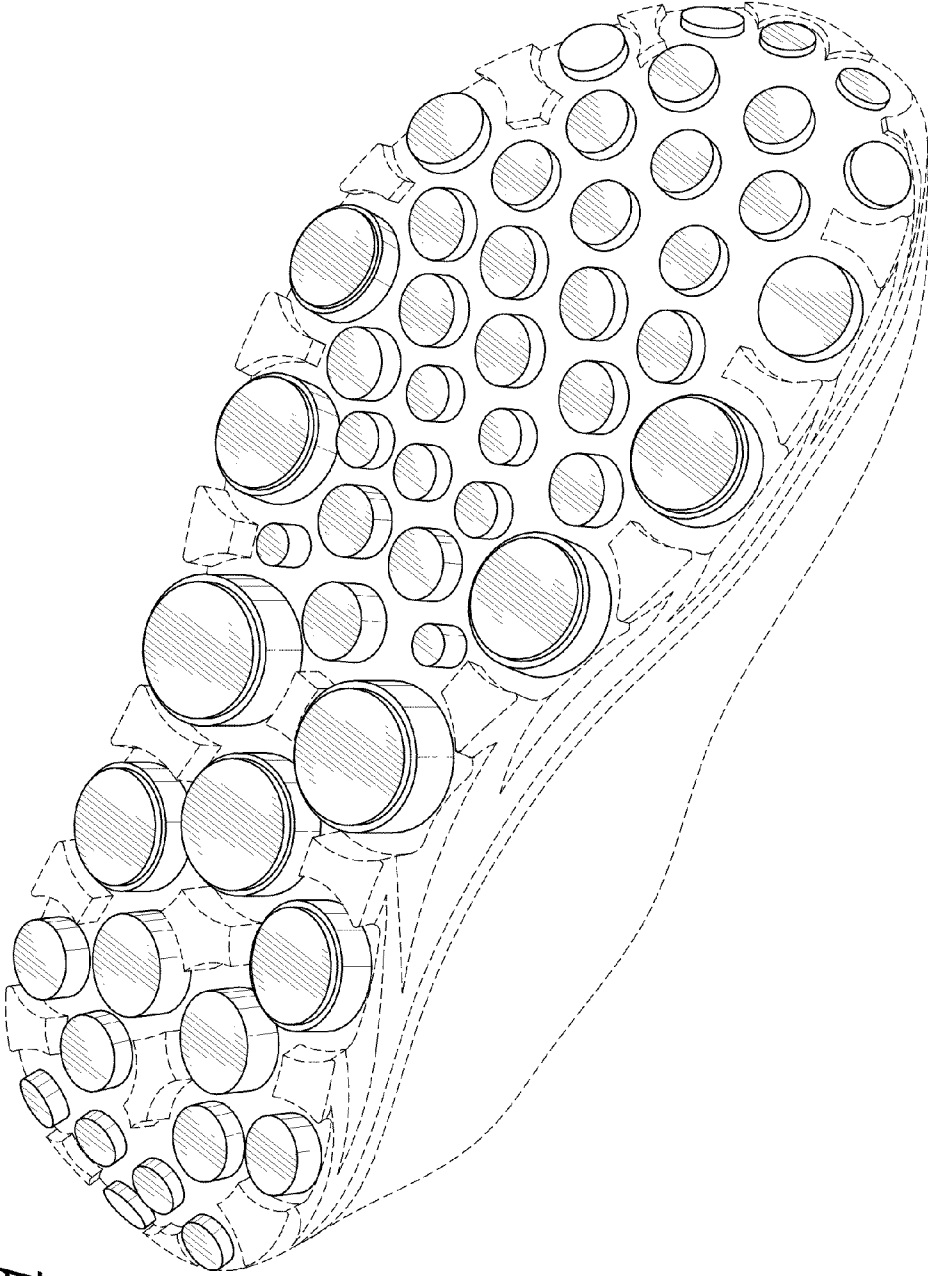


FIG. 1

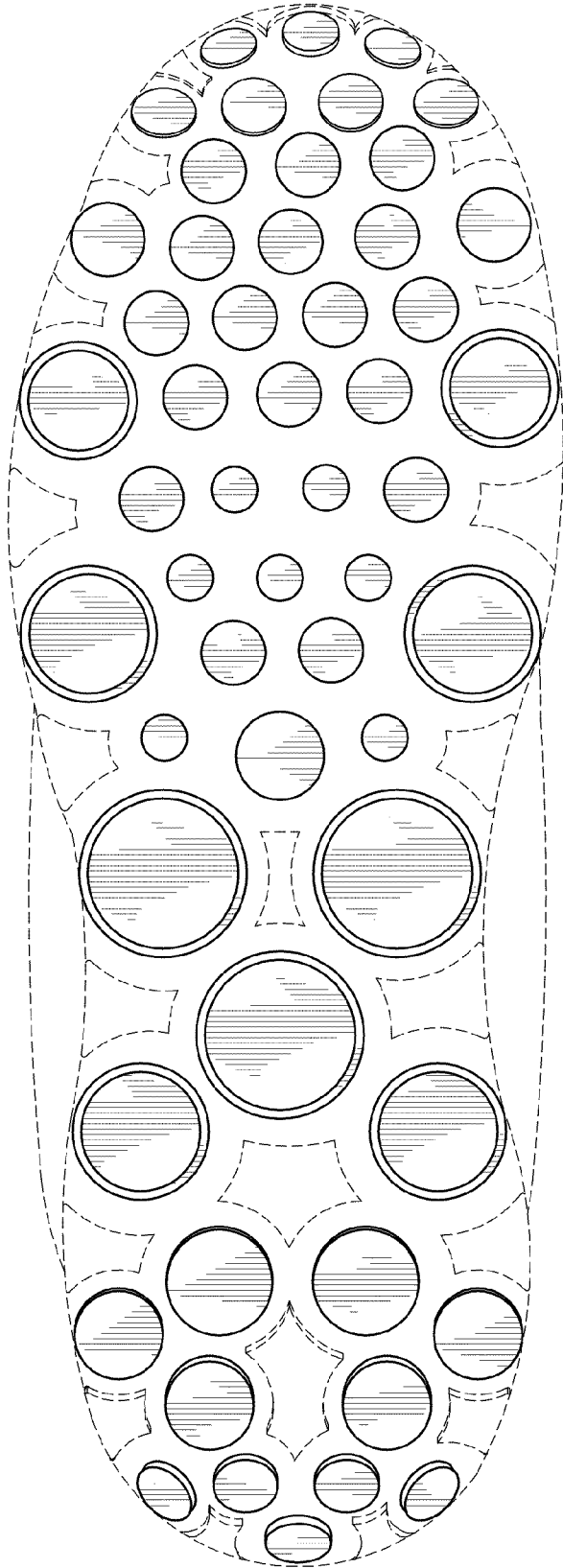


FIG. 2

FIG. 3

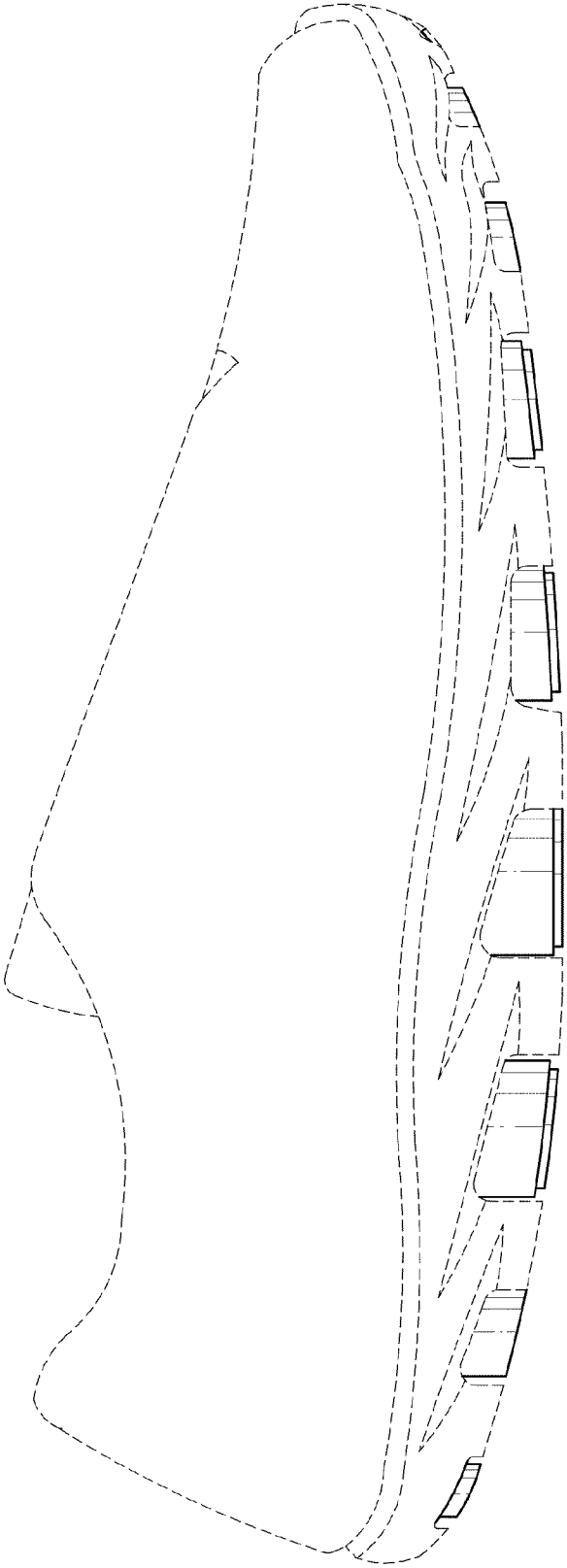


FIG. 4

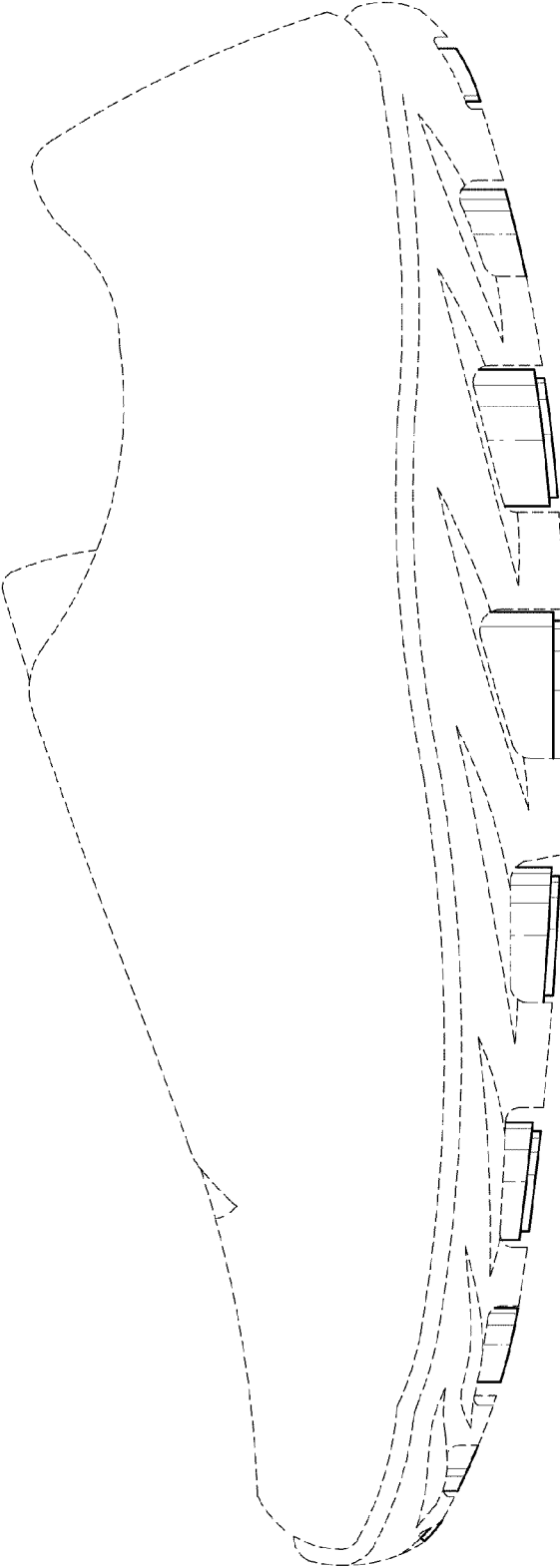


FIG. 6

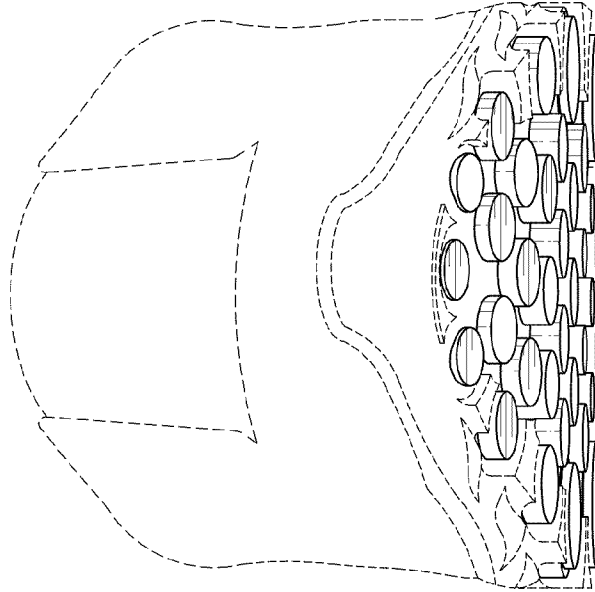


FIG. 5

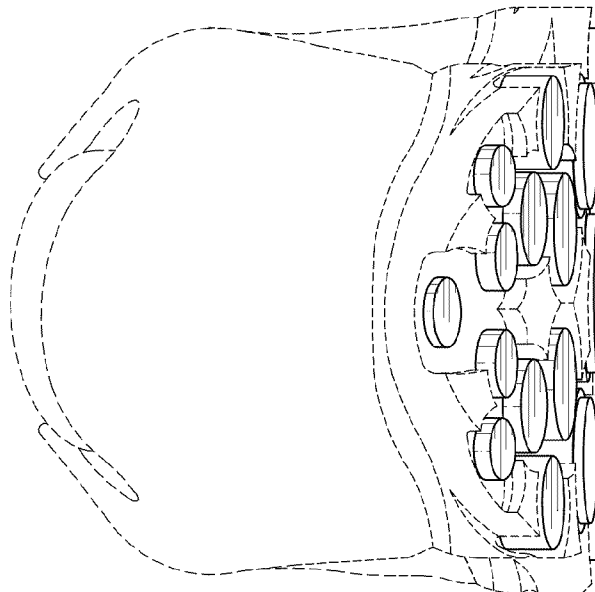


FIG. 7

