



US00D769652S

(12) **United States Design Patent** (10) **Patent No.:** **US D769,652 S**
Poniatowski (45) **Date of Patent:** **** Oct. 25, 2016**

(54) **BIN**

OTHER PUBLICATIONS

(71) Applicant: **CVS Pharmacy, Inc.**, Woonsocket, RI (US)

Grainger, "Hang/Stack Bin", http://www.grainger.com/product/21P561?gclid=CMOfiPblyMQCFYVAaQod9KoAYg&cm_mmc=PPC:GOOGLEPLAA-_-Material%20Handling-_-Storage%20Bins%20and%20Containers-_-21P561&ef_id=VFk1eQAABMXqBLPS:20150327145850:s, at least as early as Mar. 27, 2015, 1 page.

(72) Inventor: **Alex K. Poniatowski**, Brooklyn Park, MN (US)

(73) Assignee: **CVS Pharmacy, Inc.**, Woonsocket, RI (US)

(Continued)

(**) Term: **15 Years**

Primary Examiner — Kelley Donnelly

(74) *Attorney, Agent, or Firm* — Patent Law Works LLP

(21) Appl. No.: **29/527,287**

(22) Filed: **May 18, 2015**

(51) **LOC (10) Cl.** **06-06**

(52) **U.S. Cl.**

USPC **D6/675.4**

(58) **Field of Classification Search**

USPC D7/589; D6/705, 515, 517, 601, 602,

D6/600.1, 619.1, 619.2, 675.4

CPC A47F 1/00; A47F 1/04; F25D 25/021;

F25D 25/025

See application file for complete search history.

(56) **References Cited**

U.S. PATENT DOCUMENTS

D270,756 S *	9/1983	Brown	D23/410
D274,012 S	5/1984	Williams		
D283,074 S	3/1986	Skilius		
D301,927 S	6/1989	Williams		
D333,581 S	3/1993	Macsenti et al.		
D335,242 S *	5/1993	Saunders	D7/589
D342,420 S *	12/1993	Ienna	D6/515
D369,708 S *	5/1996	Breen	D6/515
D402,160 S *	12/1998	Rushing	D7/589
D405,622 S *	2/1999	Linz	D6/515
D409,387 S	5/1999	Yemini		
D421,550 S *	3/2000	Henry	D7/589
D425,703 S	5/2000	Ohayon		
D465,332 S	11/2002	Brown		

(Continued)

(57) **CLAIM**

The ornamental design for a bin, as shown.

DESCRIPTION

FIG. 1 is a perspective view of a first embodiment of a bin showing our new design;

FIG. 2 is a front view thereof;

FIG. 3 is a back view thereof;

FIG. 4 is a right side view thereof; the left side view being a mirror image;

FIG. 5 is a top view thereof;

FIG. 6 is a bottom view thereof;

FIG. 7 is a section view thereof taken through the line indicated in FIG. 2;

FIG. 8 is a perspective view of a second embodiment of a bin showing our new design;

FIG. 9 is a front view thereof;

FIG. 10 is a back view thereof;

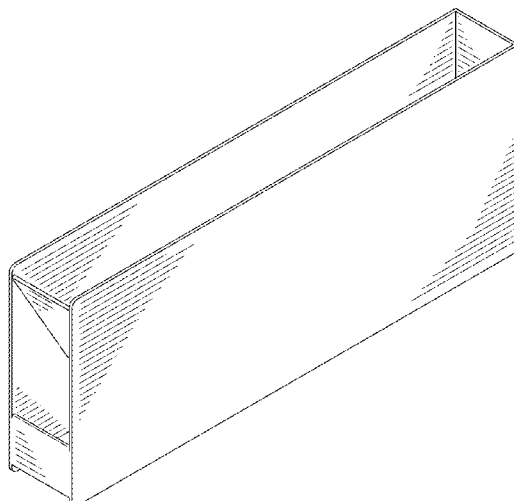
FIG. 11 is a right side view thereof; the left side view being a mirror image;

FIG. 12 is a top view thereof;

FIG. 13 is a bottom view thereof; and,

FIG. 14 is a section view thereof taken through the line indicated in FIG. 9.

1 Claim, 7 Drawing Sheets



(56)

References Cited

OTHER PUBLICATIONS

U.S. PATENT DOCUMENTS

D499,590 S * 12/2004 Meredith D6/515
D509,689 S * 9/2005 Ho D6/515
7,000,826 B2 * 2/2006 Billings A47G 29/1209
232/17
D517,319 S 3/2006 Wisnoski et al.
D519,828 S * 5/2006 Cavero D9/417
D543,400 S * 5/2007 Ho D6/515
D588,386 S * 3/2009 Johnson D6/515
D611,270 S * 3/2010 Castillo Higareda D6/705
D690,514 S 10/2013 Shamp
D716,552 S 11/2014 Theisen et al.
D744,547 S * 12/2015 Jeon D15/89

plastic-bin.com, "Plastic Storage Containers", <http://www.plastic-bin.com/qus976>, at least as early as Mar. 27, 2015, 1 page.
Quantum Storage Systems, "QUS970 Hulk Container", <http://www.quantumstorage.com/qus970>, at least as early as Mar. 27, 2015, 1 page.
besdeals.com, "Plastic Container", <http://besdeals.com/hitech-storage-engineering-leftbracket-m-rightbracket-sdn-bhd/products/detail/274>, at least as early as Mar. 27, 2015, 1 page.

* cited by examiner

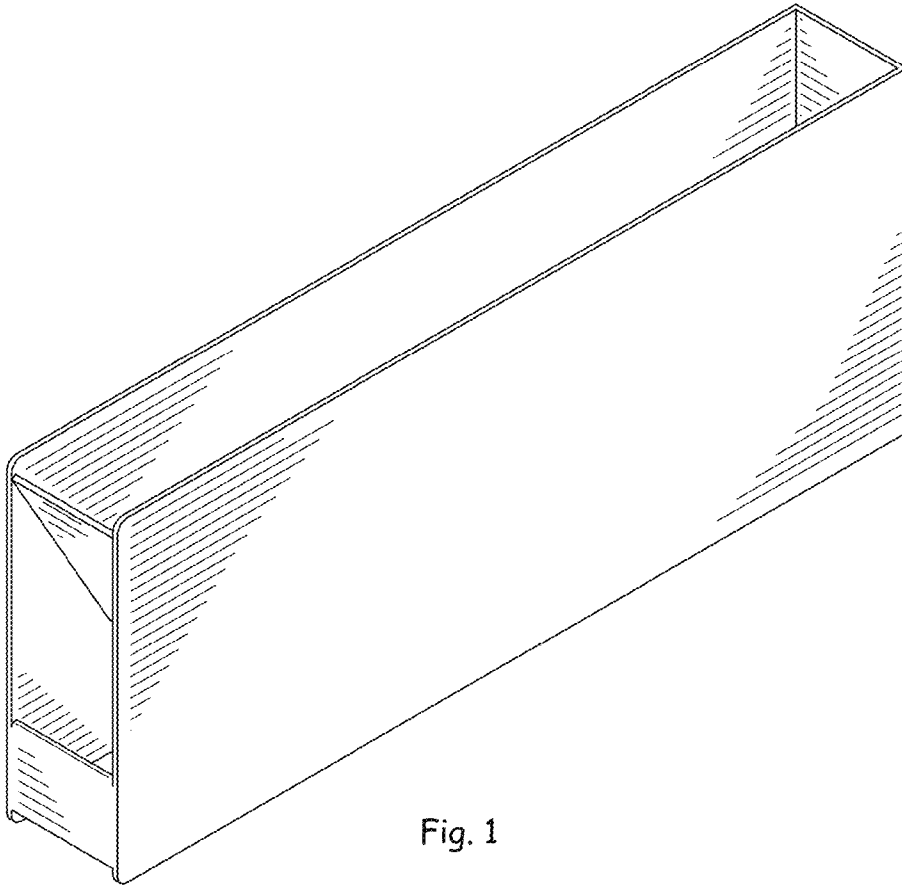


Fig. 1

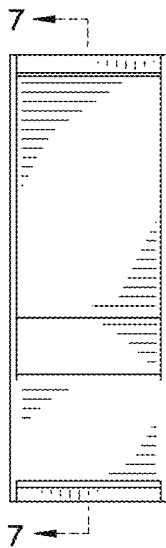


Fig. 2

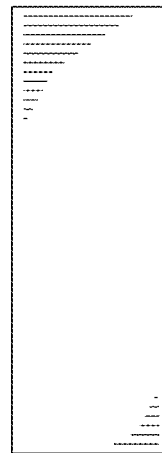


Fig. 3

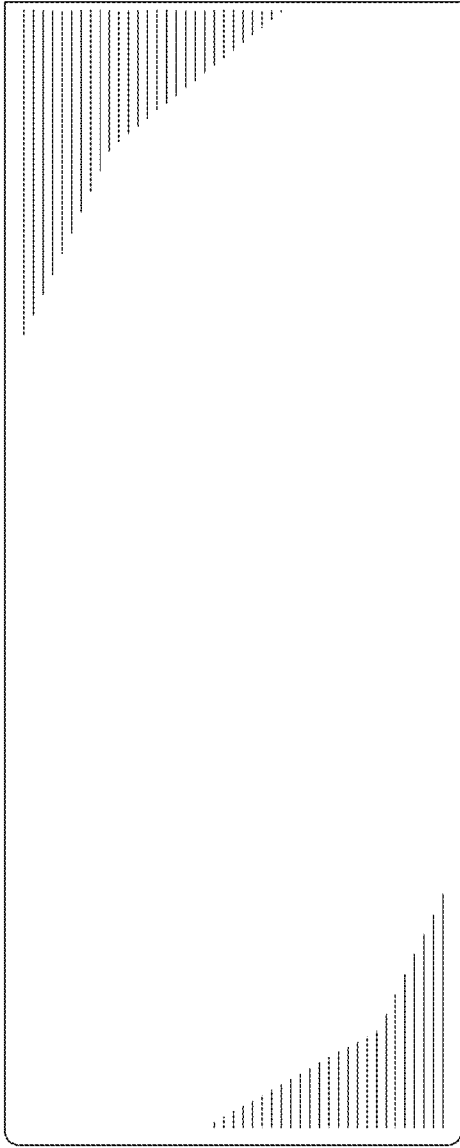


Fig. 4

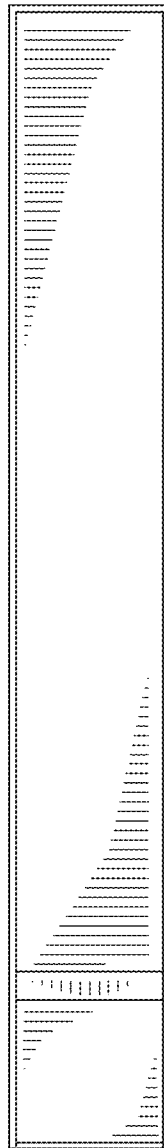


Fig. 5

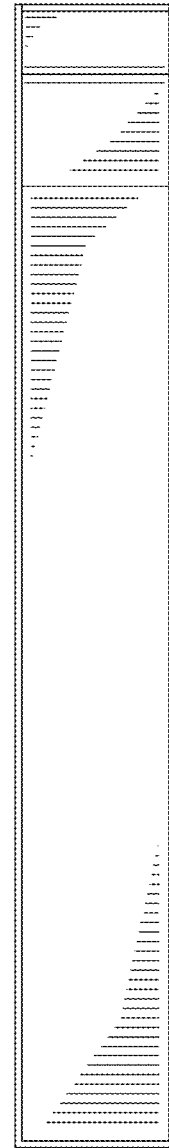


Fig. 6

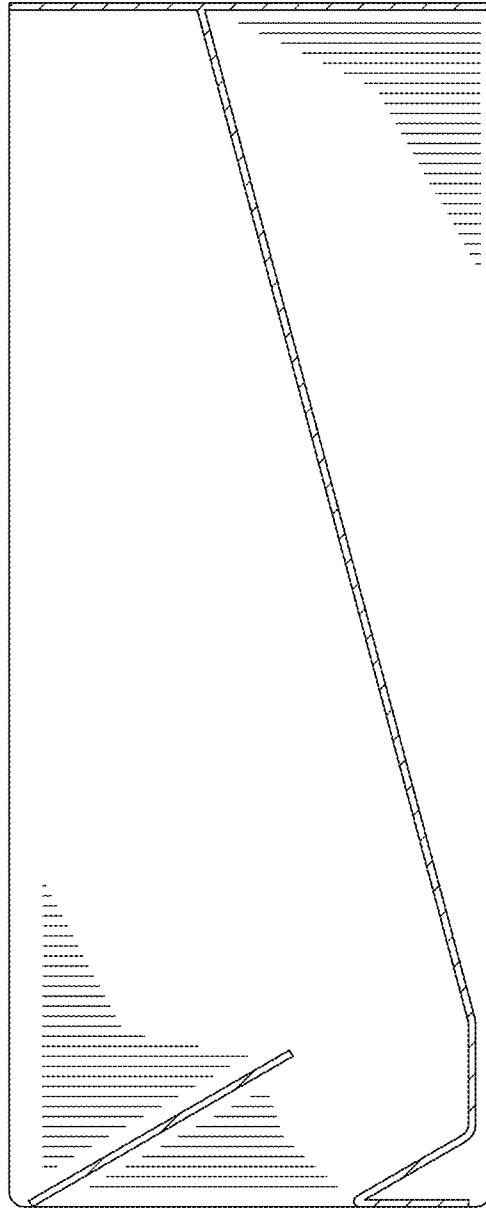


Fig. 7

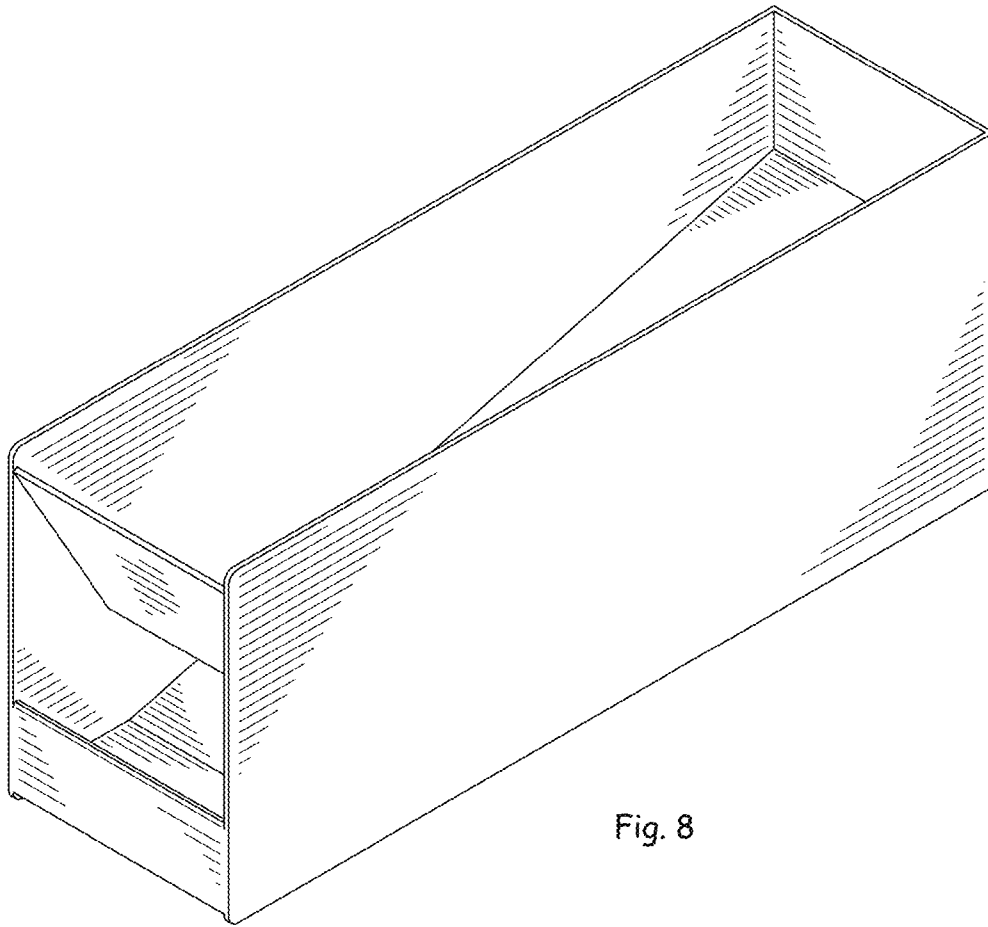


Fig. 8

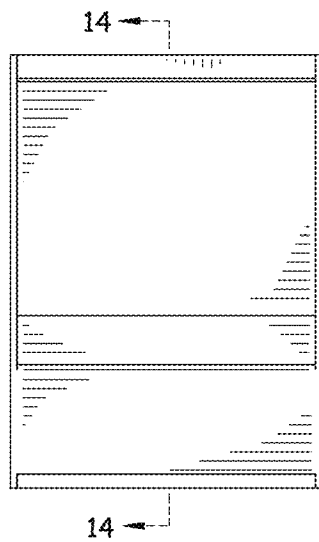


Fig. 9

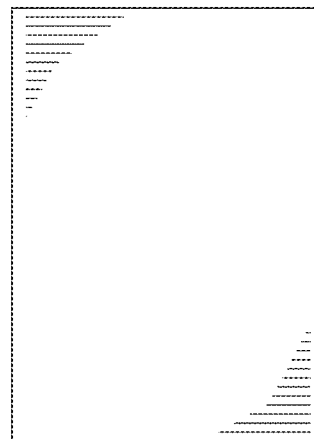


Fig. 10

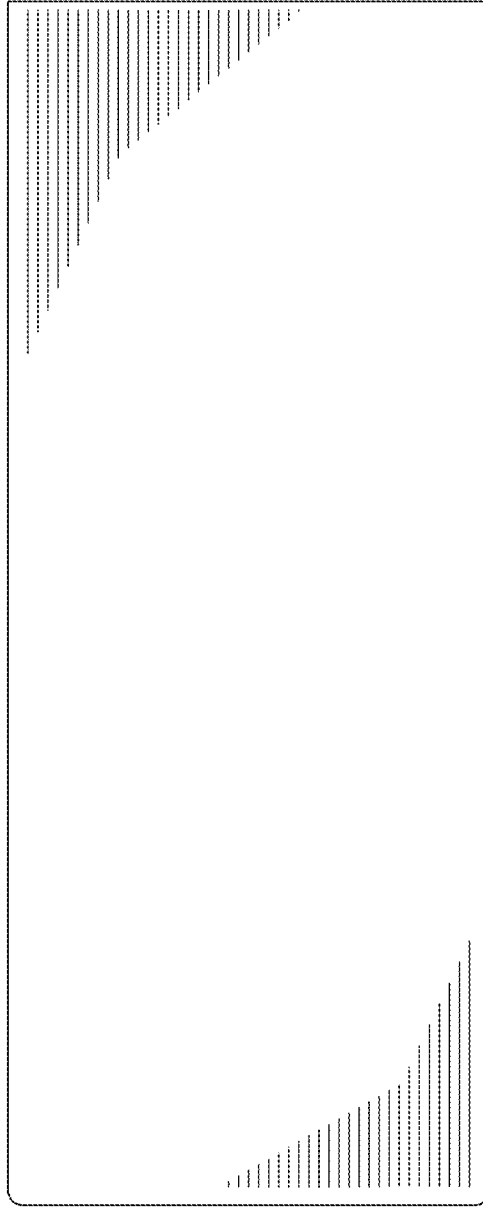


Fig. 11

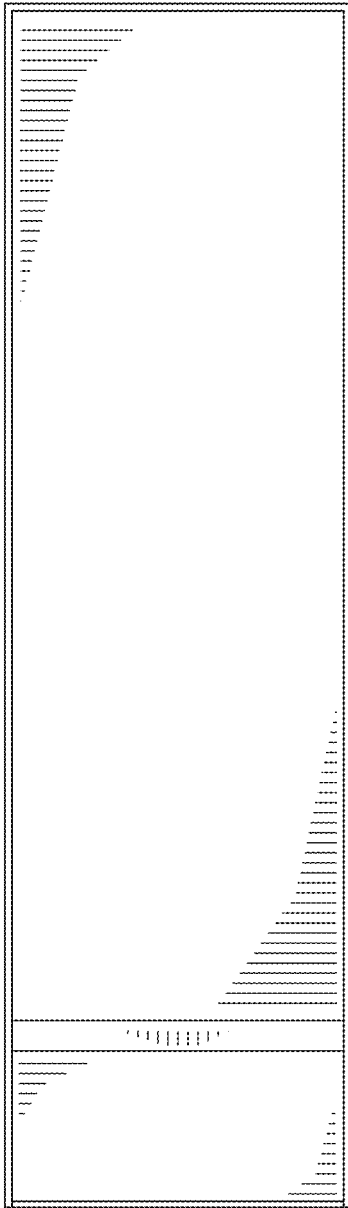


Fig. 12

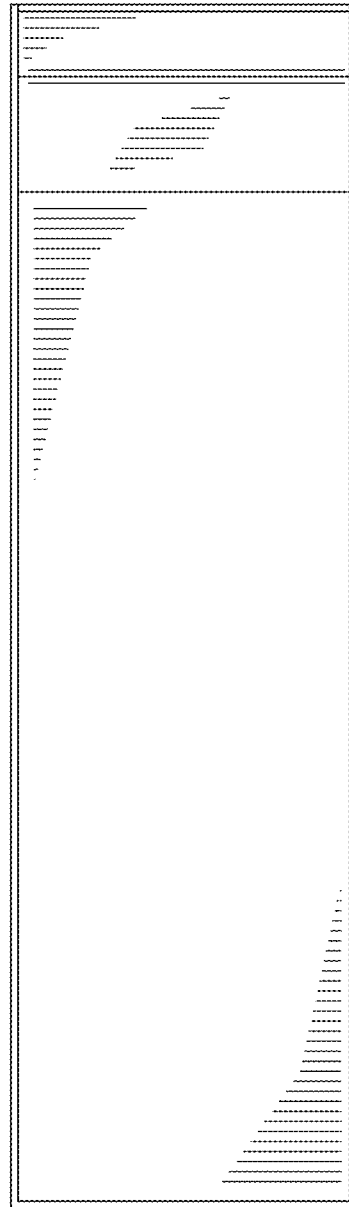


Fig. 13

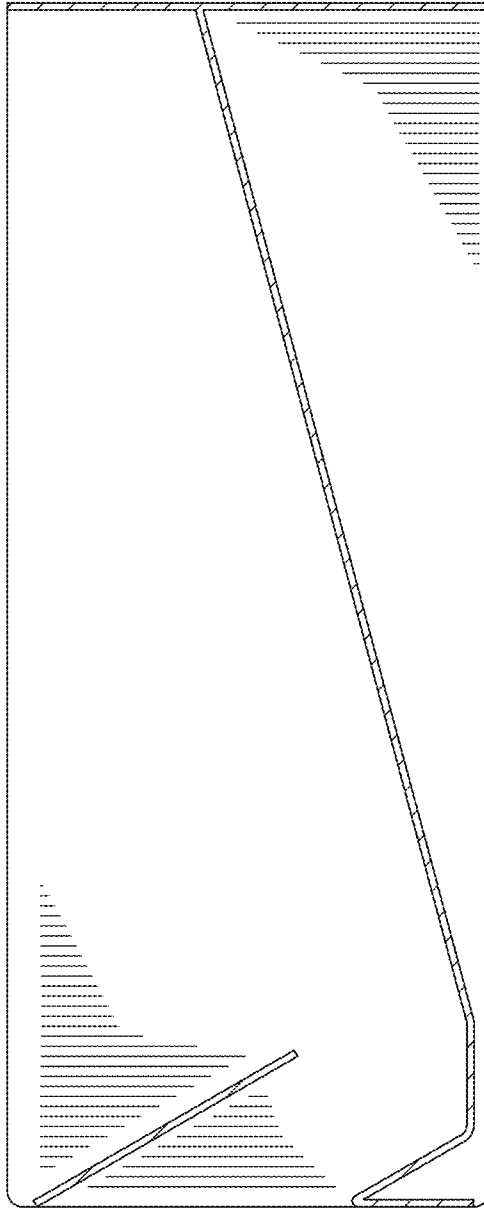


Fig. 14