



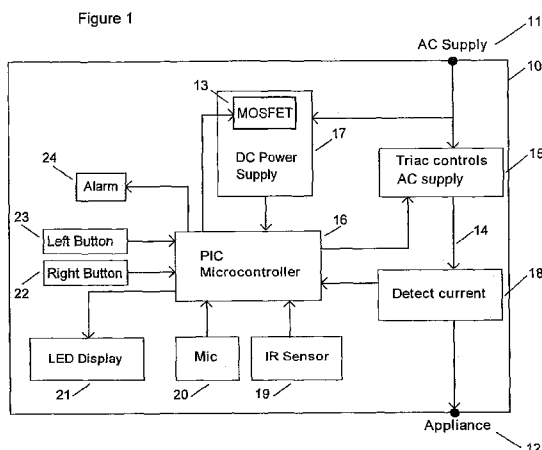
- (51) **International Patent Classification:**  
H02J 9/00 (2006.01) H02H 3/00 (2006.01)
- (21) **International Application Number:**  
PCT/GB2010/000330
- (22) **International Filing Date:**  
24 February 2010 (24.02.2010)
- (25) **Filing Language:** English
- (26) **Publication Language:** English
- (30) **Priority Data:**  
0903117.0 24 February 2009 (24.02.2009) GB
- (71) **Applicant (for all designated States except US):** POW-  
ERTRIP INNOVATIONS LIMITED [GB/GB]; Flat 1,  
24 Bartholomew Square, London EC1V 3QT (GB).
- (72) **Inventors; and**
- (75) **Inventors/Applicants (for US only):** ENGLAND,  
Alexander [GB/GB]; Flat 1, 24 Bartholomew Square,  
London EC1V 3QT (GB). FAN, Chengge [SG/SG]; 2b  
Hong San Walk, #14-07, Singapore 689048 (SG).
- (74) **Agent:** PONDER, William, Anthony, John; Reddie &  
Grose, 16 Theobalds Road, London WC1X 8PL (GB).
- (81) **Designated States (unless otherwise indicated, for every  
kind of national protection available):** AE, AG, AL, AM,  
AO, AT, AU, AZ, BA, BB, BG, BH, BR, BW, BY, BZ,

CA, CH, CL, CN, CO, CR, CU, CZ, DE, DK, DM, DO,  
DZ, EC, EE, EG, ES, FI, GB, GD, GE, GH, GM, GT,  
HN, HR, HU, ID, IL, IN, IS, JP, KE, KG, KM, KN, KP,  
KR, KZ, LA, LC, LK, LR, LS, LT, LU, LY, MA, MD,  
ME, MG, MK, MN, MW, MX, MY, MZ, NA, NG, NI,  
NO, NZ, OM, PE, PG, PH, PL, PT, RO, RS, RU, SC, SD,  
SE, SG, SK, SL, SM, ST, SV, SY, TH, TJ, TM, TN, TR,  
TT, TZ, UA, UG, US, UZ, VC, VN, ZA, ZM, ZW.

- (84) **Designated States (unless otherwise indicated, for every  
kind of regional protection available):** ARIPO (BW, GH,  
GM, KE, LS, MW, MZ, NA, SD, SL, SZ, TZ, UG, ZM,  
ZW), Eurasian (AM, AZ, BY, KG, KZ, MD, RU, TJ,  
TM), European (AT, BE, BG, CH, CY, CZ, DE, DK, EE,  
ES, FI, FR, GB, GR, HR, HU, IE, IS, IT, LT, LU, LV,  
MC, MK, MT, NL, NO, PL, PT, RO, SE, SI, SK, SM,  
TR), OAPI (BF, BJ, CF, CG, CI, CM, GA, GN, GQ, GW,  
ML, MR, NE, SN, TD, TG).

- Published:**
  - with international search report (Art. 21(3))
  - before the expiration of the time limit for amending the  
claims and to be republished in the event of receipt of  
amendments (Rule 48.2(h))
- (88) **Date of publication of the international search report:**  
29 December 2010

(54) **Title:** ELECTRICAL POWER MANAGEMENT DEVICE



(57) **Abstract:** The present invention provides a device for managing power consumption of an electrical appliance connectable to an external power supply, comprising: an input connectable to the power supply; an output connectable to the electrical appliance; a switchable electrical connection between the input and the output to permit or prevent the supply of electrical power from the external power supply to the electrical appliance through the device; a sensor for providing an output signal indicative of the current supplied to the electrical appliance through the switchable electrical connection or indicative of an environmental condition; and a microcontroller connected to the sensor and to the switchable electrical connection that, in response to a predetermined output signal from the sensor, prevents the supply of electrical power to the electrical appliance and to the microcontroller. A device in accordance with the present invention is operable to reduce power consumption of electrical appliances and can enter a mode in which it consumes no power itself, leading to zero total power consumption.

WO 2010/097580 A3

# INTERNATIONAL SEARCH REPORT

International application No  
PCT/GB2010/000330

**A. CLASSIFICATION OF SUBJECT MATTER**  
INV. H02J9/00 H02H3/00  
ADD.

According to International Patent Classification (IPC) or to both national classification and IPC

**B. FIELDS SEARCHED**

Minimum documentation searched (classification system followed by classification symbols)  
H02J H02H

Documentation searched other than minimum documentation to the extent that such documents are included in the fields searched

Electronic data base consulted during the international search (name of data base and, where practical, search terms used)

EPO-Internal, WPI Data

**C. DOCUMENTS CONSIDERED TO BE RELEVANT**

Category*	Citation of document, with indication, where appropriate, of the relevant passages	Relevant to claim No.
X	WO 2008/139215 A1 (ECO TECHNOLOGY CORP [SC]; STANFORD-CLARK ANDREW JAMES [GB]) 20 November 2008 (2008-11-20)	2-13, 17-19
Y	* abstract figure 1 page 3, lines 7-8,9,13-18 page 4, paragraph 17-18 paragraphs [0032] - [0033] page 8, paragraph 44-45 page 11, paragraph 62	1,14-16, 20
Y	EP 1 708 331 A2 (PIRCAR S R L [IT]) 4 October 2006 (2006-10-04)	1,20
A	* abstract figure 2 column 6; claim 8 paragraphs [0007] - [0024]	2-19
	-/--	

Further documents are listed in the continuation of Box C.

See patent family annex.

\* Special categories of cited documents :

- "A" document defining the general state of the art which is not considered to be of particular relevance
- "E" earlier document but published on or after the international filing date
- "L" document which may throw doubts on priority claim(s) or which is cited to establish the publication date of another citation or other special reason (as specified)
- "O" document referring to an oral disclosure, use, exhibition or other means
- "P" document published prior to the international filing date but later than the priority date claimed

- "T" later document published after the international filing date or priority date and not in conflict with the application but cited to understand the principle or theory underlying the invention
- "X" document of particular relevance; the claimed invention cannot be considered novel or cannot be considered to involve an inventive step when the document is taken alone
- "Y" document of particular relevance; the claimed invention cannot be considered to involve an inventive step when the document is combined with one or more other such documents, such combination being obvious to a person skilled in the art.
- "&" document member of the same patent family

Date of the actual completion of the international search

4 November 2010

Date of mailing of the international search report

12/11/2010

Name and mailing address of the ISA/

European Patent Office, P.B. 5818 Patentlaan 2  
NL - 2280 HV Rijswijk  
Tel. (+31-70) 340-2040,  
Fax: (+31-70) 340-3016

Authorized officer

Fiat, Cyrille

## INTERNATIONAL SEARCH REPORT

International application No

PCT/GB2010/000330

C(Continuation). DOCUMENTS CONSIDERED TO BE RELEVANT		
Category*	Citation of document, with indication, where appropriate, of the relevant passages	Relevant to claim No.
Y	WO 93/09634 A1 (EM EVOLUTION AB [SE]) 13 May 1993 (1993-05-13)	1,14-16
A	* abstract figures 1,4 page 8, lines 9-10,29-32 page 1 - page 9	2-13
A	----- GB 2 425 225 A (GREEN ROGER [GB]) 18 October 2006 (2006-10-18) * abstract page 3 - page 9 figures 1-3	1-20
A	----- EP 1 087 494 A2 (ECOTRAFO S N C [IT]) 28 March 2001 (2001-03-28) * abstract figure 2	1
Y	----- US 4 600 948 A (DANGSCHAT RAINER [DE]) 15 July 1986 (1986-07-15) * abstract column 1, lines 9-12 -----	1

# INTERNATIONAL SEARCH REPORT

Information on patent family members

International application No PCT/GB2010/000330
---

Patent document cited in search report	Publication date	Publication date	Patent family member(s)	Publication date
WO 2008139215	A1	20-11-2008	GB 2436979 A US 2010194358 A1	10-10-2007 05-08-2010
EP 1708331	A2	04-10-2006	US 2006232333 A1	19-10-2006
WO 9309634	A1	13-05-1993	AU 2932692 A DE 69227034 D1 DE 69227034 T2 EP 0611510 A1 SE 470300 B SE 9103304 A	07-06-1993 22-10-1998 15-04-1999 24-08-1994 10-01-1994 09-05-1993
GB 2425225	A	18-10-2006	NONE	
EP 1087494	A2	28-03-2001	IT PS990015 A1	15-03-2001
US 4600948	A	15-07-1986	EP 0075214 A1 JP 58069170 A	30-03-1983 25-04-1983