



US00D952381S

(12) **United States Design Patent**  
**Gatto et al.**

(10) **Patent No.:** **US D952,381 S**  
(45) **Date of Patent:** **\*\* May 24, 2022**

- (54) **PRODUCT DISPLAY UNIT**
- (71) Applicant: **Marmon Foodservice Technologies, Inc.**, Osseo, MN (US)
- (72) Inventors: **Daniel Gatto**, Brooklyn, NY (US);  
**Jonathan Andrew Hughes**, Wyndmoor, PA (US); **Douglas E. Best**, Long Beach, NY (US)
- (73) Assignee: **Marmon Foodservice Technologies, Inc.**, Osseo, MN (US)
- (\*\*) Term: **15 Years**
- (21) Appl. No.: **29/712,534**
- (22) Filed: **Nov. 8, 2019**
- (51) **LOC (13) Cl.** ..... **06-06**
- (52) **U.S. Cl.**  
USPC ..... **D6/702; D6/672**
- (58) **Field of Classification Search**  
USPC ..... D6/672, 702, 703, 703.1, 705, 705.1,  
D6/705.5, 512, 513, 515  
CPC ..... A47F 1/00; A47F 1/04; A47F 1/12; A47F  
1/125  
See application file for complete search history.

- 5,531,336 A \* 7/1996 Parham ..... A47F 5/005  
211/183
  - 5,645,176 A \* 7/1997 Jay ..... A47F 1/12  
211/59.2
  - D401,437 S \* 11/1998 Primiano ..... D6/705.1
  - D402,490 S \* 12/1998 Parham ..... D6/702
- (Continued)

**OTHER PUBLICATIONS**

Pictures and graphical representations of products commercially available as of Aug. 23, 2019.  
(Continued)

*Primary Examiner* — Steven J Czyz  
(74) *Attorney, Agent, or Firm* — Andrus Intellectual Property Law, LLP

(57) **CLAIM**

The ornamental design for a product display unit, as shown and described.

**DESCRIPTION**

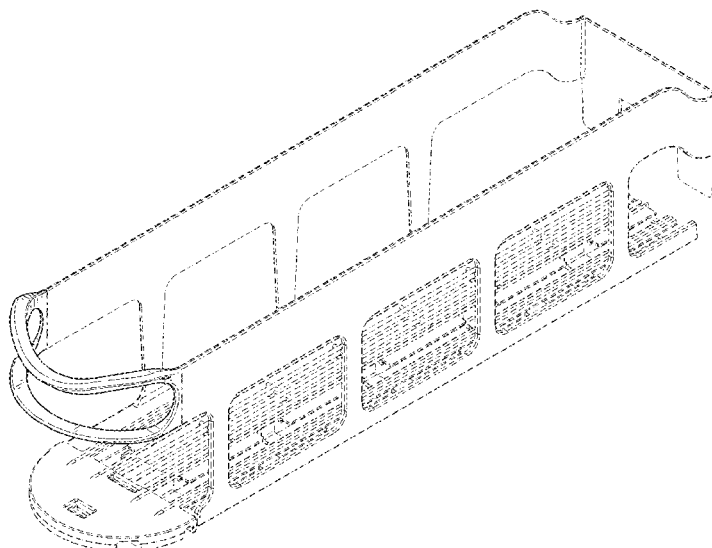
FIG. 1 is a top front right side perspective view of a product display unit;  
FIG. 2 is a bottom front left side perspective view thereof;  
FIG. 3 is a top rear left side perspective view thereof;  
FIG. 4 is a top rear right side perspective view thereof;  
FIG. 5 is a front elevation view thereof;  
FIG. 6 is a rear elevation view thereof;  
FIG. 7 is a left side elevation view thereof;  
FIG. 8 is a right side elevation view thereof;  
FIG. 9 is a top plan view thereof; and,  
FIG. 10 is a bottom plan view thereof.  
The dash-dot-dash broken lines represent the boundaries of the claimed design and form no part of the claimed design. The broken lines outside of the boundaries represent portions of the product display unit that form no part of the claimed design.

(56) **References Cited**

**U.S. PATENT DOCUMENTS**

- 2,218,444 A \* 10/1940 Vineyard ..... A47F 1/12  
211/59.2
- D255,964 S \* 7/1980 Anderson ..... D6/705.1
- 4,785,943 A \* 11/1988 Deffner ..... A47F 1/12  
211/128.1
- 5,027,957 A \* 7/1991 Skalski ..... A47F 1/126  
211/59.3
- 5,123,546 A \* 6/1992 Crum ..... A47F 1/126  
206/556
- D341,508 S \* 11/1993 Cooper ..... D25/119
- 5,366,099 A \* 11/1994 Schmid ..... A47F 1/126  
211/175

**1 Claim, 9 Drawing Sheets**



(56)

References Cited

U.S. PATENT DOCUMENTS

D405,622 S \* 2/1999 Linz ..... D6/515  
 D405,632 S \* 2/1999 Parham ..... D6/702  
 5,865,324 A \* 2/1999 Jay ..... A47F 7/28  
 211/59.2  
 5,904,256 A 5/1999 Jay  
 D417,975 S \* 12/1999 Linz ..... D6/702  
 6,068,142 A \* 5/2000 Primiano ..... A47F 1/12  
 211/183  
 6,082,556 A \* 7/2000 Primiano ..... A47F 7/28  
 211/59.2  
 6,142,316 A \* 11/2000 Harbour ..... A47F 1/12  
 211/59.2  
 6,142,317 A \* 11/2000 Meri ..... A47F 1/125  
 211/184  
 6,189,734 B1 \* 2/2001 Apps ..... A47F 1/12  
 211/59.2  
 6,227,635 B1 \* 5/2001 Teppo ..... E05D 15/403  
 312/245  
 6,237,784 B1 \* 5/2001 Primiano ..... A47F 1/12  
 211/59.2  
 6,325,221 B2 \* 12/2001 Parham ..... A47F 1/12  
 211/183  
 6,357,606 B1 \* 3/2002 Henry ..... A47F 1/126  
 211/184  
 6,691,891 B2 \* 2/2004 Maldonado ..... A47F 1/125  
 211/59.3  
 6,866,156 B2 \* 3/2005 Nagel ..... A47F 1/126  
 211/59.3  
 7,168,579 B2 \* 1/2007 Richter ..... A47F 1/126  
 211/59.3  
 7,182,209 B2 \* 2/2007 Squitieri ..... A47F 1/12  
 211/184  
 D552,877 S \* 10/2007 Trulaske, Sr. .... D6/706  
 D575,592 S \* 8/2008 Lion ..... D7/601  
 7,469,791 B2 \* 12/2008 Phoy ..... A47F 5/0093  
 211/59.2  
 7,506,769 B2 \* 3/2009 Howerton ..... A47F 1/126  
 211/59.3  
 D608,575 S \* 1/2010 Johnson ..... D6/515  
 D612,646 S \* 3/2010 Johnson ..... D6/515  
 D613,101 S \* 4/2010 Hardy ..... D6/515  
 D613,102 S \* 4/2010 Hardy ..... D6/515  
 7,703,614 B2 \* 4/2010 Schneider ..... A47F 3/14  
 211/59.3  
 D621,644 S \* 8/2010 Johnson ..... A47F 1/04  
 D6/515  
 D621,645 S \* 8/2010 Johnson ..... D6/515  
 7,823,734 B2 \* 11/2010 Hardy ..... A47F 1/125  
 211/59.3  
 D634,609 S \* 3/2011 Bauer ..... D8/376  
 D649,818 S \* 12/2011 Dye ..... D6/705  
 8,496,126 B2 \* 7/2013 Mueller ..... A47F 1/126  
 211/59.3  
 8,720,702 B2 \* 5/2014 Nagel ..... A47F 1/128  
 211/59.3  
 8,739,984 B2 \* 6/2014 Hardy ..... A47F 7/0007  
 211/119.003  
 8,746,468 B2 \* 6/2014 Pouloukefalos ..... A47F 5/005  
 211/59.3  
 8,863,963 B2 \* 10/2014 Hardy ..... A47F 1/04  
 211/59.3  
 8,967,394 B2 \* 3/2015 Hardy ..... A47B 45/00  
 211/59.3

8,978,904 B2 \* 3/2015 Hardy ..... A47F 5/0093  
 211/184  
 9,060,624 B2 \* 6/2015 Hardy ..... A47F 1/12  
 9,107,516 B2 \* 8/2015 Pichel ..... A47F 1/04  
 9,138,075 B2 \* 9/2015 Hardy ..... A47F 5/005  
 9,173,504 B2 \* 11/2015 Hardy ..... A47B 57/585  
 9,226,599 B2 \* 1/2016 Vosschenrich ..... A47F 1/126  
 9,232,864 B2 \* 1/2016 Hardy ..... A47F 1/04  
 9,259,102 B2 \* 2/2016 Hardy ..... A47F 1/12  
 9,265,358 B2 \* 2/2016 Hardy ..... A47F 7/28  
 9,265,362 B2 \* 2/2016 Hardy ..... A47F 5/005  
 9,380,889 B2 \* 7/2016 Howard ..... A47F 7/0007  
 9,392,883 B2 \* 7/2016 Kologe ..... A47F 1/125  
 9,486,088 B2 \* 11/2016 Hardy ..... A47F 5/0093  
 9,622,594 B2 \* 4/2017 Gommermann ..... A47F 1/12  
 9,713,395 B2 7/2017 Pichel  
 9,723,933 B2 8/2017 Howard et al.  
 9,750,354 B2 \* 9/2017 Hardy ..... A47F 7/28  
 D801,734 S \* 11/2017 Turner ..... D6/681.1  
 9,949,577 B2 4/2018 Botta et al.  
 9,955,802 B2 \* 5/2018 Bird ..... A47F 7/28  
 10,034,557 B1 \* 7/2018 Nagel ..... A47F 5/005  
 10,045,637 B2 \* 8/2018 Akins ..... A47F 1/126  
 10,045,642 B2 8/2018 Howard et al.  
 10,092,114 B2 \* 10/2018 Camello ..... A47F 3/02  
 D836,954 S \* 1/2019 Turner ..... D6/675  
 D837,579 S \* 1/2019 Petersen ..... D6/702  
 10,178,909 B2 \* 1/2019 Hardy ..... A47F 7/28  
 10,219,639 B2 \* 3/2019 Howard ..... A47F 5/005  
 10,285,510 B2 \* 5/2019 Hardy ..... A47F 3/14  
 10,441,092 B2 \* 10/2019 Hardy ..... A47F 1/126  
 10,448,756 B2 \* 10/2019 Hardy ..... A47B 57/583  
 10,786,093 B2 \* 9/2020 Pena ..... A47F 5/005  
 D909,106 S \* 2/2021 Maager ..... D6/702  
 D909,107 S \* 2/2021 Maager ..... D6/702  
 10,952,546 B2 \* 3/2021 Hardy ..... A47F 1/126  
 11,045,017 B2 \* 6/2021 Padvoiskis ..... A47F 5/0807  
 2003/0057167 A1 \* 3/2003 Johnson ..... A47F 1/126  
 211/59.3  
 2003/0136750 A1 \* 7/2003 Fujii ..... A47F 5/0093  
 211/90.02  
 2006/0186065 A1 \* 8/2006 Ciesick ..... A47F 1/04  
 211/59.3  
 2007/0068885 A1 \* 3/2007 Busto ..... A47F 1/125  
 211/59.3  
 2008/0257842 A1 \* 10/2008 Mason ..... A47F 1/126  
 211/133.6  
 2009/0039040 A1 \* 2/2009 Johnson ..... A47F 5/0025  
 211/120  
 2010/0107670 A1 \* 5/2010 Kottke ..... A47F 3/14  
 62/250  
 2015/0108074 A1 \* 4/2015 Pichel ..... A47F 1/126  
 211/59.3  
 2015/0157141 A1 \* 6/2015 Neumann ..... A47F 5/0037  
 211/59.2  
 2015/0164241 A1 \* 6/2015 Nagel ..... A47F 1/125  
 211/59.3  
 2015/0366376 A1 \* 12/2015 Filippini ..... A47F 7/0007  
 211/59.3

OTHER PUBLICATIONS

Gatto et al., "Product Display Lens", Design U.S. Appl. No. 29/703,298, filed Aug. 26, 2019.

\* cited by examiner

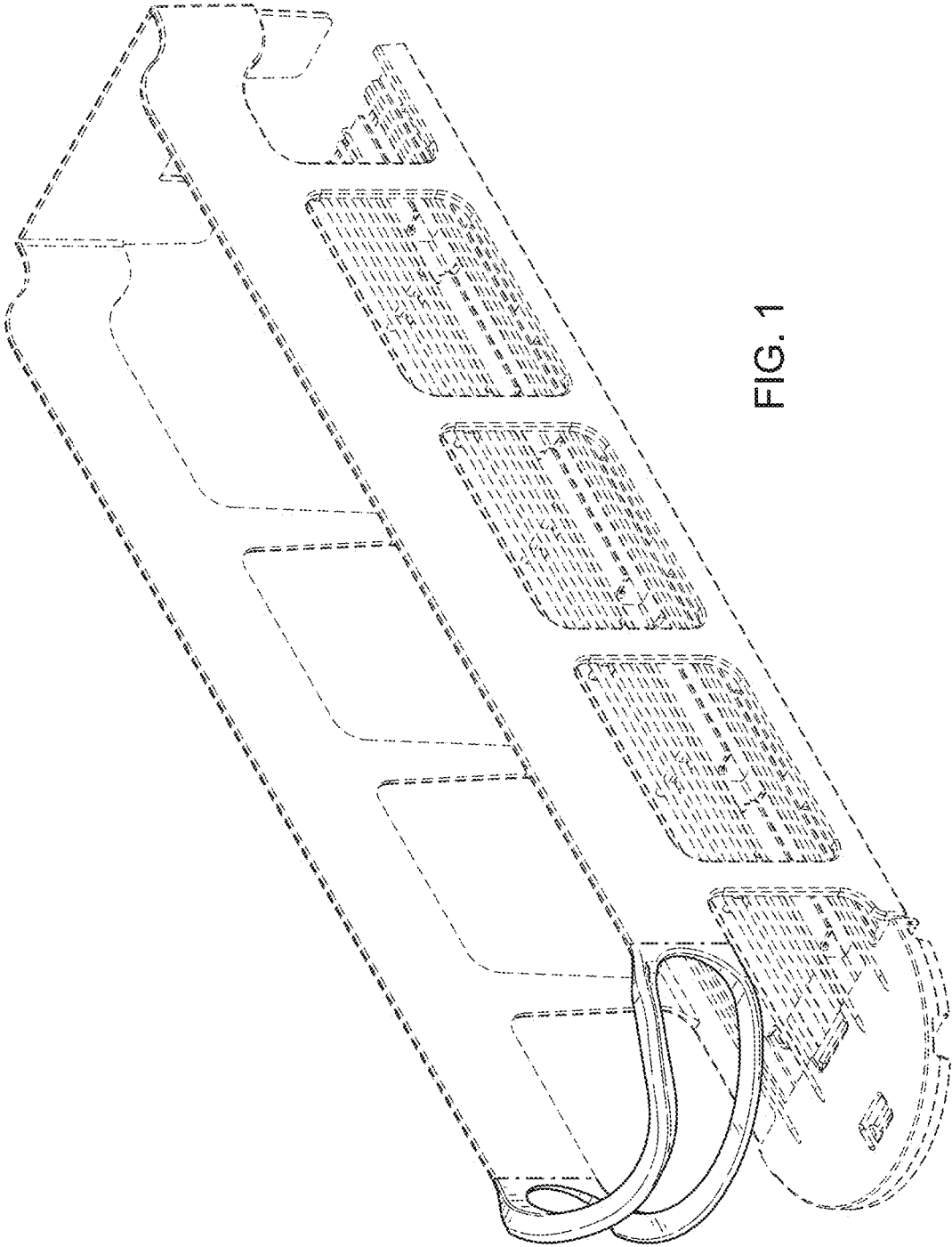


FIG. 1

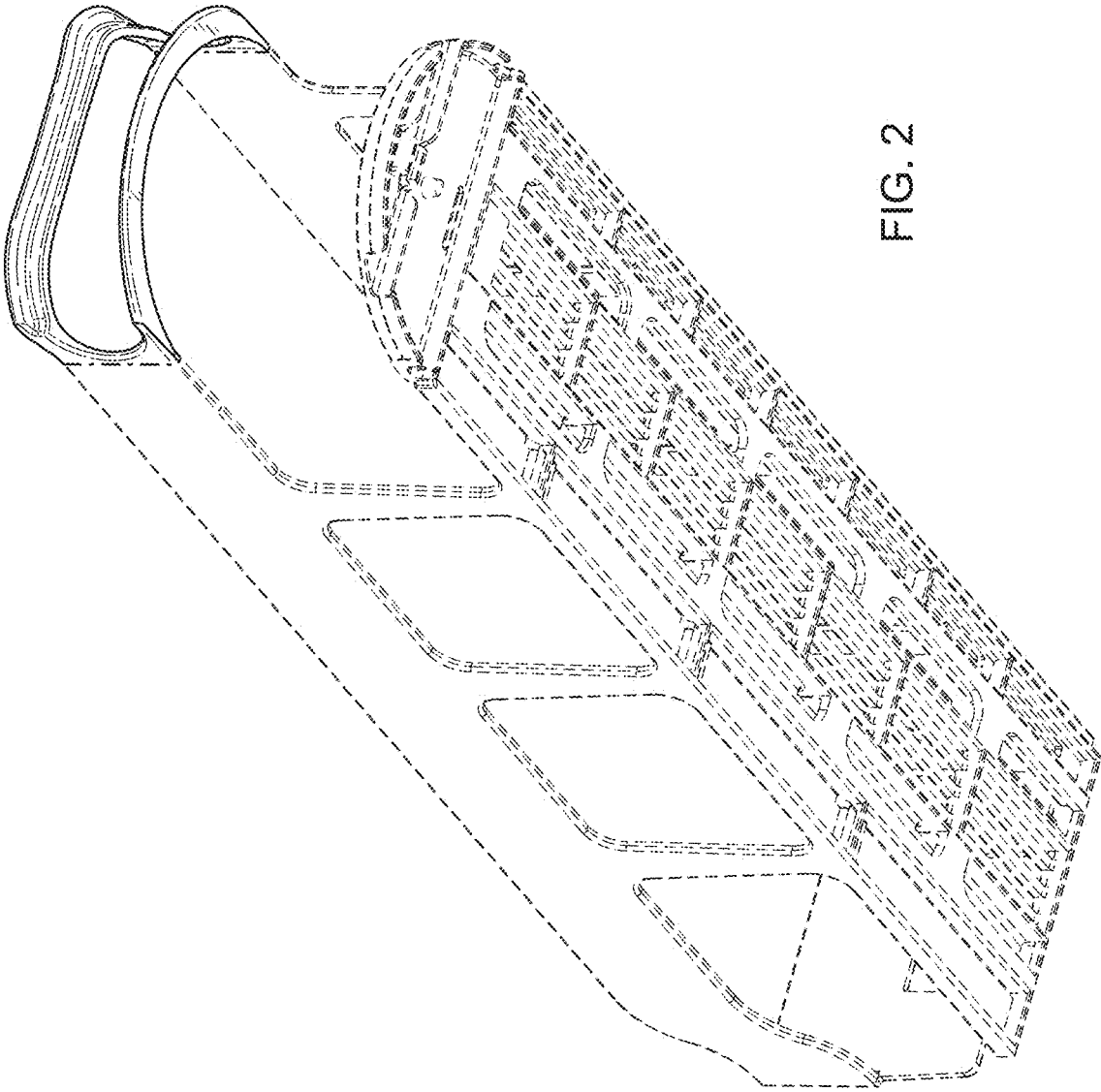


FIG. 2

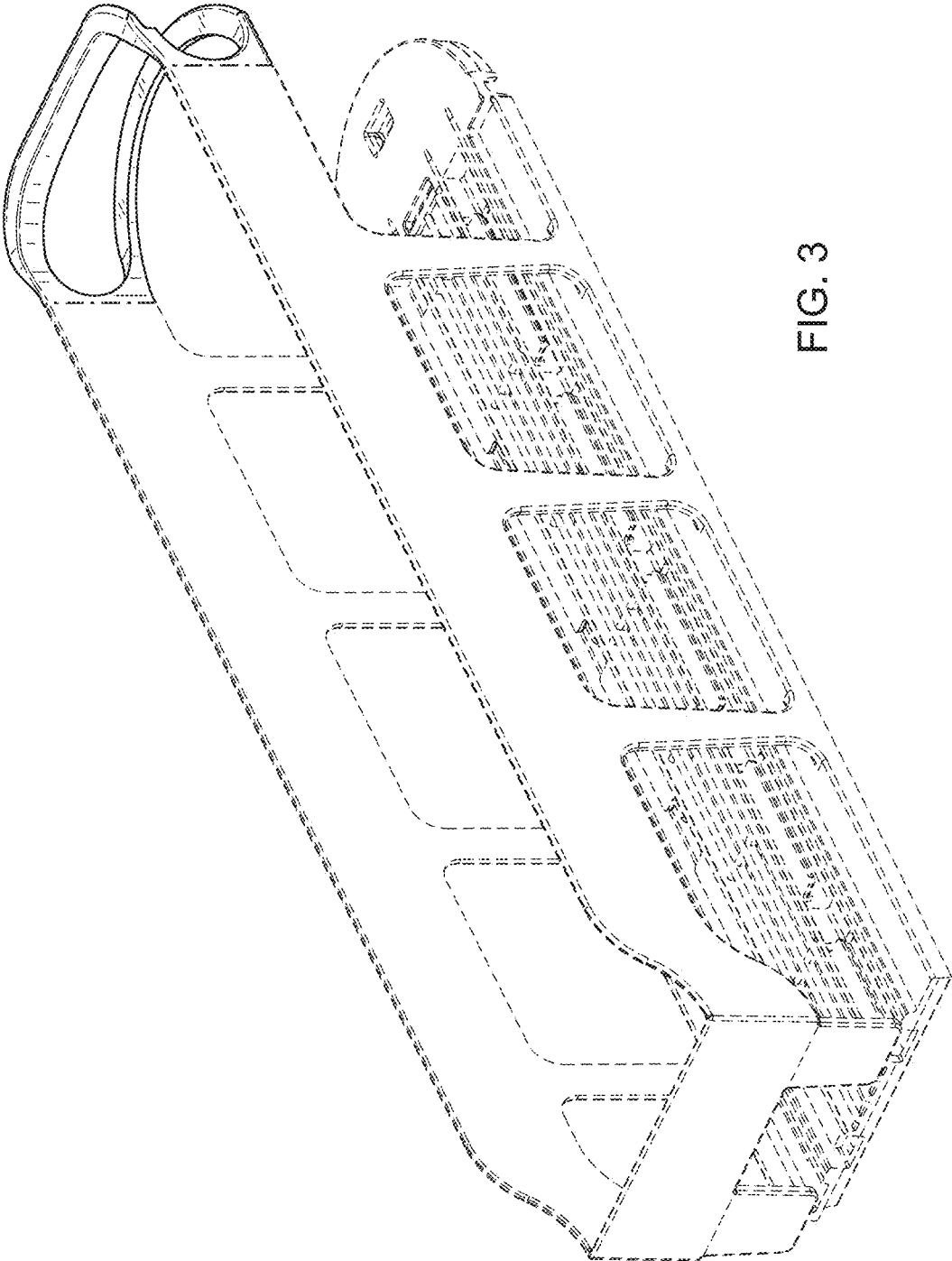


FIG. 3

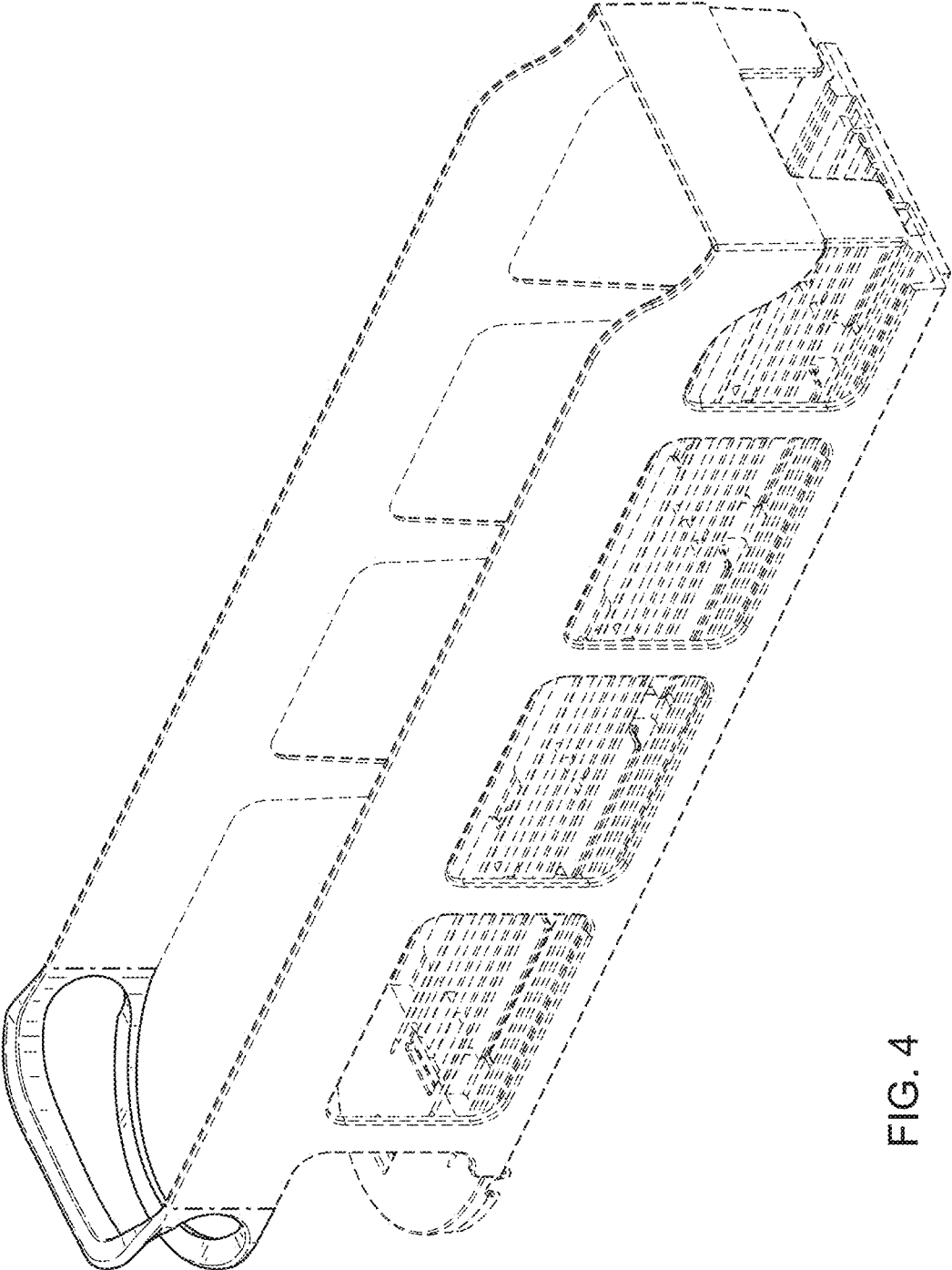


FIG. 4

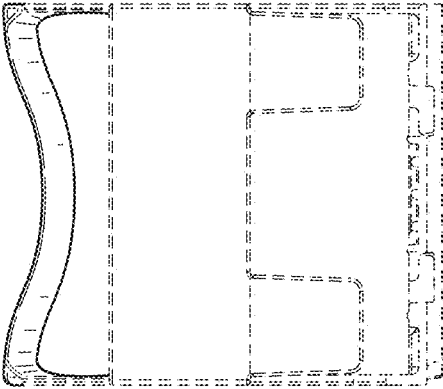


FIG. 5

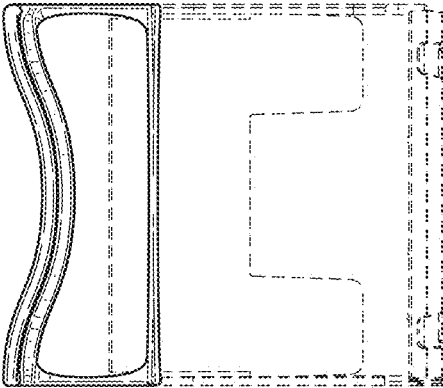


FIG. 6

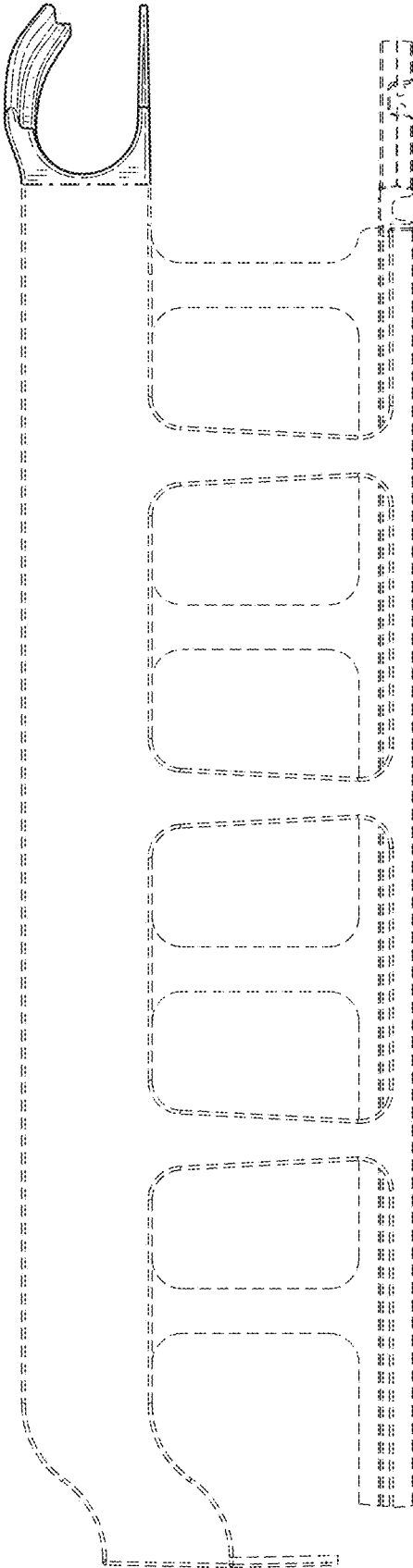


FIG. 7



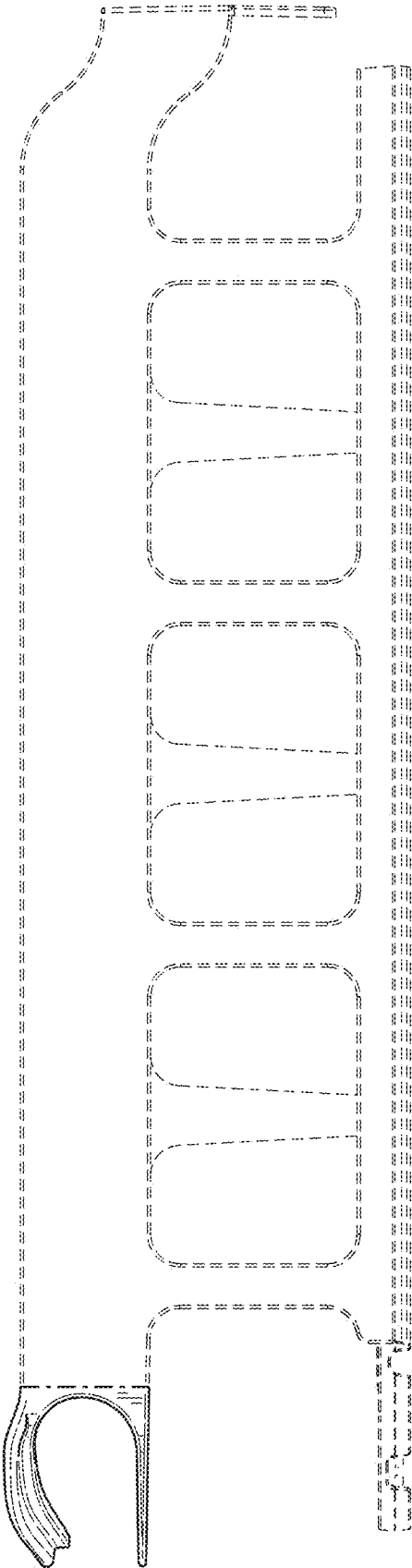


FIG. 8

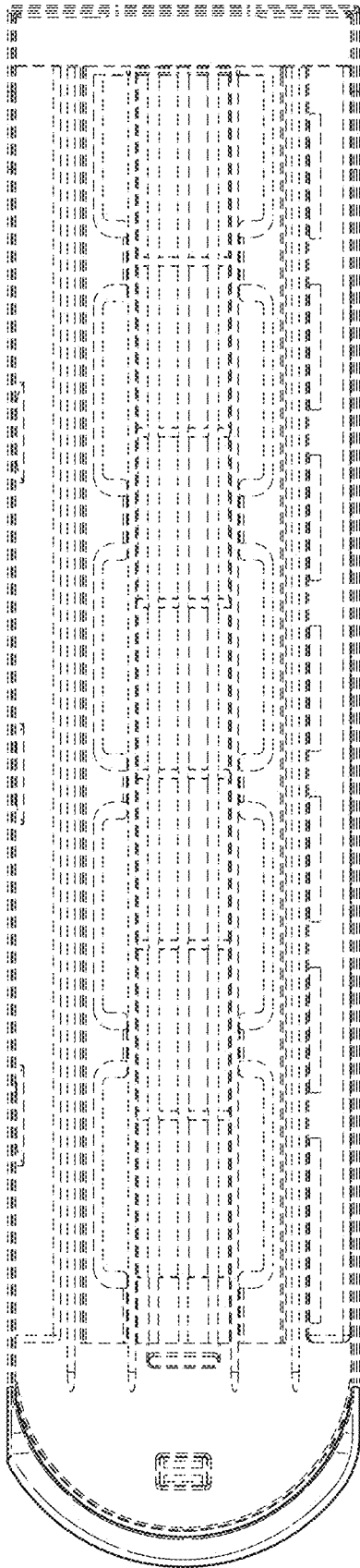


FIG. 9

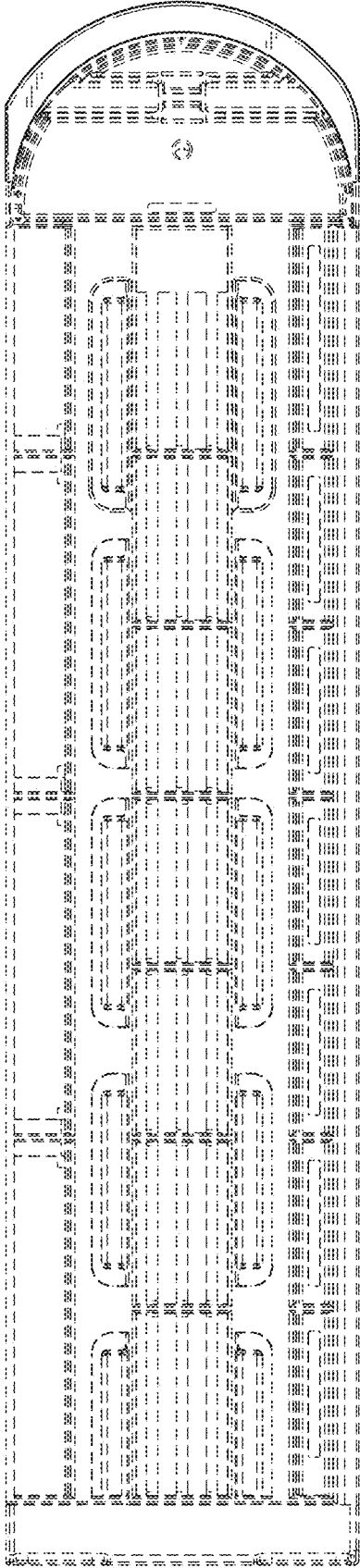


FIG. 10