



US00D792733S

(12) **United States Design Patent**  
**Benson et al.**

(10) **Patent No.:** **US D792,733 S**

(45) **Date of Patent:** **\*\* Jul. 25, 2017**

(54) **FOOD GRILL**

(71) Applicant: **Home Fires Inc.**, Rockford, IL (US)

(72) Inventors: **Jaron H. Benson**, Rockford, IL (US);  
**Sean S. Benson**, Rockford, IL (US)

(\*\*) Term: **15 Years**

(21) Appl. No.: **29/561,824**

(22) Filed: **Apr. 20, 2016**

(51) **LOC (10) Cl.** ..... **07-02**

(52) **U.S. Cl.**  
USPC ..... **D7/334**

(58) **Field of Classification Search**  
USPC ..... D7/213, 323, 324, 325, 326, 327, 328,  
D7/329, 330, 331, 332, 333, 334, 335,  
D7/336, 337, 402, 404, 405, 406, 407  
CPC ..... A47J 33/00; A47J 37/04; A47J 37/041;  
A47J 37/07-37/0713; A47J  
37/0718-37/0727; A47J 37/0731-37/074;  
A47J 2037/0777; A47J 37/0781  
See application file for complete search history.

(56) **References Cited**

**U.S. PATENT DOCUMENTS**

D687,667 S *	8/2013	Chien	.....	D7/334
D688,082 S *	8/2013	Crick	.....	D7/334
D712,191 S *	9/2014	Chung	.....	D7/334
D717,097 S *	11/2014	Lin	.....	D7/334
D737,092 S *	8/2015	Lin	.....	D7/334
D744,775 S *	12/2015	Yang	.....	D7/334

D747,909 S *	1/2016	Simms, II	.....	D7/332
D753,430 S *	4/2016	Wagner	.....	D7/334
2008/0121118 A1 *	5/2008	Sikes	.....	A47J 37/07 99/447
2008/0229937 A1 *	9/2008	Stephen	.....	A47J 37/07 99/421 R
2010/0132689 A1 *	6/2010	Contarino, Jr.	.....	A47J 37/067 126/25 B
2013/0112088 A1 *	5/2013	May	.....	A47J 37/07 99/421 H
2014/0318524 A1 *	10/2014	Measom	.....	A47J 37/0704 126/25 R

\* cited by examiner

*Primary Examiner* — Manpreet Matharu

*Assistant Examiner* — Suzanne Tisdell

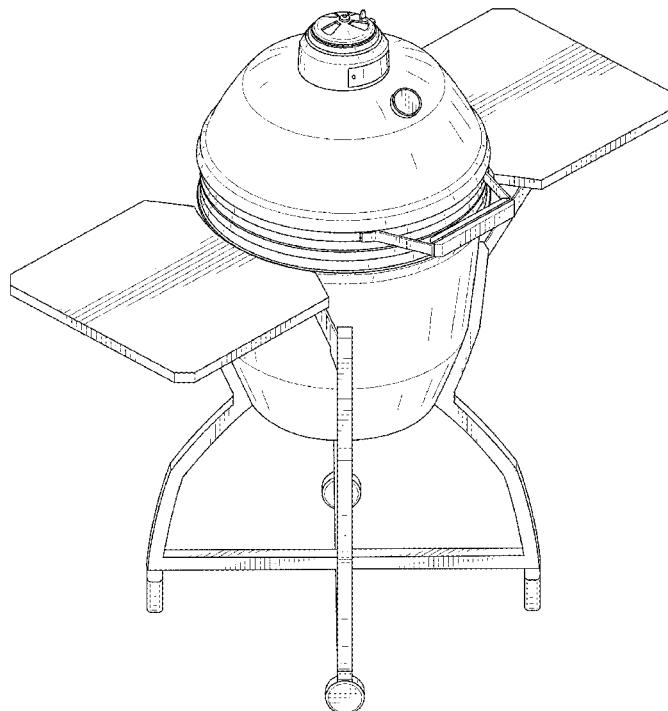
(57) **CLAIM**

The ornamental design for a food grill, as shown and described.

**DESCRIPTION**

FIG. 1 is a perspective view of a food grill showing the new design;  
FIG. 2 is a front view of the food grill of FIG. 1;  
FIG. 3 is a rear view of the food grill of FIG. 1;  
FIG. 4 is a side view of the food grill of FIG. 1;  
FIG. 5 is a side view of the food grill of FIG. 1;  
FIG. 6 is a top view of the food grill of FIG. 1; and,  
FIG. 7 is a bottom view of the food grill of FIG. 1.

**1 Claim, 6 Drawing Sheets**



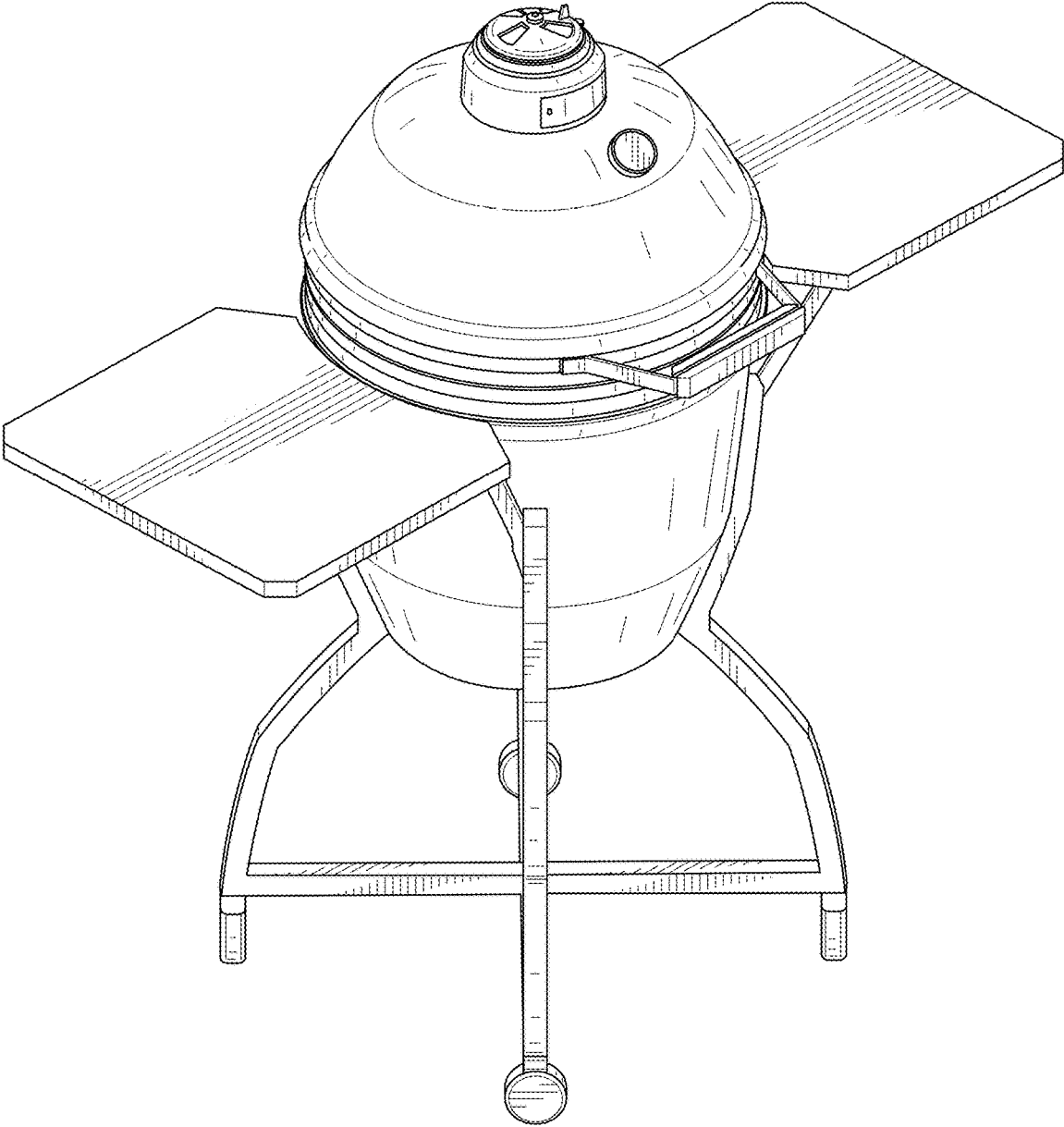


FIG. 1

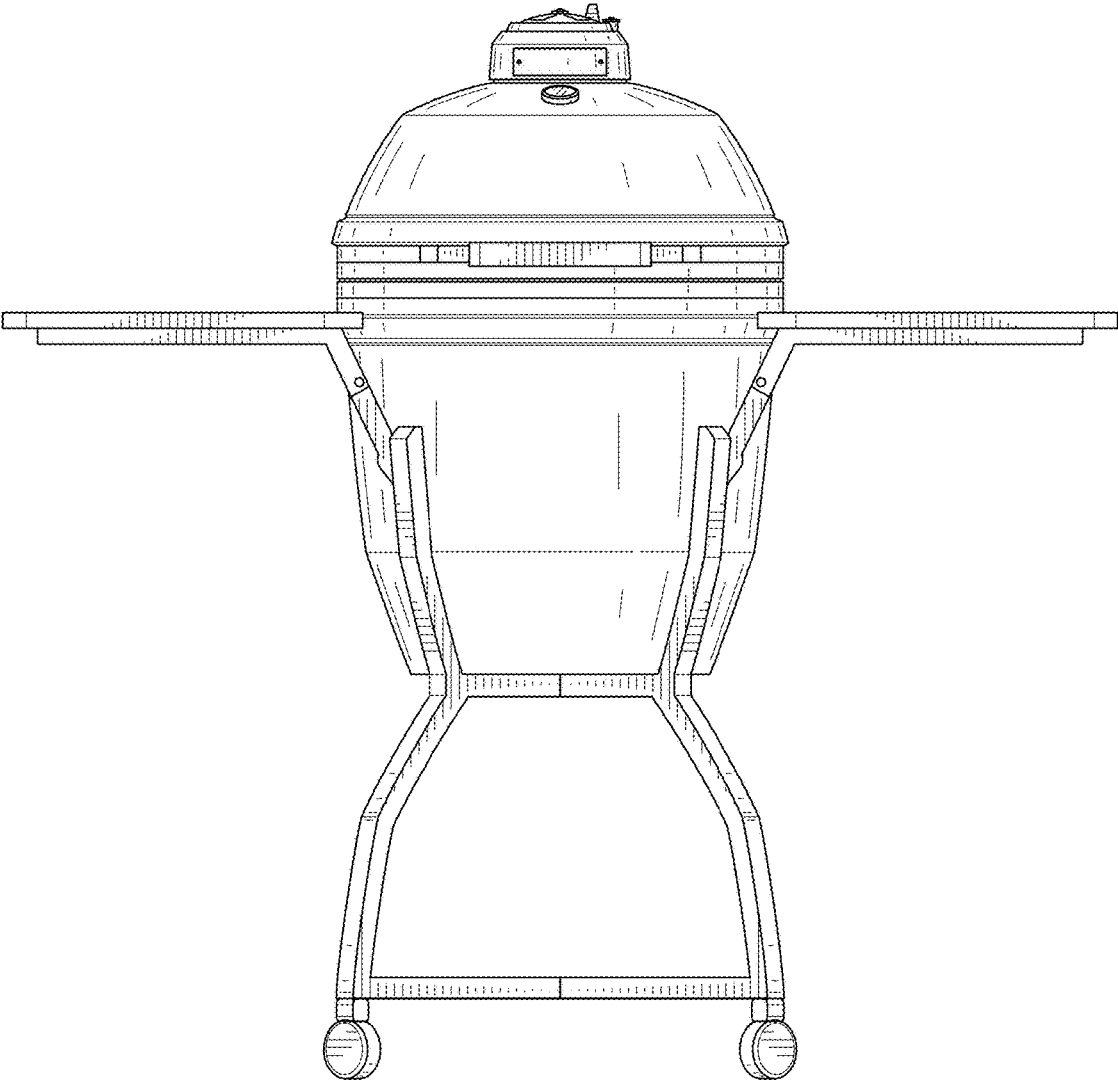


FIG. 2

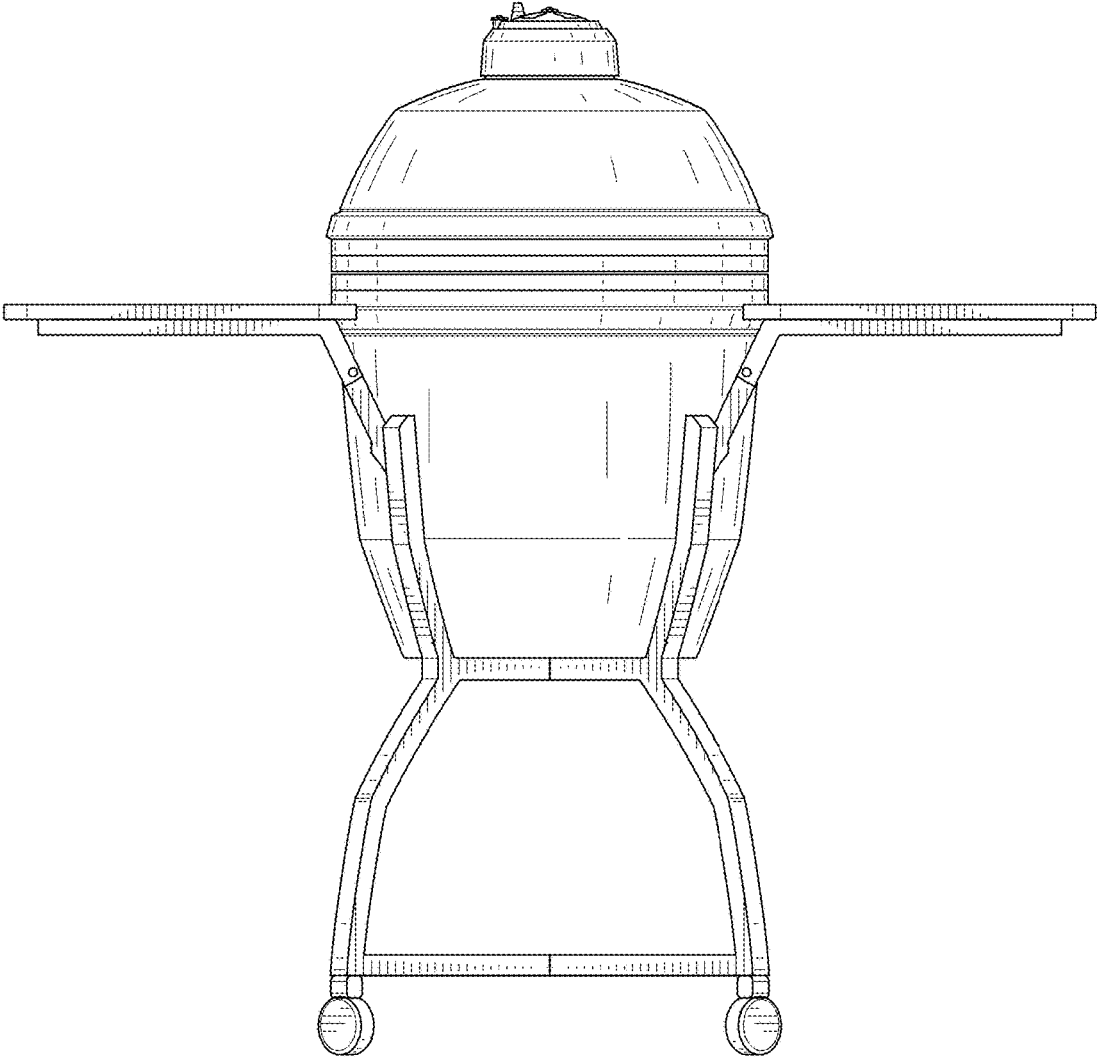


FIG. 3

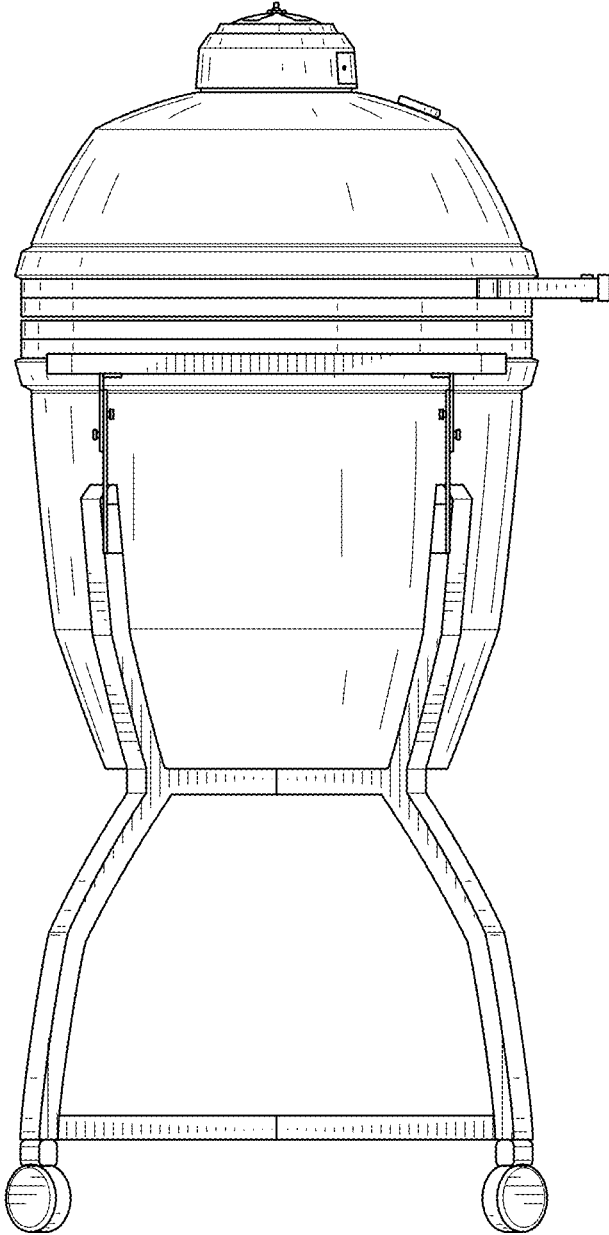


FIG. 4

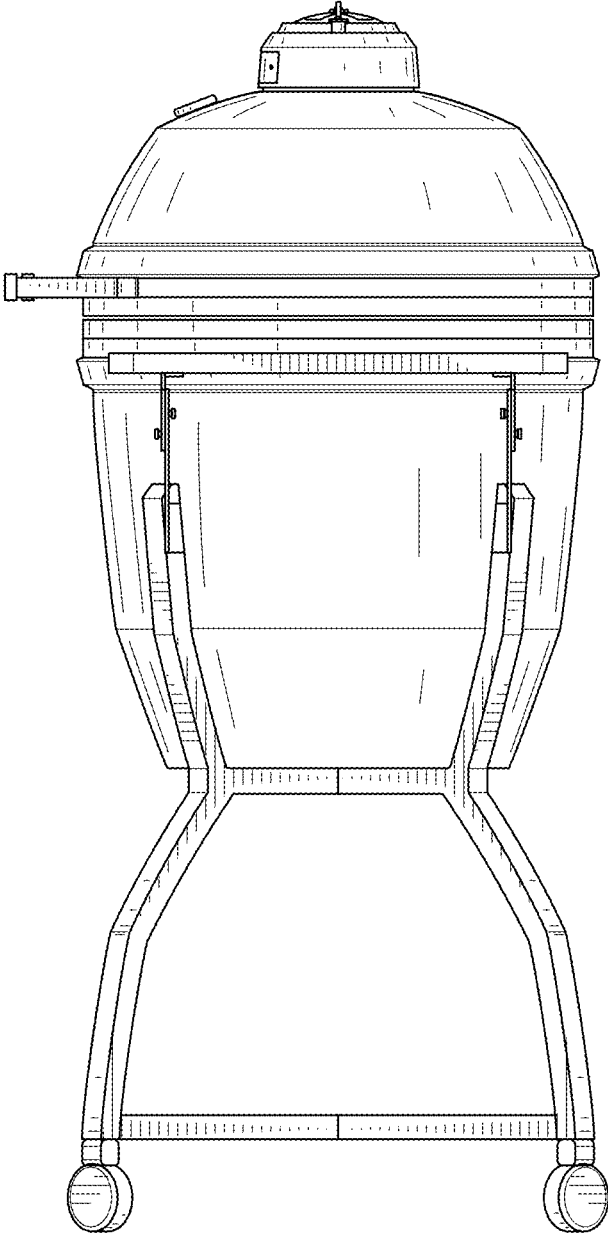


FIG. 5

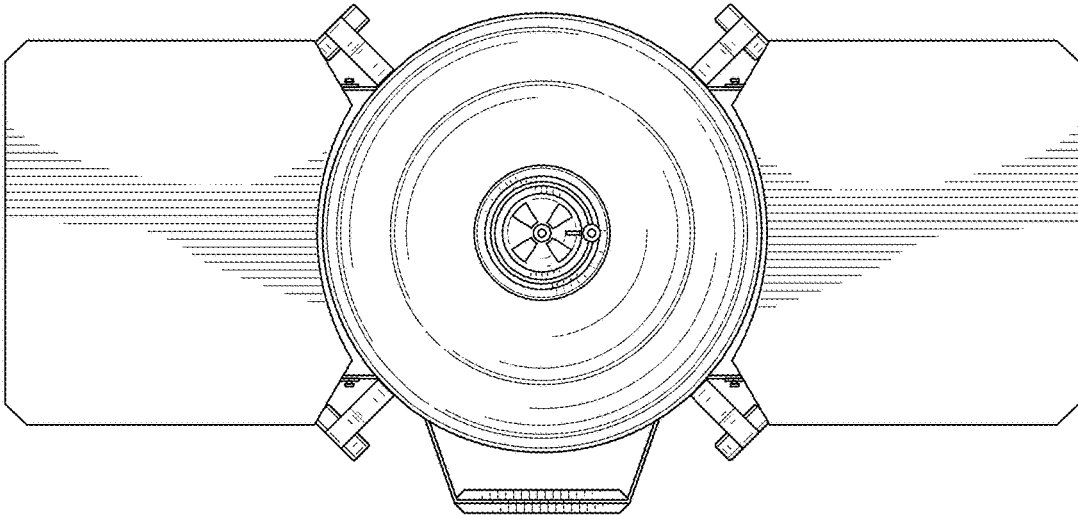


FIG. 6

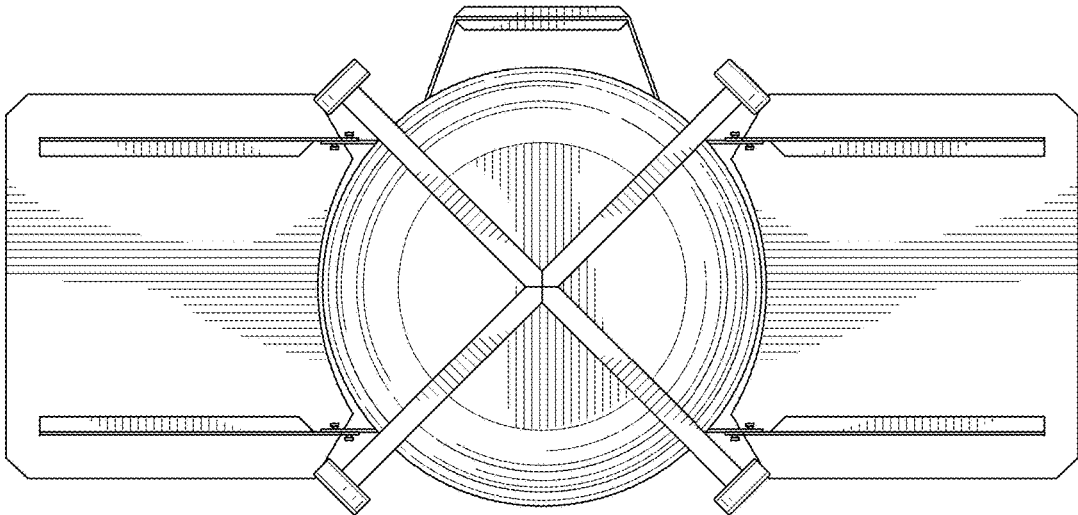


FIG. 7