



(12) **United States Design Patent**  
**Park et al.**

(10) **Patent No.:** **US D816,062 S**  
(45) **Date of Patent:** **\*\* Apr. 24, 2018**

- (54) **SPEAKER**
- (71) Applicant: **SK Telecom Co., Ltd.**, Seoul (KR)
- (72) Inventors: **Yun Jin Park**, Seoul (KR); **Tae Hoon Lee**, Seoul (KR); **Ji Young Park**, Gyeonggi-do (KR); **Min Yi Kim**, Gyeonggi-do (KR); **Mi Kyung Oh**, Seoul (KR)
- (73) Assignee: **SK Telecom Co., Ltd.**, Seoul (KR)
- (\*\*) Term: **15 Years**
- (21) Appl. No.: **29/560,994**
- (22) Filed: **Apr. 12, 2016**

2400/00; H04R 2400/07; H04R 2499/11;  
H04R 2499/13; H04R 2499/15; H04S  
3/00; H04S 7/30

See application file for complete search history.

(56) **References Cited**

**U.S. PATENT DOCUMENTS**

D324,685 S *	3/1992	Strohbeen	.....	D14/210
D324,686 S *	3/1992	Strohbeen	.....	D14/210
D328,899 S *	8/1992	Christie	.....	D14/214
D660,286 S *	5/2012	Lee	.....	D14/214
D698,752 S *	2/2014	Wang	.....	D14/214
D754,101 S *	4/2016	McManigal	.....	D14/214
D755,755 S *	5/2016	Hewitt	.....	D14/214
D771,018 S *	11/2016	Espinosa	.....	D14/214
D774,488 S *	12/2016	Magi	.....	D14/204
D791,214 S *	7/2017	Park	.....	D16/230

\* cited by examiner

*Primary Examiner* — Keli L Hill

(74) *Attorney, Agent, or Firm* — Leanne Taveggia Farrell; David D. Brush; Westman, Champlin & Koehler, P.A.

(57) **CLAIM**

The ornamental design for a speaker, as shown and described.

**DESCRIPTION**

FIG. 1 is a perspective view of a speaker showing our new design;  
FIG. 2 is a front view thereof;  
FIG. 3 is a rear view thereof;  
FIG. 4 is a top view thereof;  
FIG. 5 is a bottom view thereof;  
FIG. 6 is a left side view thereof; and,  
FIG. 7 is a right side view thereof.  
The broken lines shown in the drawings are included for purposes of illustrating portions of the speaker and form no part of the claimed design.

**1 Claim, 4 Drawing Sheets**

(30) **Foreign Application Priority Data**

Jan. 29, 2016 (KR) ..... 30-2016-0004707

(51) **LOC (11) Cl.** ..... **14-03**

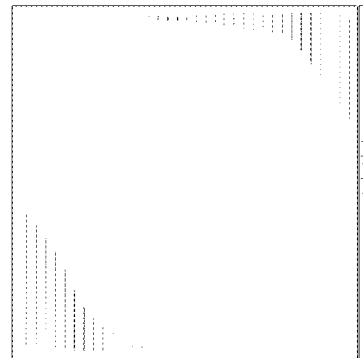
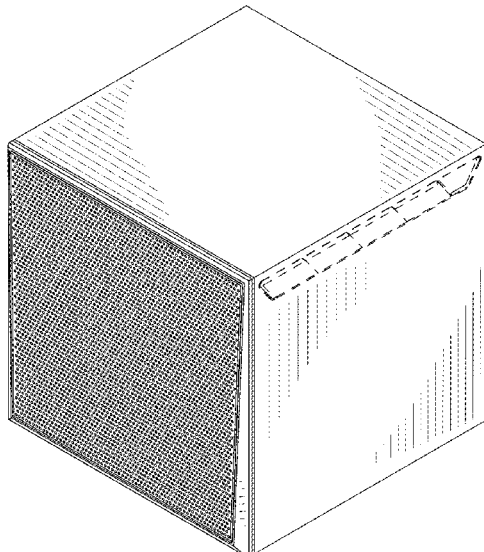
(52) **U.S. Cl.**

USPC ..... **D14/214**

(58) **Field of Classification Search**

USPC ..... D14/167, 168, 170–172, 188, 194–196,  
D14/204, 207, 209.1, 210–216, 219, 221,  
D14/222, 224, 239, 496; 181/143, 144,  
181/147, 148, 150, 153, 157, 198, 199;  
381/300–303, 306, 332, 333, 336, 345,  
381/361–364, 386–388; 369/6–12

CPC ..... B60R 11/0217; G06F 1/1688; G10K 9/22;  
G10K 11/004; H03F 1/327; H04M 1/03;  
H04M 1/035; H04N 5/642; H04N  
21/4852; H04R 1/02; H04R 1/06; H04R  
1/021; H04R 1/025; H04R 1/026; H04R  
1/028; H04R 1/105; H04R 1/323; H04R  
1/403; H04R 1/2803; H04R 1/2834;  
H04R 5/02; H04R 7/20; H04R 9/06;  
H04R 9/025; H04R 2201/021; H04R



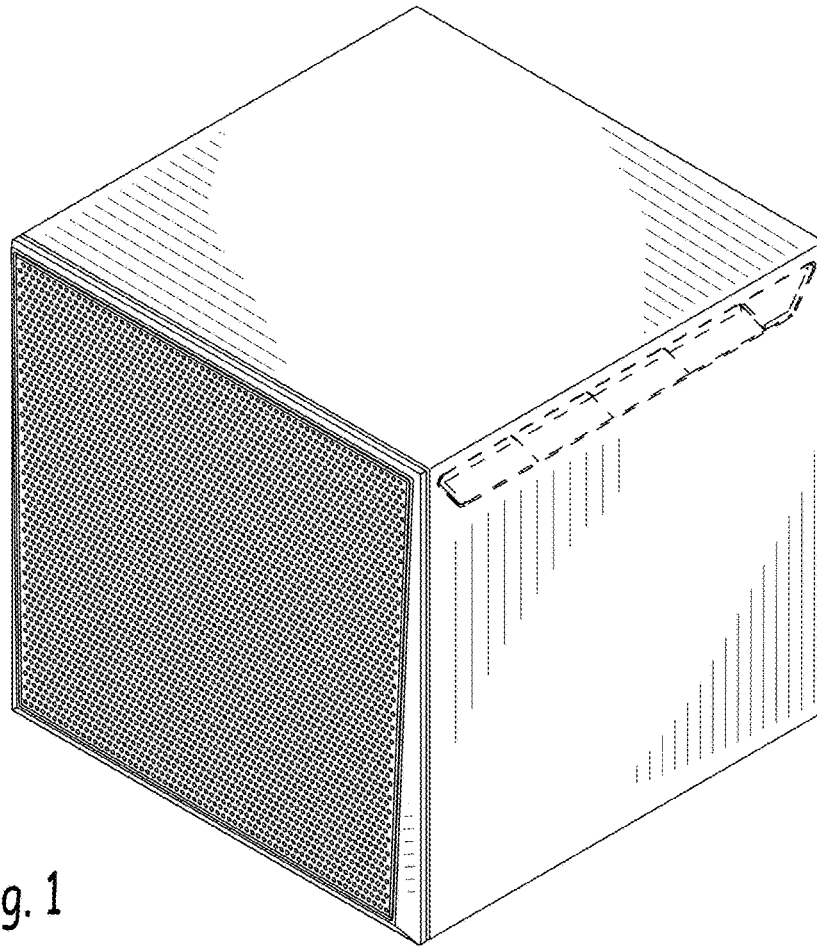


Fig. 1

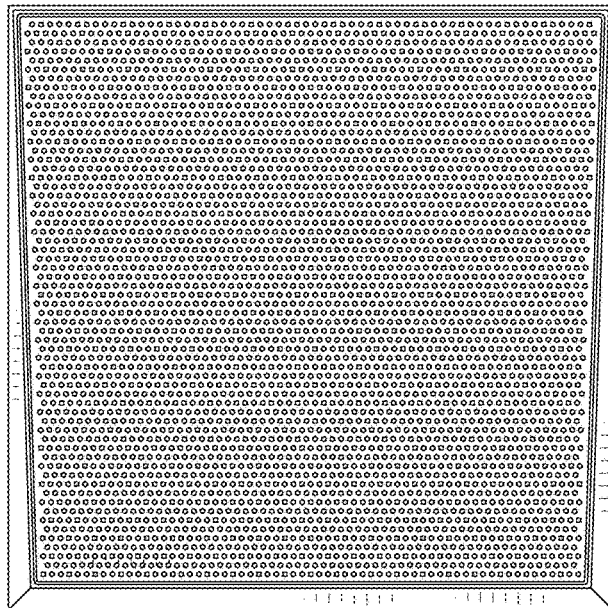


Fig. 2

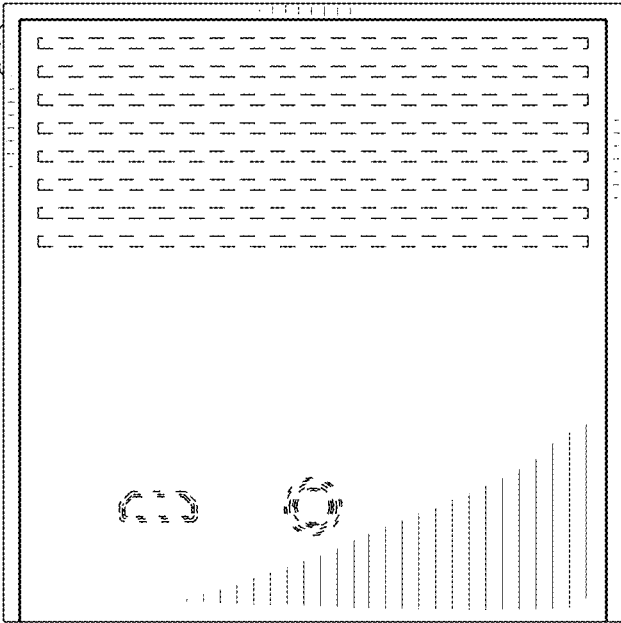


Fig. 3

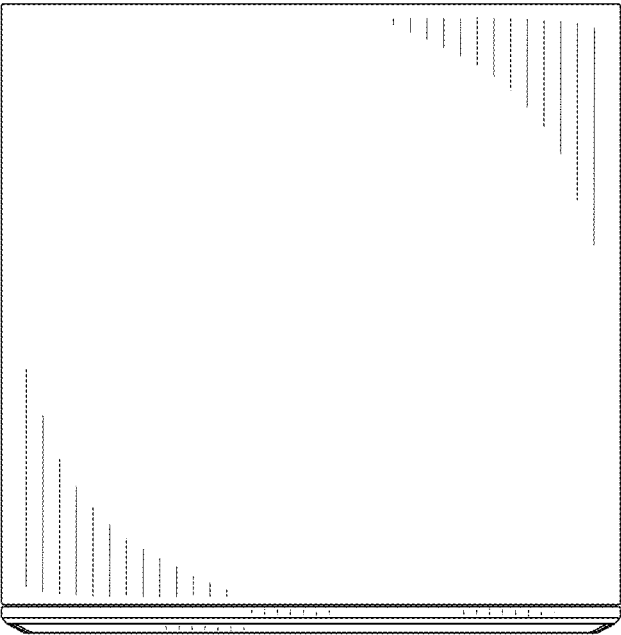


Fig. 4

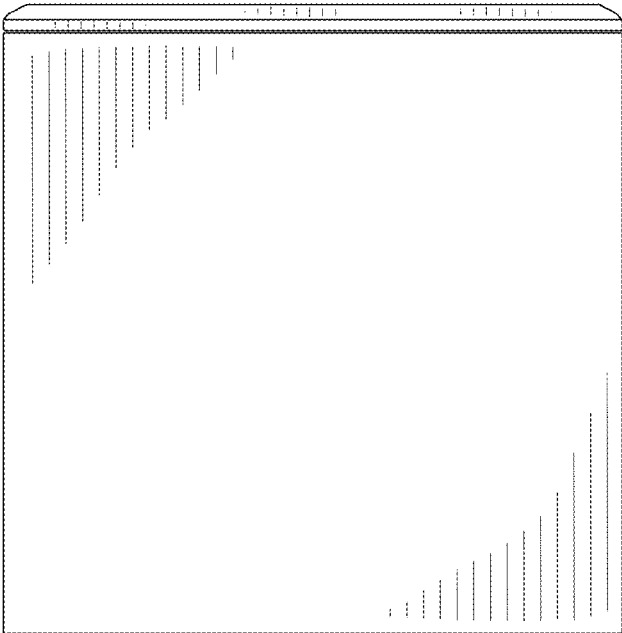


Fig. 5

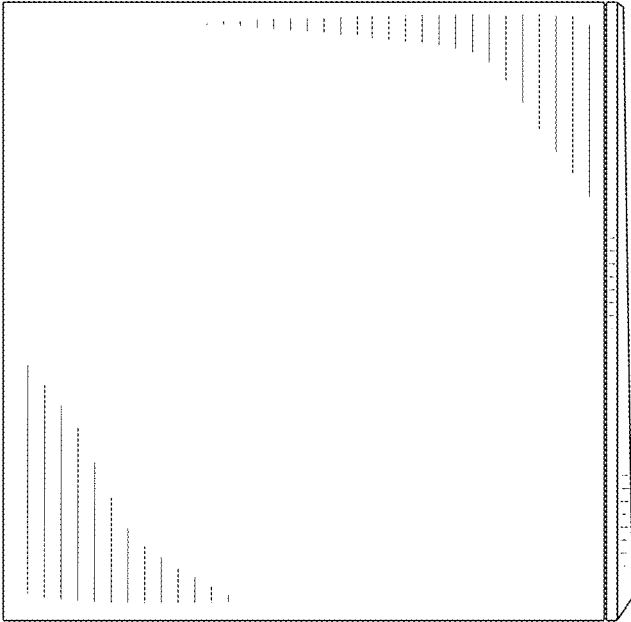


Fig. 6

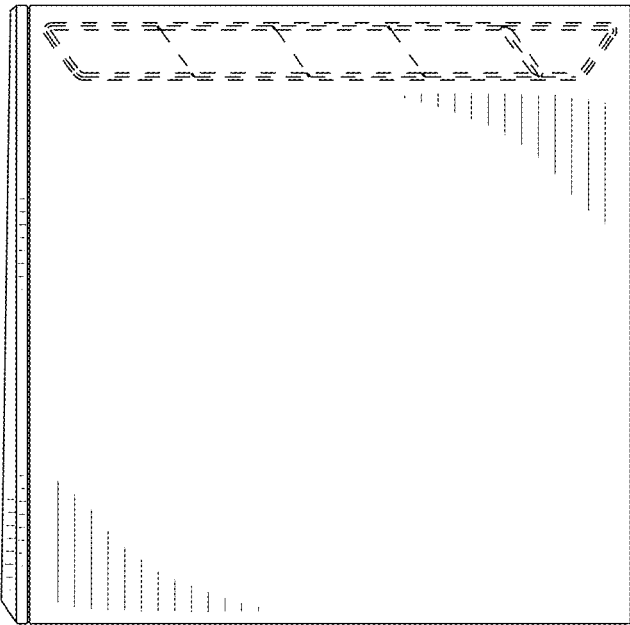


Fig. 7