



US00D644211S

(12) **United States Design Patent**
Hao et al.

(10) **Patent No.:** **US D644,211 S**

(45) **Date of Patent:** **** Aug. 30, 2011**

(54) **SPEAKER**

(75) Inventors: **Ju-Lan Hao**, Shenzhen (CN);
Man-Zhong Wang, Shenzhen (CN);
Te-Hua Lee, Taipei Hsien (TW)
(73) Assignee: **Hon Hai Precision Industry Co., Ltd.**,
Tu-Cheng, New Taipei (TW)

(**) Term: **14 Years**

(21) Appl. No.: **29/362,626**

(22) Filed: **May 27, 2010**

(30) **Foreign Application Priority Data**

Dec. 2, 2009 (TW) 98305732
(51) **LOC (9) Cl.** **14-01**
(52) **U.S. Cl.** **D14/219; D14/225**
(58) **Field of Classification Search** D14/204,
D14/207, 210-216, 219-222, 172, 225-229;
181/143-144, 147-148, 150-153, 157, 198-199;
381/300-303, 306, 332-333, 336, 345, 361-364,
381/386-388

See application file for complete search history.

(56) **References Cited**

U.S. PATENT DOCUMENTS

D105,226 S * 7/1937 Moore D14/226
D195,965 S * 8/1963 Spilman D14/225
D249,682 S * 9/1978 Kushida et al. D14/225
D323,327 S * 1/1992 Davidson D14/219
D448,019 S * 9/2001 Cebe et al. D14/225
D503,398 S * 3/2005 Haase et al. D14/225
D567,807 S * 4/2008 Bodley et al. D14/225

* cited by examiner

Primary Examiner — Nanda Bondade

(74) *Attorney, Agent, or Firm* — Altis Law Group, Inc.

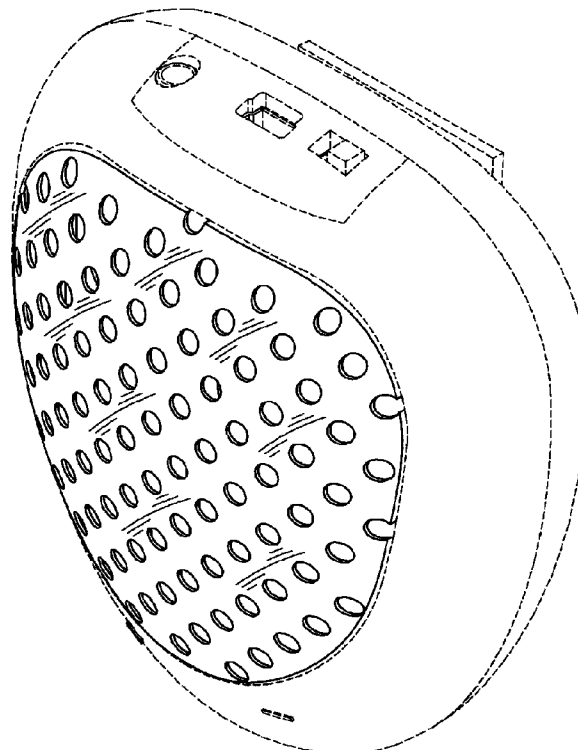
(57) **CLAIM**

The ornamental design for a speaker, as shown and described.

DESCRIPTION

FIG. 1 is a perspective view of a speaker showing our design;
FIG. 2 is a front elevational view thereof;
FIG. 3 is a rear elevational view thereof;
FIG. 4 is a left side, elevational view thereof;
FIG. 5 is a right side, elevational view thereof;
FIG. 6 is a top plan view thereof;
FIG. 7 is a bottom plan view thereof; and,
FIG. 8 is another perspective view of FIG. 1.
Broken lines shown in the drawings are for illustrative pur-
poses only, and form no part of the claimed design.

1 Claim, 8 Drawing Sheets



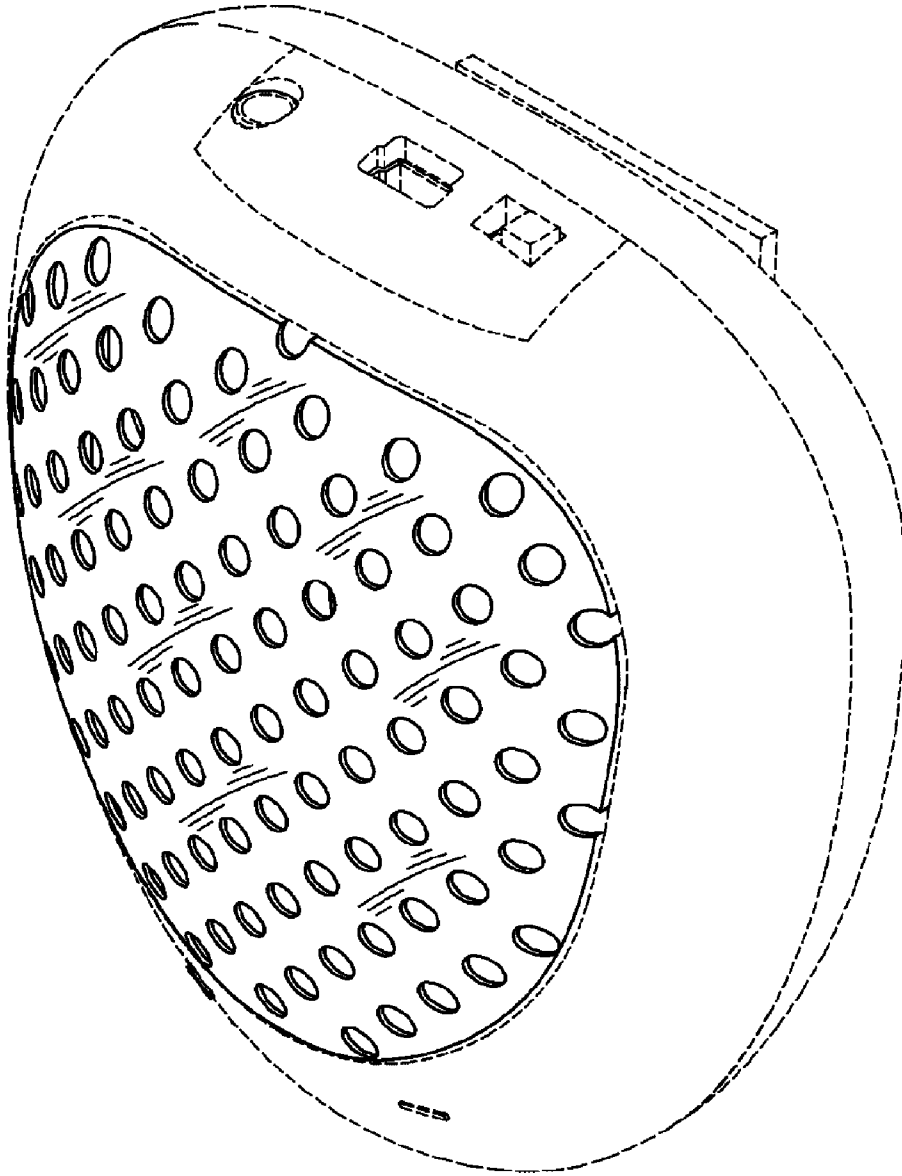


FIG. 1

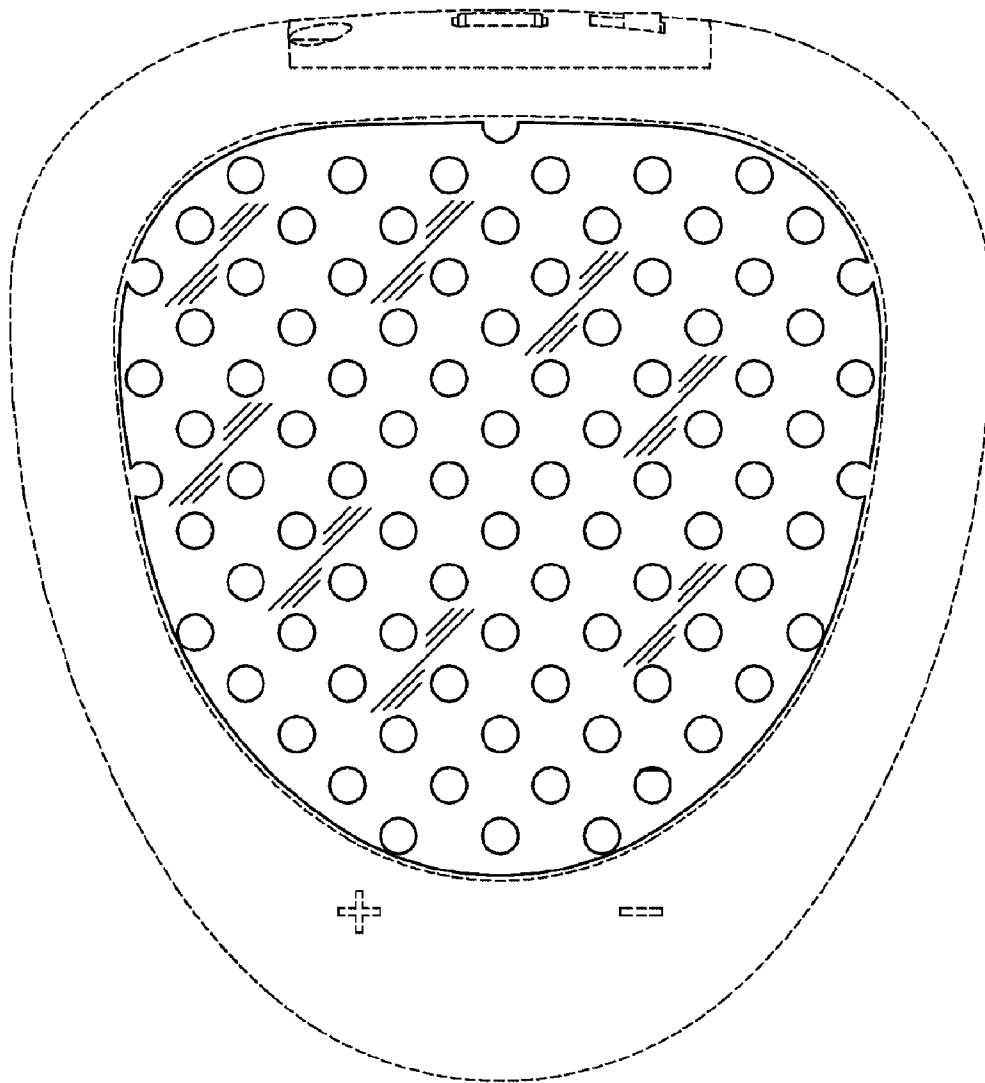


FIG. 2

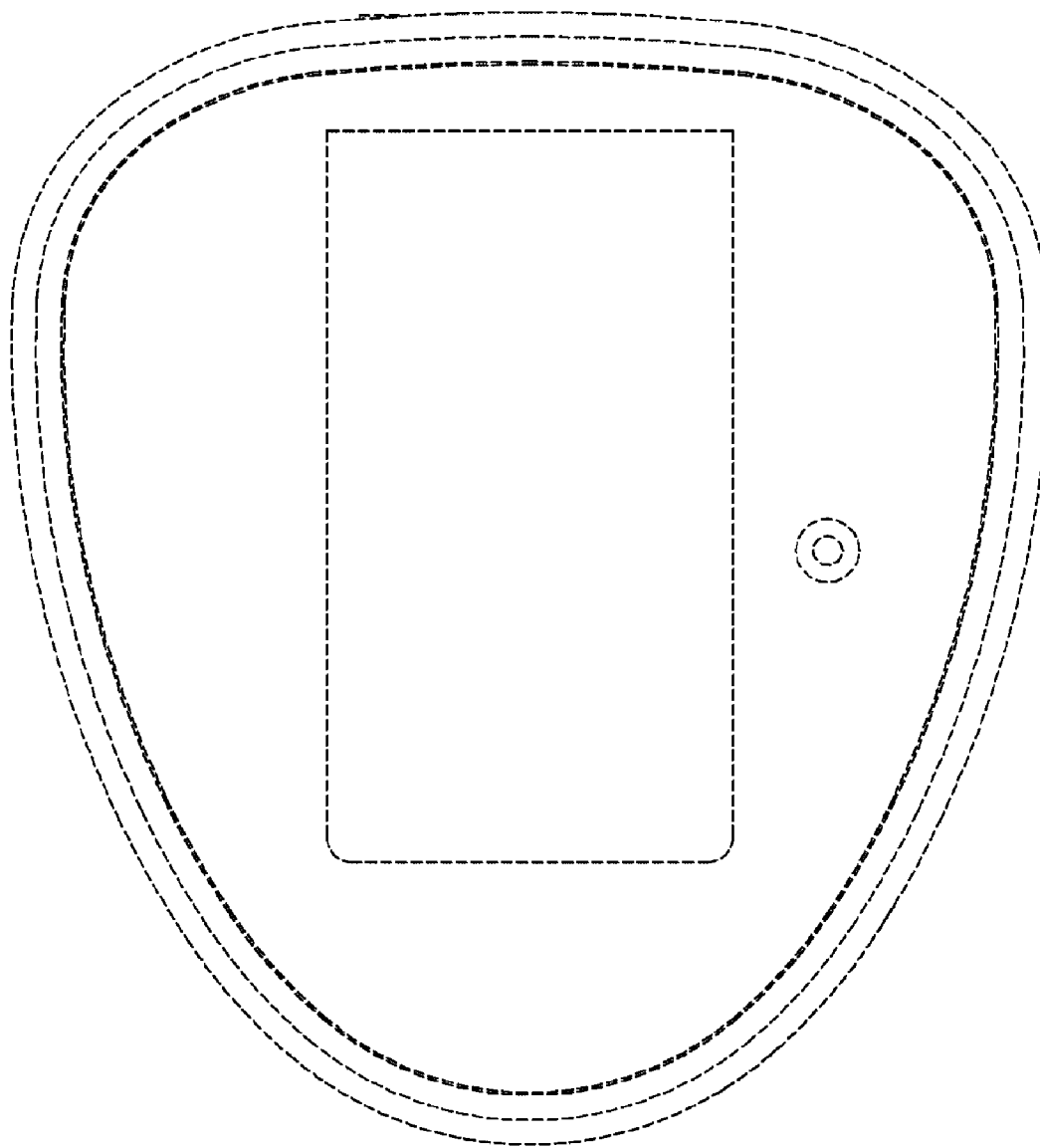


FIG. 3

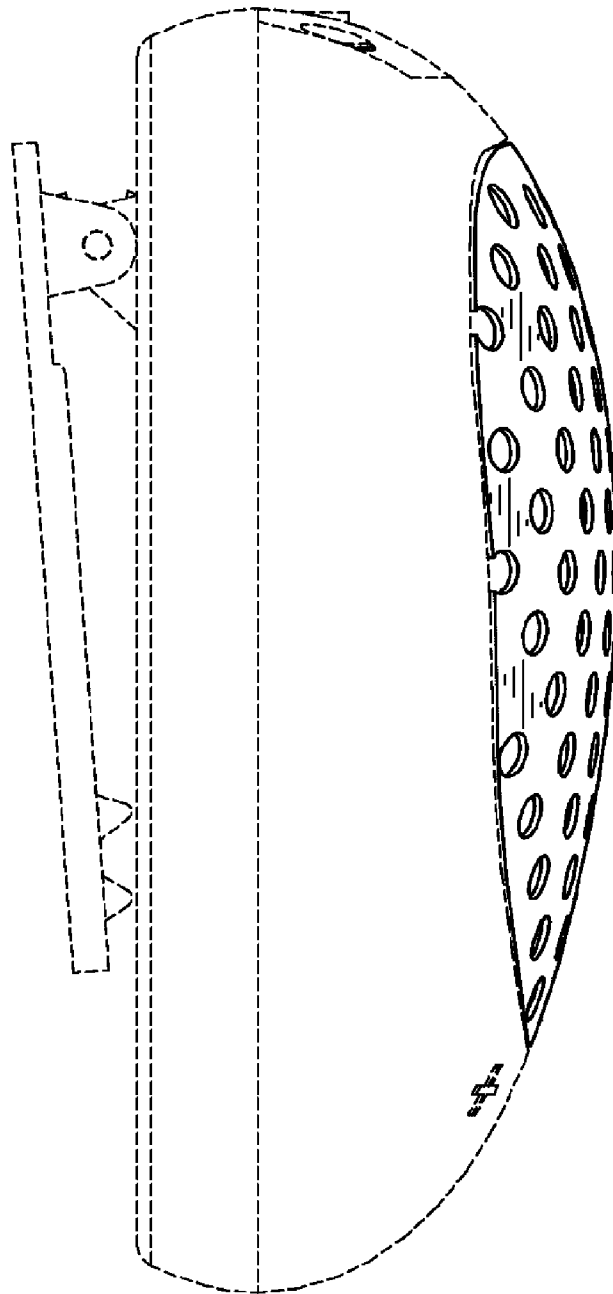


FIG. 4

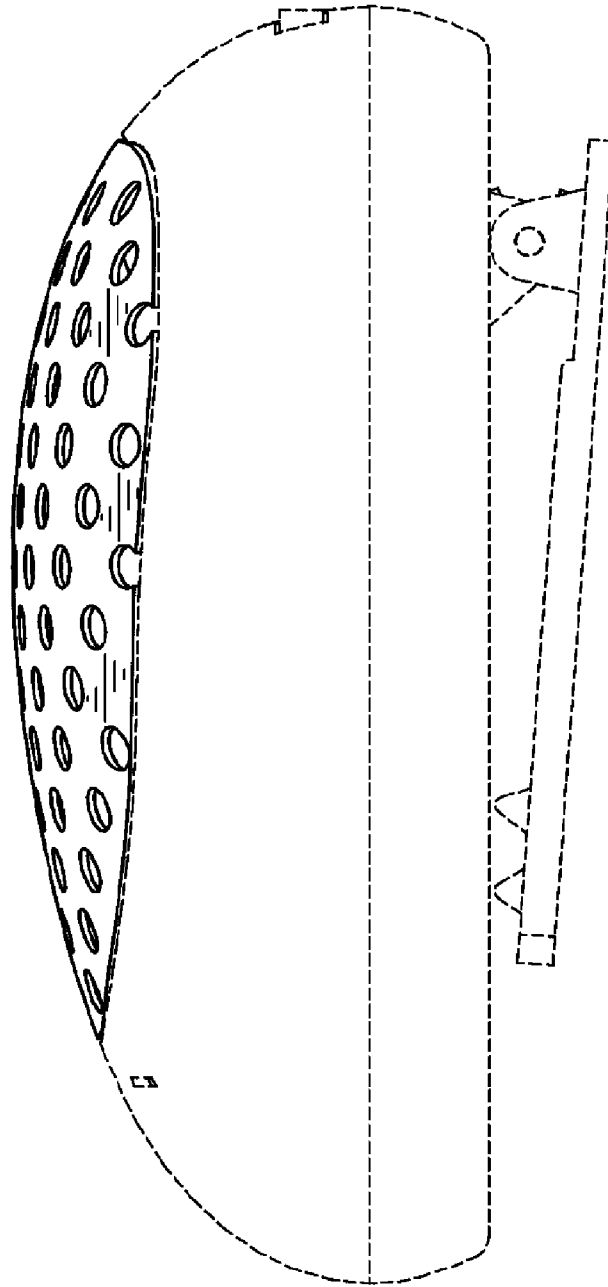


FIG. 5

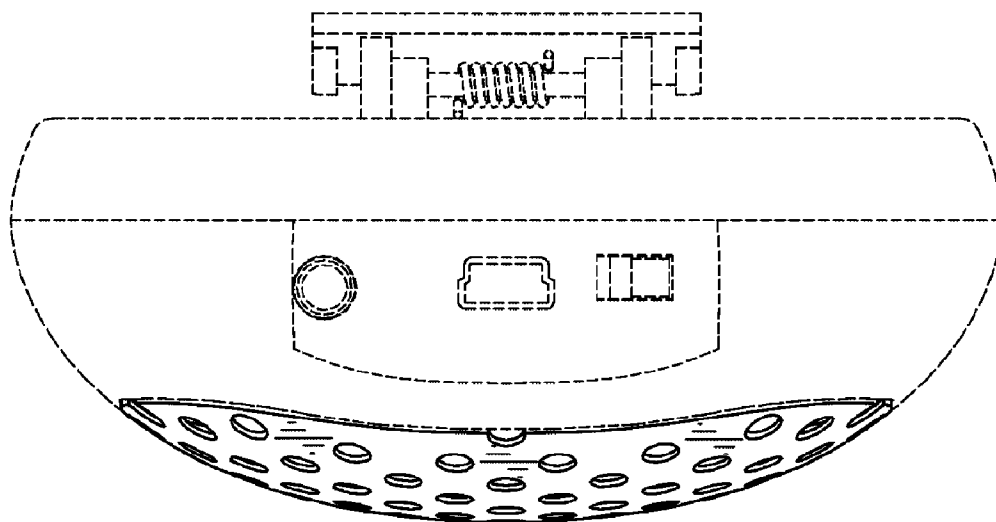


FIG. 6

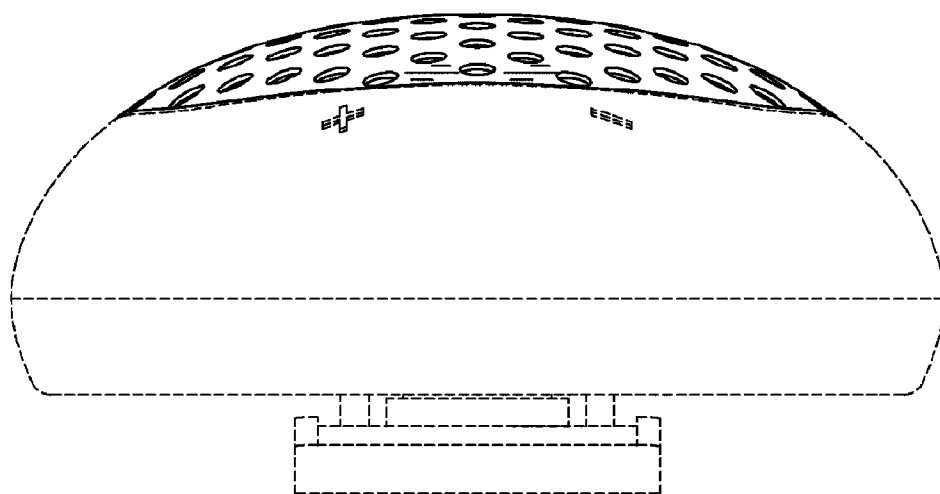


FIG. 7

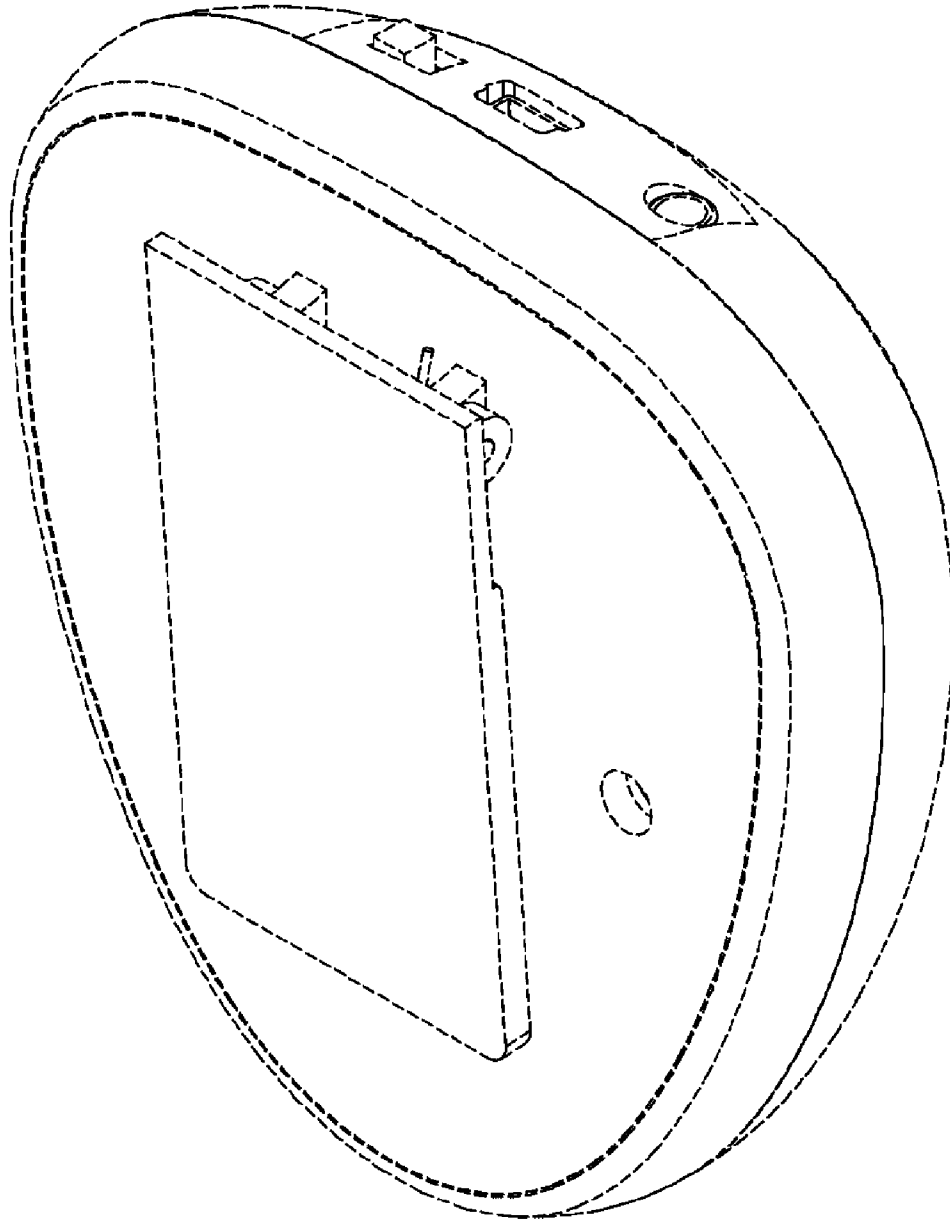


FIG. 8