



US00D614905S

(12) **United States Design Patent**
Fiorotto

(10) **Patent No.:** **US D614,905 S**

(45) **Date of Patent:** **** May 4, 2010**

(54) **ELECTRIC OVEN**

(75) Inventor: **Francesco Fiorotto**, Roncade (IT)

(73) Assignee: **De'Longhi Appliances S.R.L. Con Unico Socio**, Treviso (IT)

(**) Term: **14 Years**

(21) Appl. No.: **29/340,870**

(22) Filed: **Jul. 27, 2009**

(30) **Foreign Application Priority Data**

Jan. 30, 2009 (EM) 001079073-001

(51) **LOC (9) Cl.** **07-02**

(52) **U.S. Cl.** **D7/350.1**

(58) **Field of Classification Search** D7/351,
D7/350.1, 350.3, 350.4, 402, 405, 406; 219/678,
219/756-758; 126/19 M, 275 E

See application file for complete search history.

(56) **References Cited**

U.S. PATENT DOCUMENTS

- D309,078 S * 7/1990 Kokubo D7/351
- D336,814 S * 6/1993 Brookshire D7/350.4
- D380,643 S * 7/1997 Piret D7/350.4
- D386,938 S * 12/1997 Piret D7/350.4
- D412,637 S * 8/1999 Piret D7/350.4
- D420,245 S * 2/2000 De'Longhi D7/350.4
- D444,992 S * 7/2001 Brady et al. D7/350.4

- D446,418 S * 8/2001 Cruz D7/350.4
- D447,905 S * 9/2001 Smith-Berry et al. D7/350.4
- D451,752 S * 12/2001 Davis et al. D7/350.4
- D453,090 S * 1/2002 Chen D7/350.4
- D461,091 S * 8/2002 Chen D7/350.4
- D476,846 S * 7/2003 Piret D7/351
- D479,943 S * 9/2003 Smith-Berry et al. D7/350.4
- D533,390 S * 12/2006 Ball D7/350.1
- D575,978 S * 9/2008 Borin D7/350.1
- D575,979 S * 9/2008 Borin D7/350.1
- D585,235 S * 1/2009 Tetreault et al. D7/350.1

* cited by examiner

Primary Examiner—Ruth McInroy

(74) *Attorney, Agent, or Firm*—Flaster/Greenberg P.C.

(57) **CLAIM**

I claim the ornamental design for an electric oven, as shown and described.

DESCRIPTION

FIG. 1 is a perspective view of the electric oven;

FIG. 2 is a front view of the electric oven;

FIG. 3 is the left side view of the electric oven;

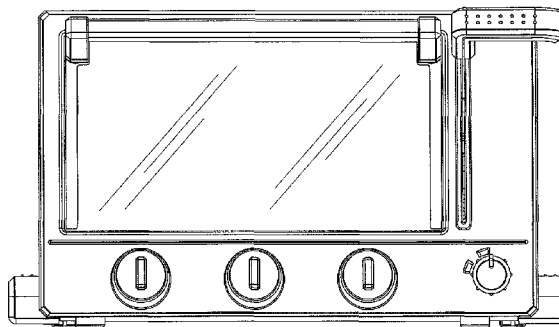
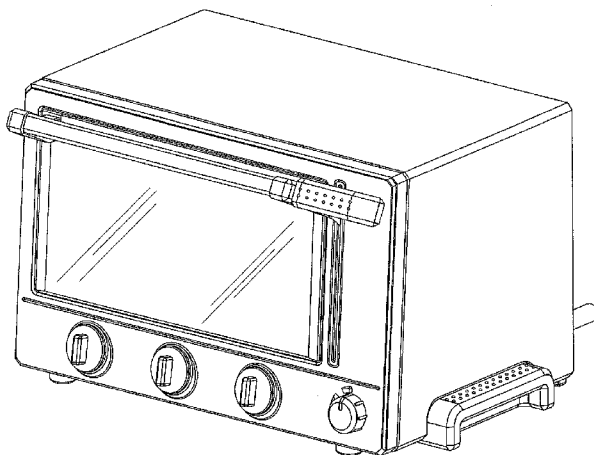
FIG. 4 is a right side view of the electric oven;

FIG. 5 is a rear side view of the electric oven;

FIG. 6 is a top view of the electric oven; and,

FIG. 7 is a bottom view of the electric oven.

1 Claim, 7 Drawing Sheets



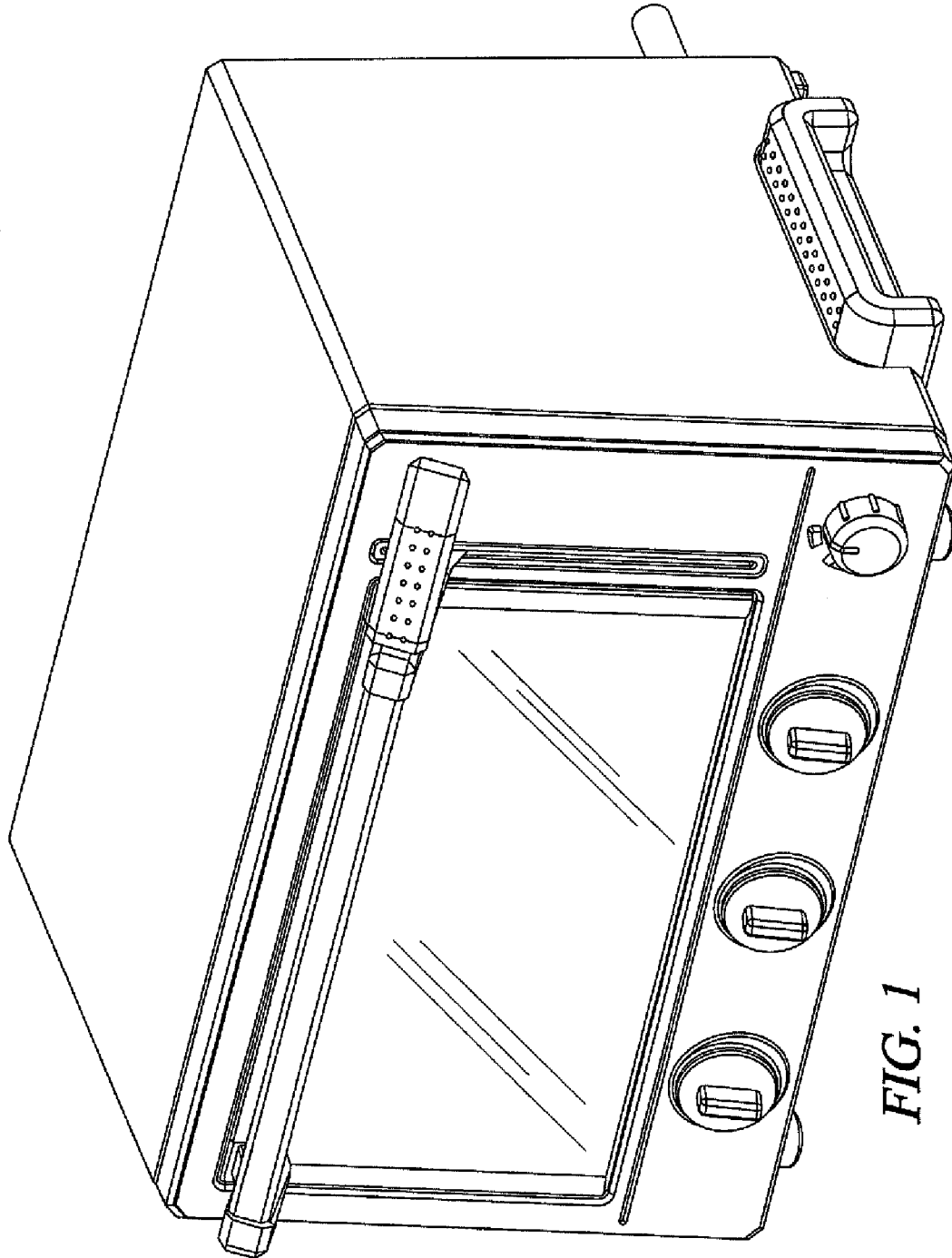


FIG. 1

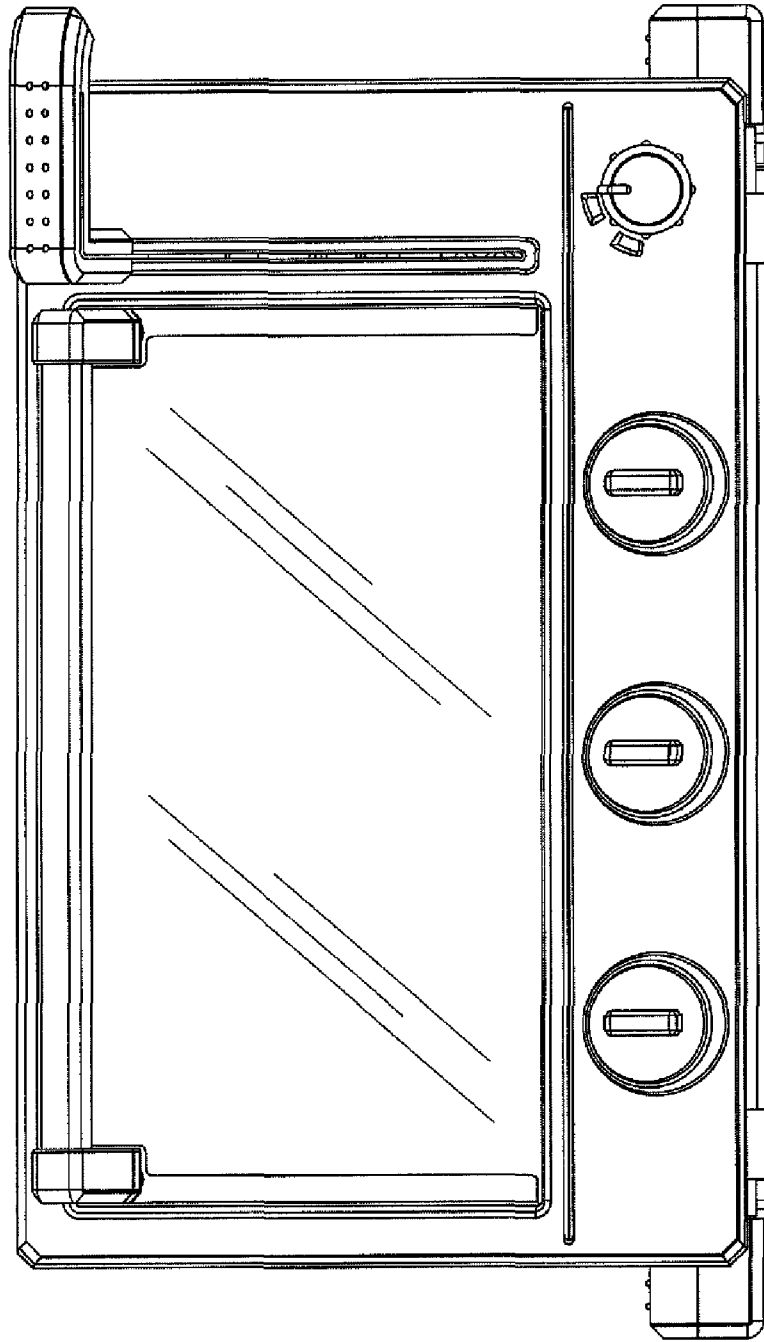


FIG. 2

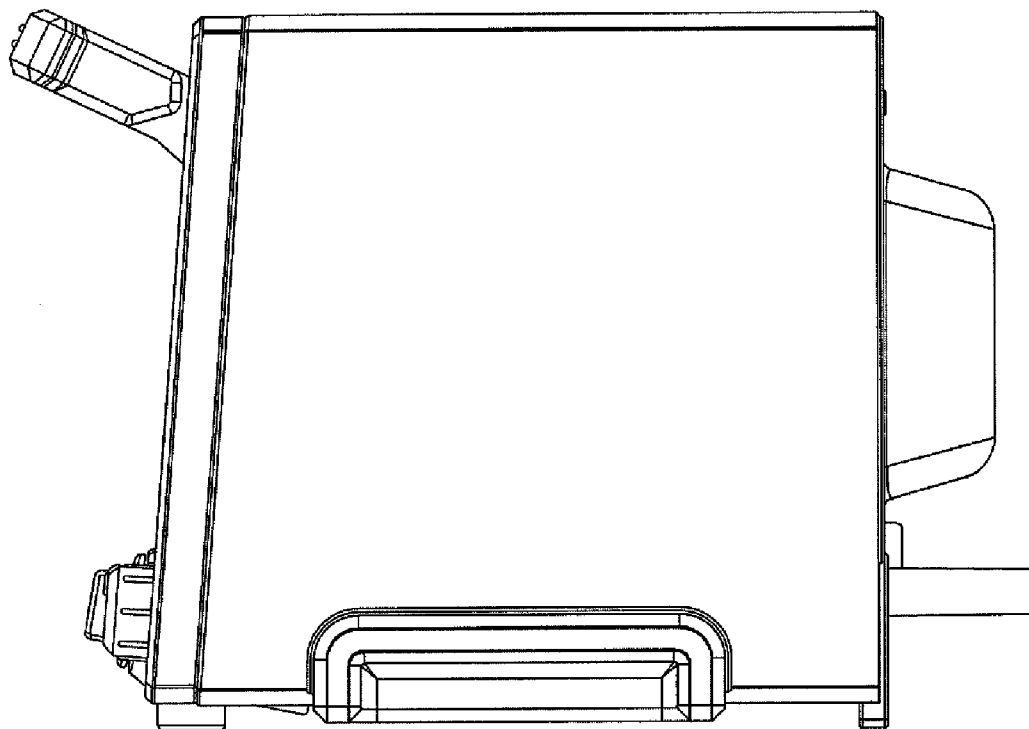


FIG. 3

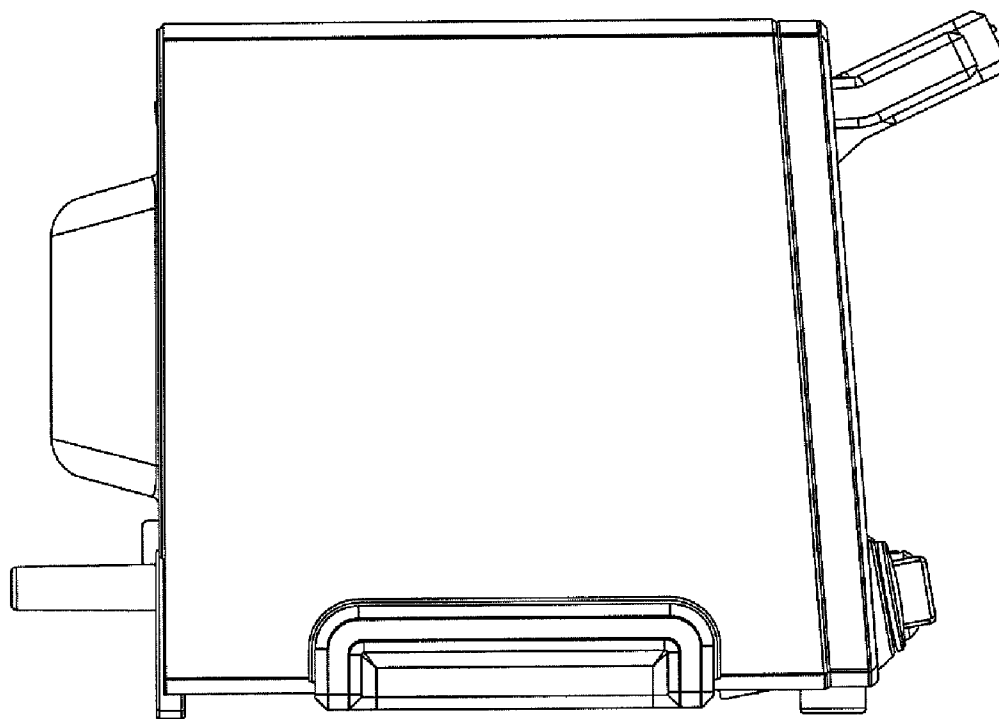


FIG. 4

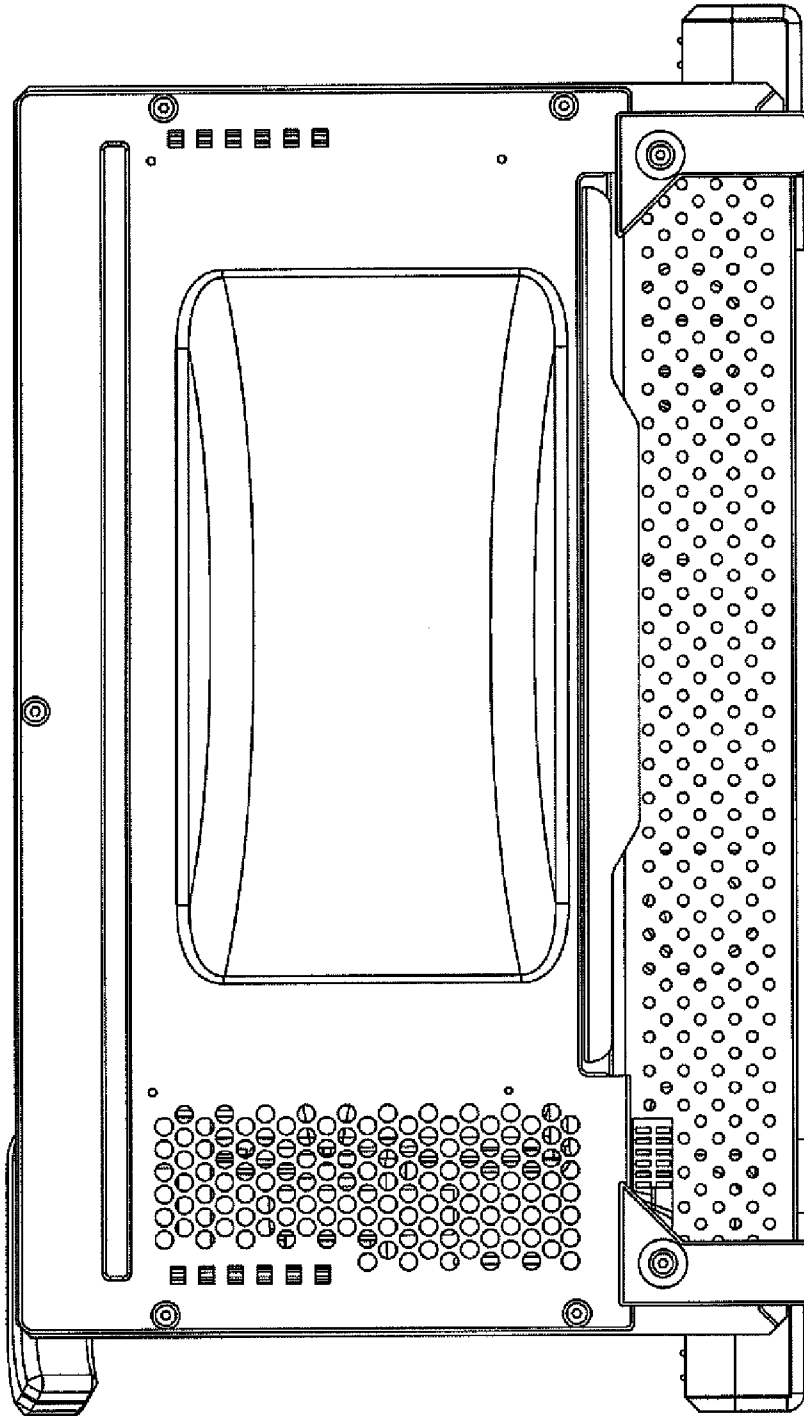


FIG. 5

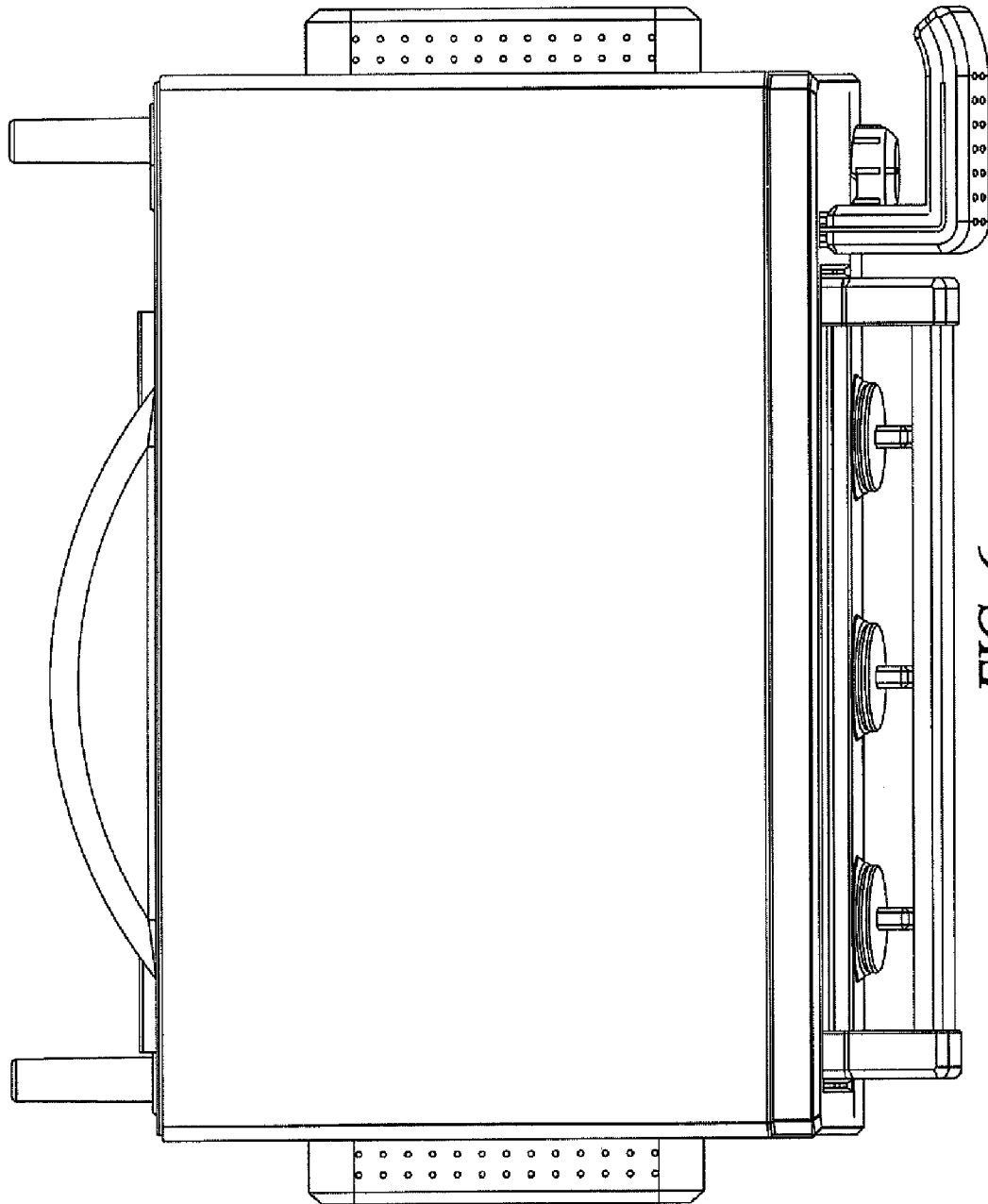


FIG. 6

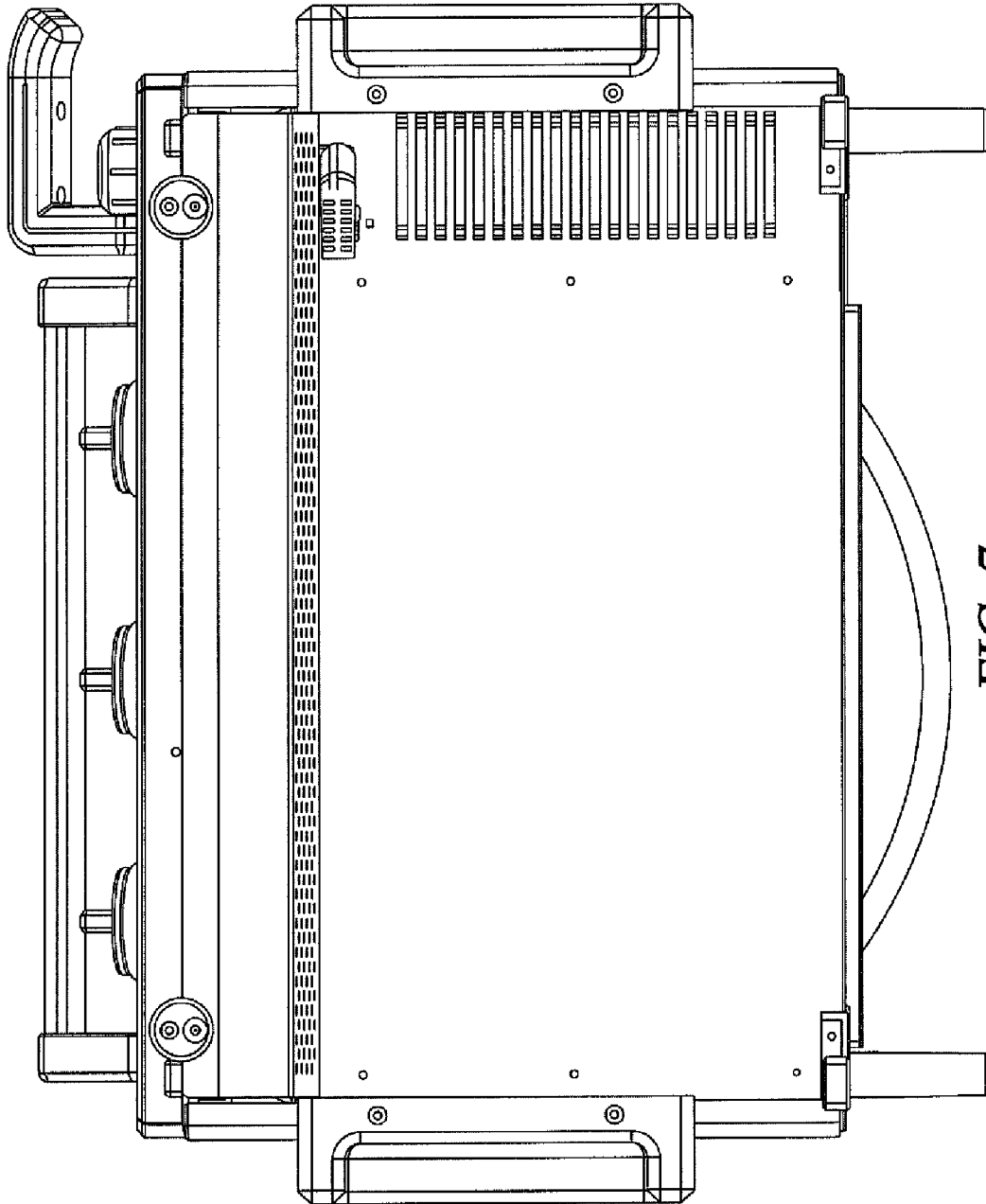


FIG. 7