

(12) INTERNATIONAL APPLICATION PUBLISHED UNDER THE PATENT COOPERATION TREATY (PCT)

(19) World Intellectual Property Organization  
International Bureau



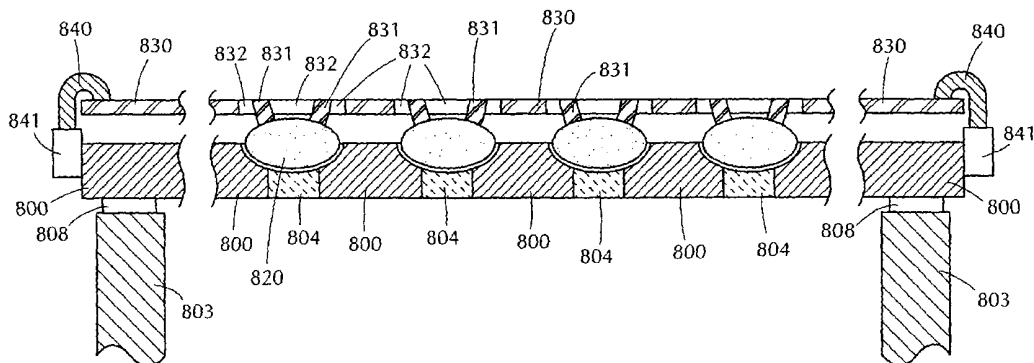
(43) International Publication Date  
19 July 2001 (19.07.2001)

PCT

(10) International Publication Number  
WO 01/50877 A3

- (51) International Patent Classification<sup>7</sup>: A23G 3/20, B41F 17/30, 17/36
- (21) International Application Number: PCT/US01/00384
- (22) International Filing Date: 5 January 2001 (05.01.2001)
- (25) Filing Language: English
- (26) Publication Language: English
- (30) Priority Data:  
09/479,549 7 January 2000 (07.01.2000) US
- (71) Applicants: MARS, INC. [US/US]; 6885 Elm Street, McLean, VA 22101-3883 (US). ACKLEY MACHINE CORP. [US/US]; 1273 North Church Street, Moorestown, NJ 08057 (US).
- (72) Inventors: ACKLEY, E., Michael, Jr.; Ackley Machine Corp., 1273 North Church Street, Moorestown, NJ 08057 (US). LOUDEN, Samuel, J.; Ackley Machine Corp., 1273 North Church Street, Moorestown, NJ 08057 (US). SUTTLE, James, M.; 55 Manor Drive, East Stroudsburg, PA 18301 (US). WEBSTER, Michael, E.; 11 Heller Hill Road, Blairstown, NJ 07825 (US). WILLCOCKS, Neil, A.; 7 Cathy Lane, Flanders, NJ 07836 (US). WOZNIAK, Michael, S.; 212 Hurley Drive, Hackettstown, NJ 07840 (US).
- (74) Agents: MANDRA, Raymond, R. et al.; Fitzpatrick, Cella, Harper & Scinto, 30 Rockefeller Plaza, New York, NY 10112-3801 (US).
- (81) Designated States (*national*): AE, AG, AL, AM, AT, AU, AZ, BA, BB, BG, BR, BY, BZ, CA, CH, CN, CR, CU, CZ, DE, DK, DM, DZ, EE, ES, FI, GB, GD, GE, GH, GM, HR, HU, ID, IL, IN, IS, JP, KE, KG, KP, KR, KZ, LC, LK, LR, LS, LT, LU, LV, MA, MD, MG, MK, MN, MW, MX, MZ, NO, NZ, PL, PT, RO, RU, SD, SE, SG, SI, SK, SL, TJ, TM, TR, TT, TZ, UA, UG, UZ, VN, YU, ZA, ZW.
- (84) Designated States (*regional*): ARIPO patent (GH, GM, KE, LS, MW, MZ, SD, SL, SZ, TZ, UG, ZW), Eurasian patent (AM, AZ, BY, KG, KZ, MD, RU, TJ, TM), European patent (AT, BE, CH, CY, DE, DK, ES, FI, FR, GB, GR, IE, IT, LU, MC, NL, PT, SE, TR), OAPI patent (BF, BJ, CF, CG, CI, CM, GA, GN, GW, ML, MR, NE, SN, TD, TG).
- Published:  
— with international search report
- (88) Date of publication of the international search report:  
7 February 2002
- For two-letter codes and other abbreviations, refer to the "Guidance Notes on Codes and Abbreviations" appearing at the beginning of each regular issue of the PCT Gazette.

(54) Title: METHOD AND APPARATUS TO PRINT MULTICOLOR IMAGES ON EDIBLE PIECES



(57) Abstract: Multicolor image, formed from at least two component images, are printed on non-planar surfaces of edible pieces by maintaining registration of the pieces from one printing station to another. The registration is maintained by firmly securing the pieces to the transporting surface by applying a pressure differential, by a combination of a pressure differential with a resilient surface, or by trapping the pieces between a retaining member and a recess portion.

WO 01/50877 A3

# INTERNATIONAL SEARCH REPORT

International Application No

PCT/US 01/00384

**A. CLASSIFICATION OF SUBJECT MATTER**  
 IPC 7 A23G3/20 B41F17/30 B41F17/36

According to International Patent Classification (IPC) or to both national classification and IPC

**B. FIELDS SEARCHED**

Minimum documentation searched (classification system followed by classification symbols)

IPC 7 B41F A23G B41J

Documentation searched other than minimum documentation to the extent that such documents are included in the fields searched

Electronic data base consulted during the international search (name of data base and, where practical, search terms used)

WPI Data, PAJ, EPO-Internal

**C. DOCUMENTS CONSIDERED TO BE RELEVANT**

| Category ° | Citation of document, with indication, where appropriate, of the relevant passages | Relevant to claim No.              |
|------------|------------------------------------------------------------------------------------|------------------------------------|
| X          | WO 91 01884 A (UPJOHN CO)<br>21 February 1991 (1991-02-21)                         | 1-12,<br>23-29,<br>33-35,<br>38,45 |
| Y          | page 6, line 31 -page 11, line 25; figures                                         | 5-8,<br>13-22,46                   |
| Y          | ---                                                                                |                                    |
| Y          | US 1 334 822 A (HAROLD VARBLE)<br>23 March 1920 (1920-03-23)<br>the whole document | 5-8,<br>13-22                      |
| Y          | ---                                                                                |                                    |
| Y          | US 4 843 958 A (EGOSI ISAAC)<br>4 July 1989 (1989-07-04)<br>the whole document     | 46                                 |
|            | ---                                                                                |                                    |
|            | -/--                                                                               |                                    |

Further documents are listed in the continuation of box C.

Patent family members are listed in annex.

° Special categories of cited documents :

- "A" document defining the general state of the art which is not considered to be of particular relevance
- "E" earlier document but published on or after the international filing date
- "L" document which may throw doubts on priority claim(s) or which is cited to establish the publication date of another citation or other special reason (as specified)
- "O" document referring to an oral disclosure, use, exhibition or other means
- "P" document published prior to the international filing date but later than the priority date claimed

- "T" later document published after the international filing date or priority date and not in conflict with the application but cited to understand the principle or theory underlying the invention
- "X" document of particular relevance; the claimed invention cannot be considered novel or cannot be considered to involve an inventive step when the document is taken alone
- "Y" document of particular relevance; the claimed invention cannot be considered to involve an inventive step when the document is combined with one or more other such documents, such combination being obvious to a person skilled in the art.
- "&" document member of the same patent family

Date of the actual completion of the international search

26 April 2001

Date of mailing of the international search report

07. 09. 2001

Name and mailing address of the ISA

European Patent Office, P.B. 5818 Patentlaan 2  
 NL - 2280 HV Rijswijk  
 Tel. (+31-70) 340-2040, Tx. 31 651 epo nl,  
 Fax: (+31-70) 340-3016

Authorized officer

MEULEMANS, J

# INTERNATIONAL SEARCH REPORT

International Application No

PCT/US 01/00384

C.(Continuation) DOCUMENTS CONSIDERED TO BE RELEVANT

| Category * | Citation of document, with indication, where appropriate, of the relevant passages                                                                                        | Relevant to claim No.        |
|------------|---------------------------------------------------------------------------------------------------------------------------------------------------------------------------|------------------------------|
| P,X        | WO 00 74938 A (ACKLEY MACHINE CORP)<br>14 December 2000 (2000-12-14)<br>the whole document<br>---                                                                         | 5-8                          |
| X          | DE 38 36 142 A (TUSKY MARIA)<br>26 April 1990 (1990-04-26)<br>the whole document<br>---                                                                                   | 5,13,17                      |
| X          | US 4 578 273 A (KRUBERT GEORGE J)<br>25 March 1986 (1986-03-25)<br>cited in the application<br>the whole document<br>---                                                  | 23-26                        |
| A          | EP 0 596 328 A (NIPPON ELANCO)<br>11 May 1994 (1994-05-11)<br>the whole document<br>---                                                                                   | 1-46                         |
| A          | WO 97 16075 A (CORRIVEAU CHRISTINE L<br>;KONSKI S KRISTINE O (US); MORMANN JEFFERY<br>C) 9 May 1997 (1997-05-09)<br>cited in the application<br>the whole document<br>--- | 1,5,9,<br>13,17,<br>23,27,33 |
| A          | EP 0 442 782 A (OEUROMER S A)<br>21 August 1991 (1991-08-21)<br>the whole document<br>---                                                                                 | 5,13,17,<br>23               |
| A          | EP 0 919 377 A (ACKLEY MACHINE CORP)<br>2 June 1999 (1999-06-02)<br>the whole document<br>-----                                                                           | 1-46                         |

# INTERNATIONAL SEARCH REPORT

International application No.  
PCT/US 01/00384

## Box I Observations where certain claims were found unsearchable (Continuation of item 1 of first sheet)

This International Search Report has not been established in respect of certain claims under Article 17(2)(a) for the following reasons:

1.  Claims Nos.:  
because they relate to subject matter not required to be searched by this Authority, namely:
  
2.  Claims Nos.:  
because they relate to parts of the International Application that do not comply with the prescribed requirements to such an extent that no meaningful International Search can be carried out, specifically:
  
3.  Claims Nos.:  
because they are dependent claims and are not drafted in accordance with the second and third sentences of Rule 6.4(a).

## Box II Observations where unity of invention is lacking (Continuation of item 2 of first sheet)

This International Searching Authority found multiple inventions in this international application, as follows:

see additional sheet

1.  As all required additional search fees were timely paid by the applicant, this International Search Report covers all searchable claims.
2.  As all searchable claims could be searched without effort justifying an additional fee, this Authority did not invite payment of any additional fee.
3.  As only some of the required additional search fees were timely paid by the applicant, this International Search Report covers only those claims for which fees were paid, specifically claims Nos.:
4.  No required additional search fees were timely paid by the applicant. Consequently, this International Search Report is restricted to the invention first mentioned in the claims; it is covered by claims Nos.:

1-46

Remark on Protest

- The additional search fees were accompanied by the applicant's protest.
- No protest accompanied the payment of additional search fees.

**FURTHER INFORMATION CONTINUED FROM PCT/ISA/ 210**

This International Searching Authority found multiple (groups of) inventions in this international application, as follows:

1. Claims: 1-46

Method and apparatus for printing edible pieces

2. Claims: 47-58

Vacuum carrier bar

# INTERNATIONAL SEARCH REPORT

Information on patent family members

International Application No

PCT/US 01/00384

| Patent document cited in search report | Publication date | Patent family member(s)                                                                                                            | Publication date                                                                               |
|----------------------------------------|------------------|------------------------------------------------------------------------------------------------------------------------------------|------------------------------------------------------------------------------------------------|
| WO 9101884    A                        | 21-02-1991       | AU    6079190 A<br>CA    2057047 A                                                                                                 | 11-03-1991<br>28-01-1991                                                                       |
| -----                                  |                  |                                                                                                                                    |                                                                                                |
| US 1334822    A                        | 23-03-1920       | NONE                                                                                                                               |                                                                                                |
| -----                                  |                  |                                                                                                                                    |                                                                                                |
| US 4843958    A                        | 04-07-1989       | NONE                                                                                                                               |                                                                                                |
| -----                                  |                  |                                                                                                                                    |                                                                                                |
| WO 0074938    A                        | 14-12-2000       | AU    6119400 A                                                                                                                    | 28-12-2000                                                                                     |
| -----                                  |                  |                                                                                                                                    |                                                                                                |
| DE 3836142    A                        | 26-04-1990       | NONE                                                                                                                               |                                                                                                |
| -----                                  |                  |                                                                                                                                    |                                                                                                |
| US 4578273    A                        | 25-03-1986       | CA    1187322 A                                                                                                                    | 21-05-1985                                                                                     |
| -----                                  |                  |                                                                                                                                    |                                                                                                |
| EP 0596328    A                        | 11-05-1994       | JP    3123626 B<br>JP    6143539 A<br>DE    69324882 D<br>DE    69324882 T<br>ES    2132159 T<br>US    5423252 A                   | 15-01-2001<br>24-05-1994<br>17-06-1999<br>02-12-1999<br>16-08-1999<br>13-06-1995               |
| -----                                  |                  |                                                                                                                                    |                                                                                                |
| WO 9716075    A                        | 09-05-1997       | AU    7601196 A<br>US    6136350 A                                                                                                 | 22-05-1997<br>24-10-2000                                                                       |
| -----                                  |                  |                                                                                                                                    |                                                                                                |
| EP 0442782    A                        | 21-08-1991       | FR    2658449 A<br>AT    123699 T<br>CA    2036101 A<br>DE    69110313 D<br>DE    69110313 T<br>JP    4216052 A<br>US    5142976 A | 23-08-1991<br>15-06-1995<br>17-08-1991<br>20-07-1995<br>09-11-1995<br>06-08-1992<br>01-09-1992 |
| -----                                  |                  |                                                                                                                                    |                                                                                                |
| EP 0919377    A                        | 02-06-1999       | US    5878658 A                                                                                                                    | 09-03-1999                                                                                     |
| -----                                  |                  |                                                                                                                                    |                                                                                                |