



US00D555972S

(12) **United States Design Patent**
Rae

(10) **Patent No.:** **US D555,972 S**

(45) **Date of Patent:** **** Nov. 27, 2007**

(54) **HANDLE WITH GRIP SURFACE FOR COOKWARE**

(75) Inventor: **Robert A. Rae**, Danville, CA (US)

(73) Assignee: **Meyer Intellectual Properties Limited** (VG)

(**) Term: **14 Years**

(21) Appl. No.: **29/254,606**

(22) Filed: **Feb. 23, 2006**

(51) **LOC (8) Cl.** **07-02**

(52) **U.S. Cl.** **D7/395**

(58) **Field of Classification Search** D7/354-357,
D7/359-361, 393, 395; D8/107, 307, 300;
16/430, 431, 110.1, 407; 220/573.1-573.5,
220/752, 753, 755-757, 759

See application file for complete search history.

(56) **References Cited**

U.S. PATENT DOCUMENTS

- D407,600 S * 4/1999 LoGiudice D7/395
- D426,107 S * 6/2000 Cheng D7/393
- D429,950 S * 8/2000 Yu et al. D7/395
- D439,108 S * 3/2001 LoGiudice D7/395

- D444,347 S * 7/2001 LoGiudice D7/395
- D468,583 S * 1/2003 Kerulis D7/395
- D494,412 S * 8/2004 Prakasa D7/395
- D497,771 S * 11/2004 Thomkins D7/395
- D503,585 S * 4/2005 Tetreault et al. D7/395
- D531,852 S * 11/2006 Bham D7/393

* cited by examiner

Primary Examiner—Holly H. Baynham

Assistant Examiner—Cynthia M. Chin

(74) *Attorney, Agent, or Firm*—Edward S. Sherman

(57) **CLAIM**

The ornamental design for a “handle with grip surface for cookware,” as shown and described.

DESCRIPTION

FIG. 1 is a perspective view of the “handle with grip surface for cookware”, showing my new design;

FIG. 2 is a back plan view thereof;

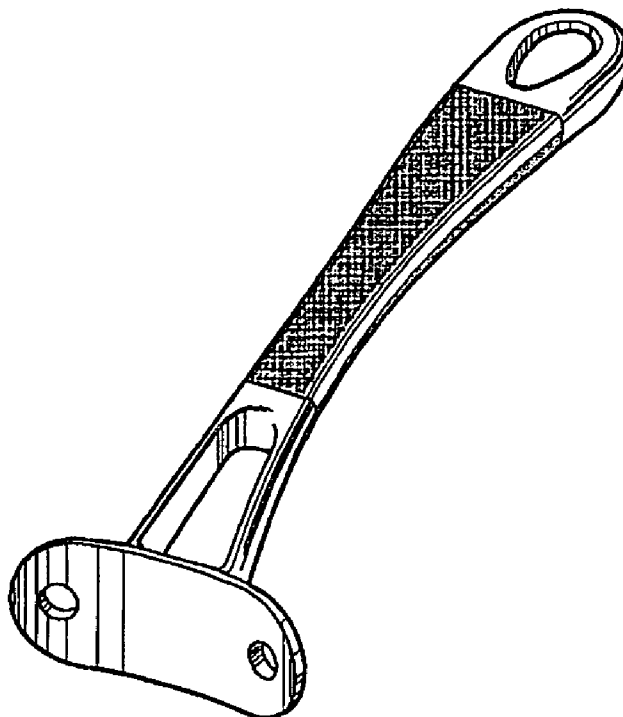
FIG. 3 is a front elevation thereof; and

FIG. 4 is a top plan view thereof

FIG. 5 is a side elevational view thereof; and,

FIG. 6 is a bottom plan view thereof.

1 Claim, 1 Drawing Sheet



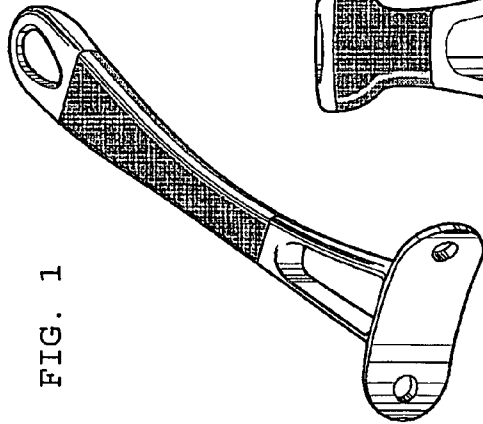


FIG. 1

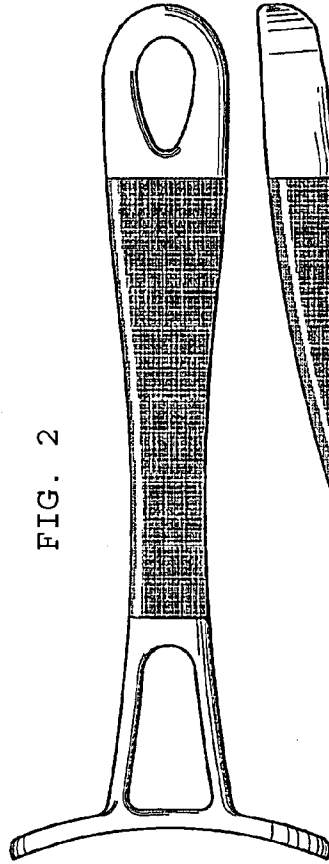


FIG. 2

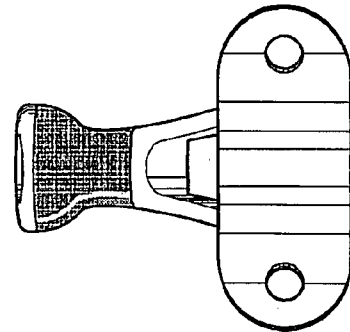


FIG. 3

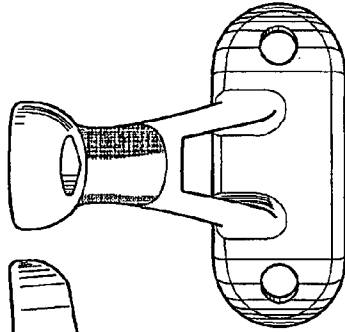


FIG. 4

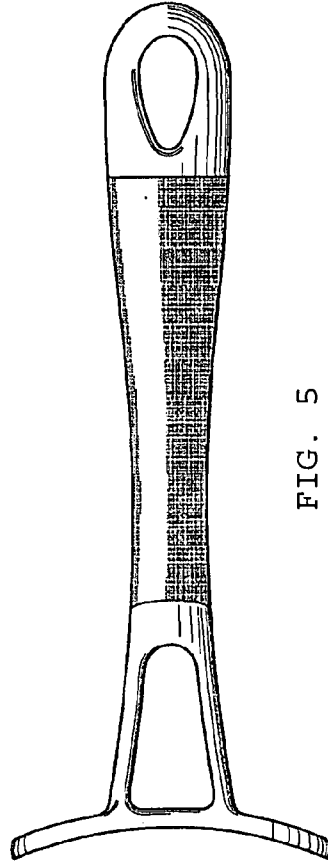


FIG. 5

FIG. 6