



US00D675312S

(12) **United States Design Patent**
Zhu et al.

(10) **Patent No.:** **US D675,312 S**

(45) **Date of Patent:** **** Jan. 29, 2013**

(54) **CLIP WITH BALL JOINT MOUNT**
(76) Inventors: **Wen Ge Zhu**, Shenzhen (CN); **Scot Herbst**, San Jose, CA (US)
(**) Term: **14 Years**

Primary Examiner — Janice Seeger
Assistant Examiner — Martie K Holtje
(74) *Attorney, Agent, or Firm* — Knechtel, Demeur & Samlan

(21) Appl. No.: **29/395,574**
(22) Filed: **Feb. 22, 2012**
(51) **LOC (9) Cl.** **23-04**
(52) **U.S. Cl.** **D23/411; D23/370; D8/395**
(58) **Field of Classification Search** D8/395;
D19/65, 86; D23/332, 335-337, 341, 355,
D23/370, 378, 381, 382, 386, 411, 412; 34/90;
248/75, 231.51, 284.1; 416/110, 206, 240,
416/244 R, 246, 247 R; 454/143; 24/499,
24/507

(57) **CLAIM**
We claim the ornamental design for a clip with ball joint mount, as shown and described.

See application file for complete search history.

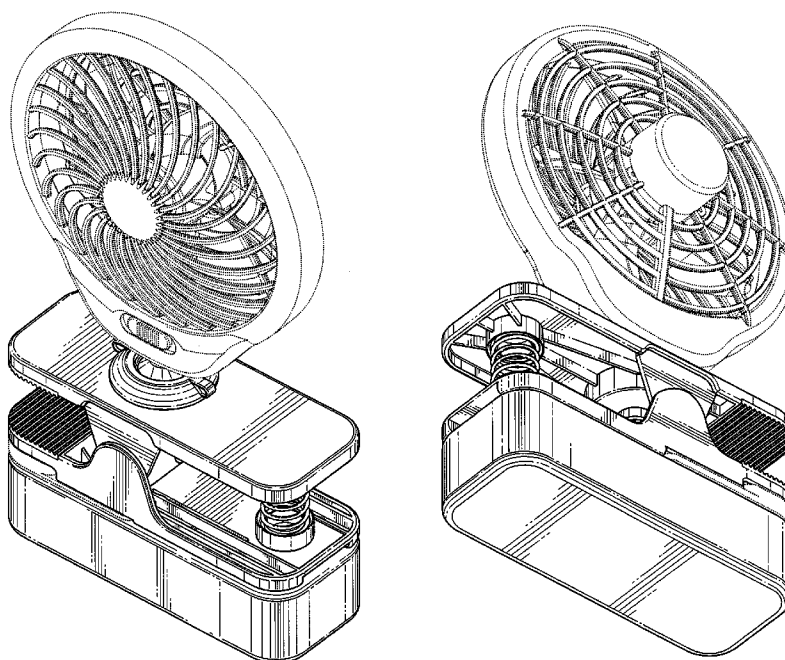
DESCRIPTION

FIG. 1 is a front perspective view of the clip with ball joint mount;
FIG. 2 is a rear perspective view of the clip with ball joint mount;
FIG. 3 is a front elevational view of the clip with ball joint mount;
FIG. 4 is a rear elevational view of the clip with ball joint mount;
FIG. 5 is a side elevational view of the clip with ball joint mount;
FIG. 6 is a side elevational view of the opposed side of the clip with ball joint mount;
FIG. 7 is a top plan view of the clip with ball joint mount; and,
FIG. 8 is a bottom plan view of the clip with ball joint mount. The broken line showing of the fan element and the portion at the left center of the clip with ball joint mount are included for the purpose of illustrating environmental structure and form no part of the claimed design.

(56) **References Cited**
U.S. PATENT DOCUMENTS
2,537,703 A * 1/1951 Randa 248/75
4,175,306 A * 11/1979 Bigelow et al. 24/507
4,799,858 A * 1/1989 Shin-Chin 416/110
4,850,804 A * 7/1989 Huang 416/246
5,547,343 A * 8/1996 Jane et al. 416/246
5,725,356 A * 3/1998 Carter 416/240
D429,327 S * 8/2000 Brewer D23/411
6,842,951 B1 * 1/2005 Barre et al. 24/499
6,886,270 B2 * 5/2005 Gilmer 34/90
6,935,944 B2 * 8/2005 Bigelow, Jr. 454/143
D542,402 S * 5/2007 Abell D23/382
D598,278 S * 8/2009 Herman D8/395

* cited by examiner

1 Claim, 7 Drawing Sheets



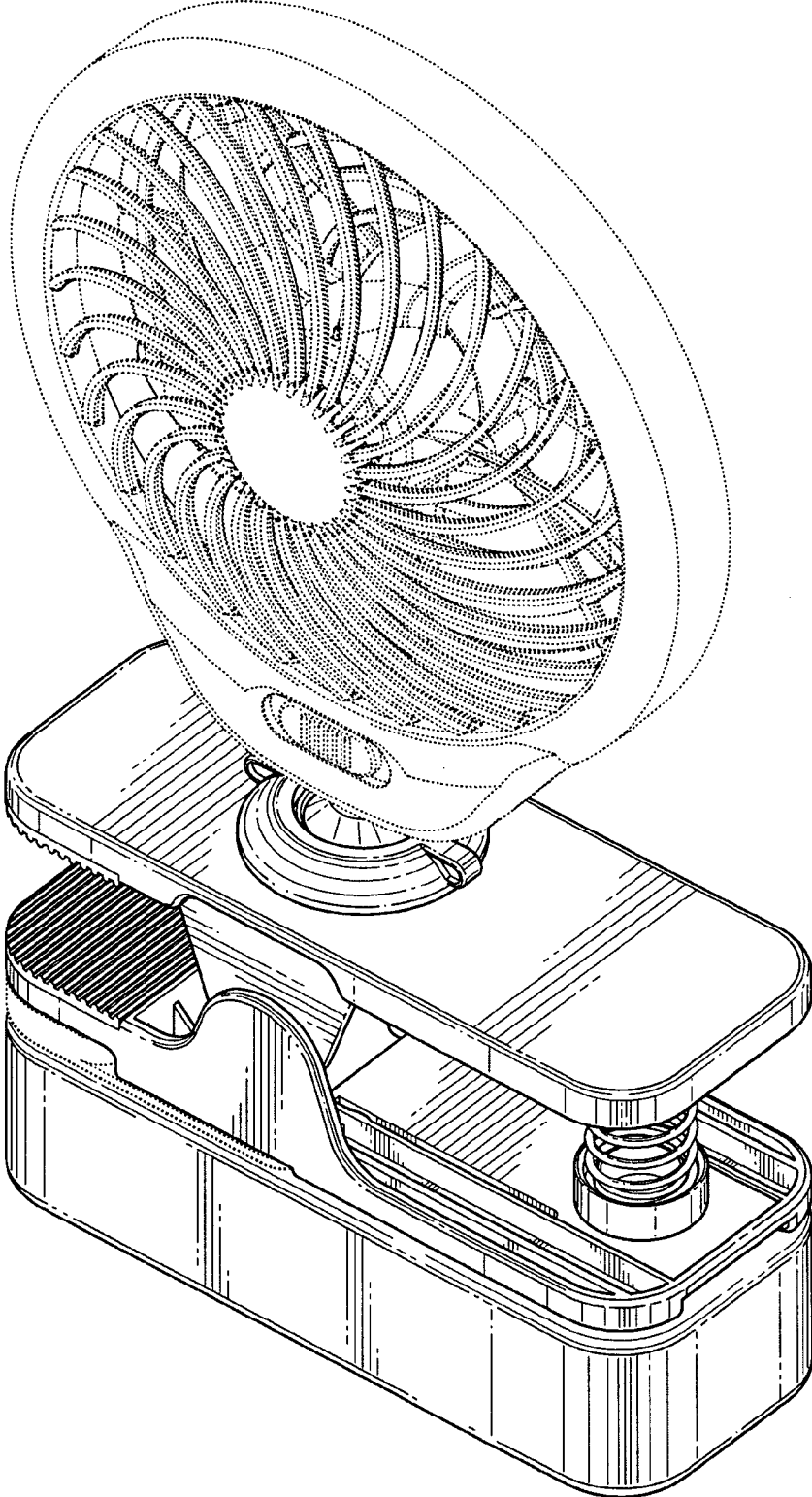


FIG. 1

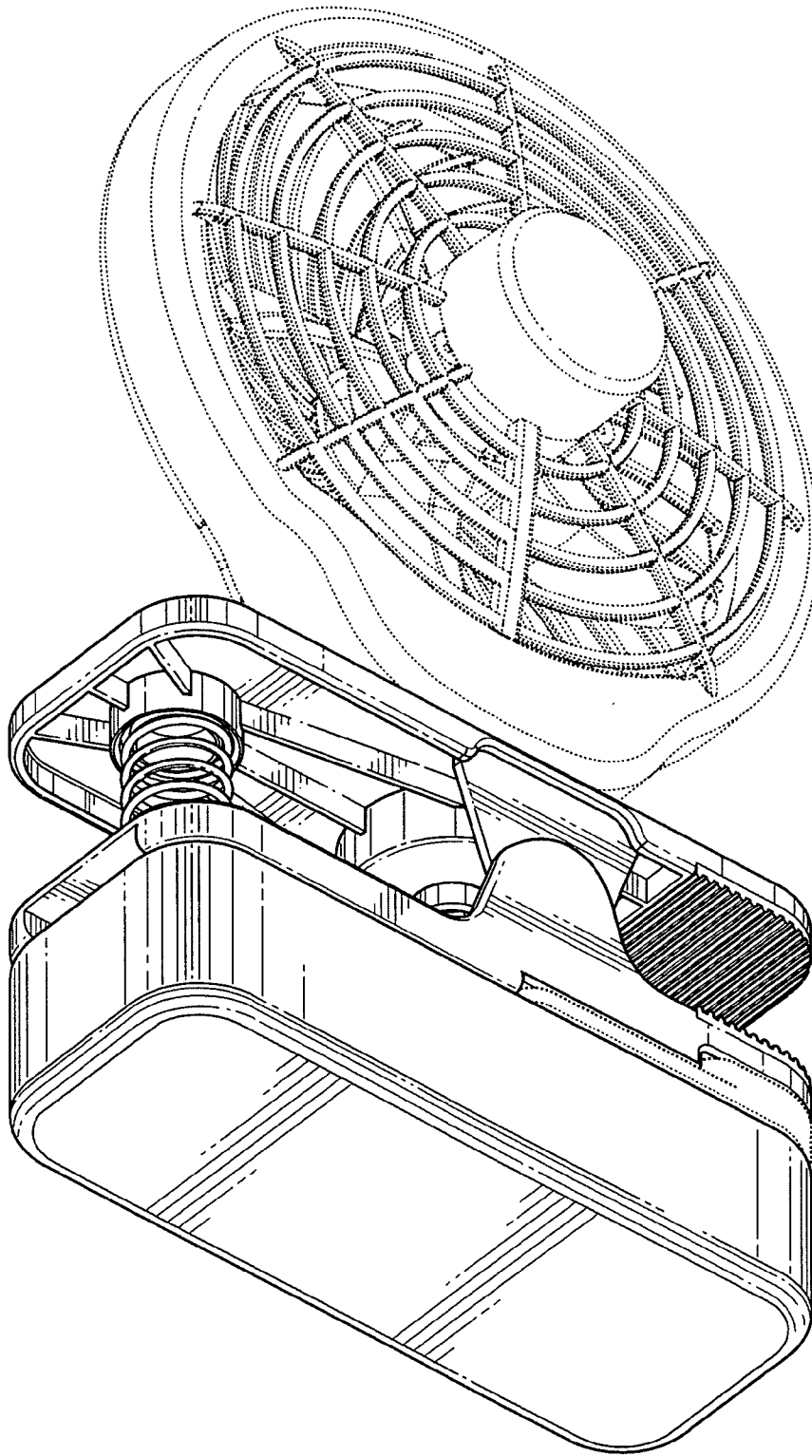


FIG. 2

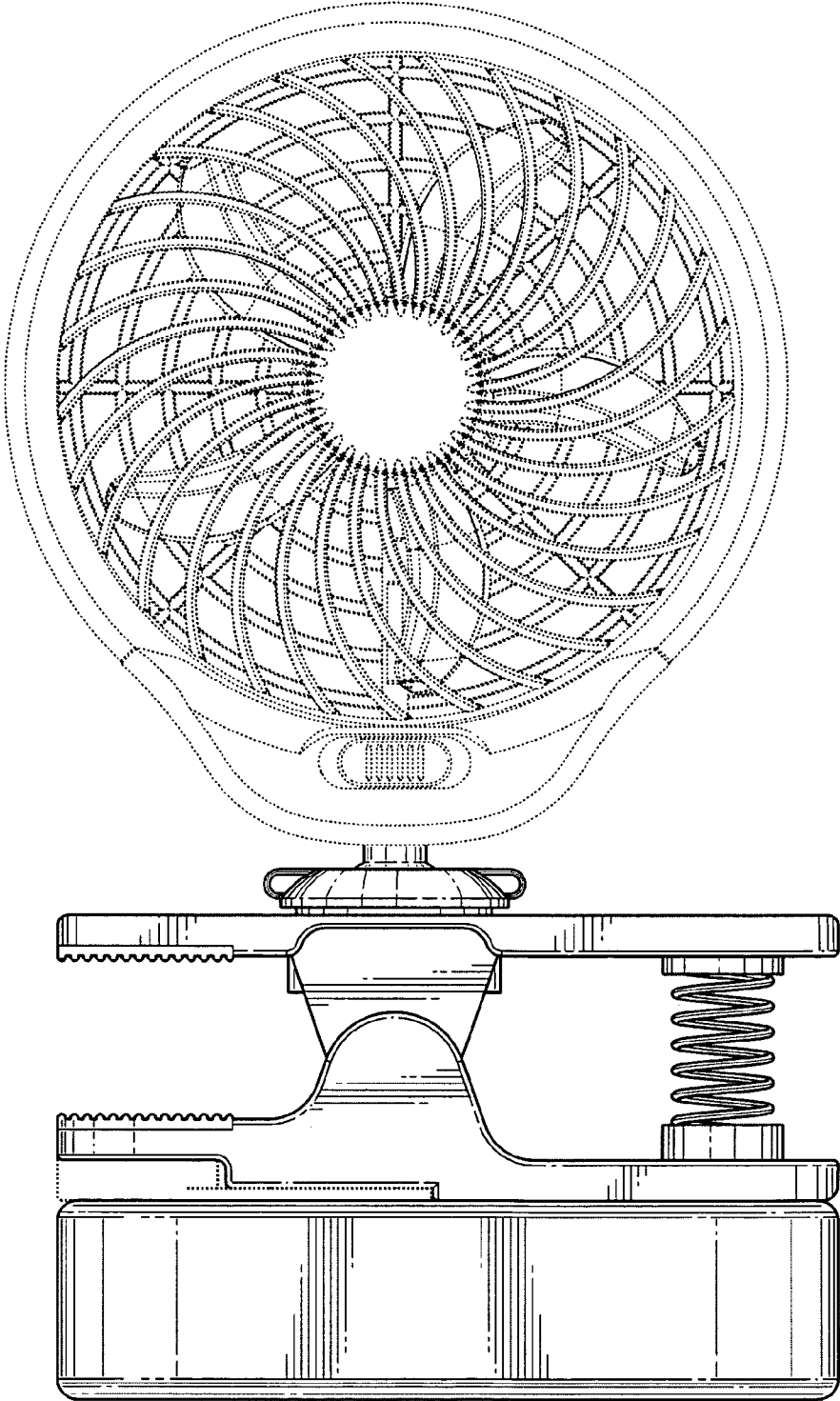


FIG. 3

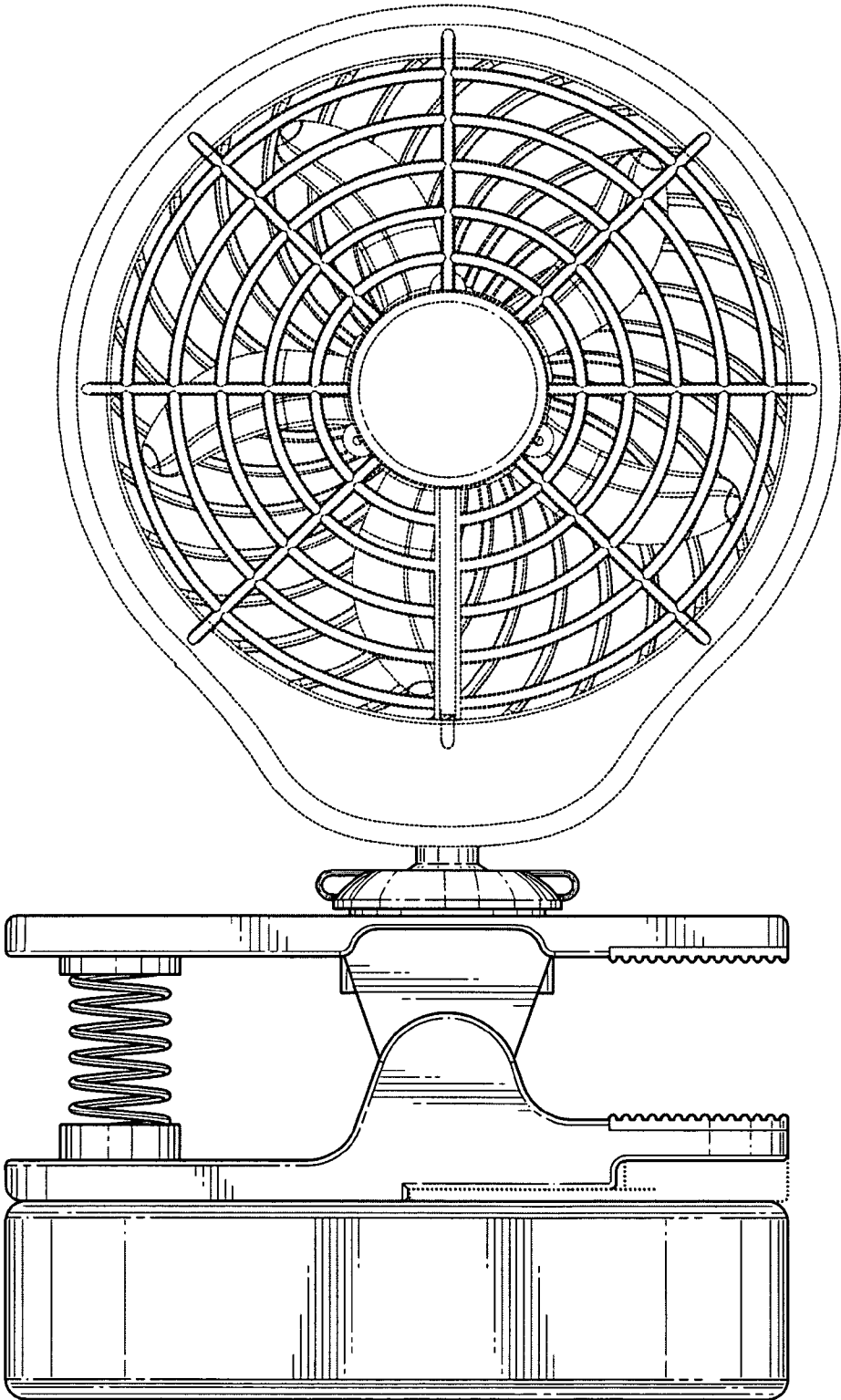


FIG. 4

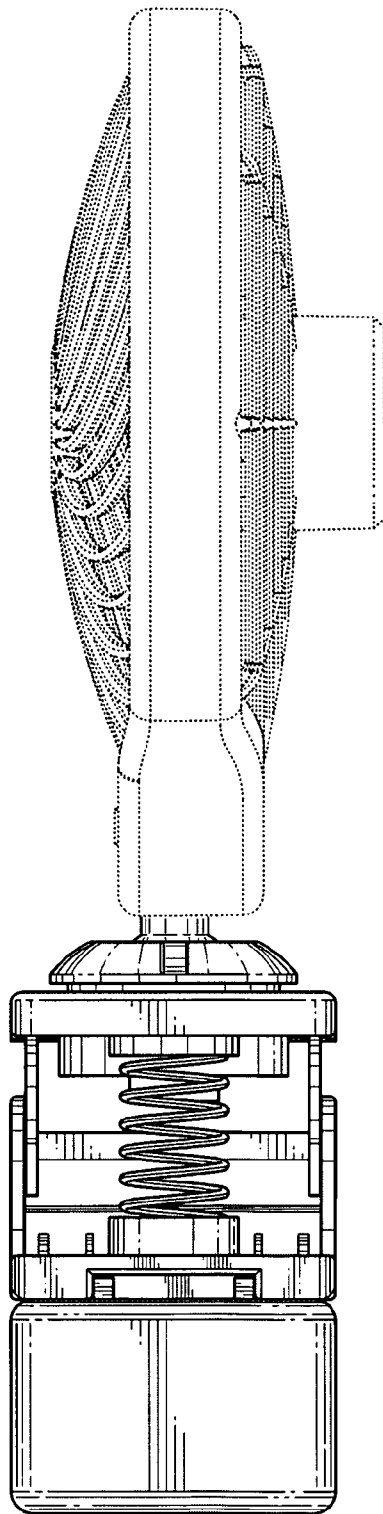


FIG. 5

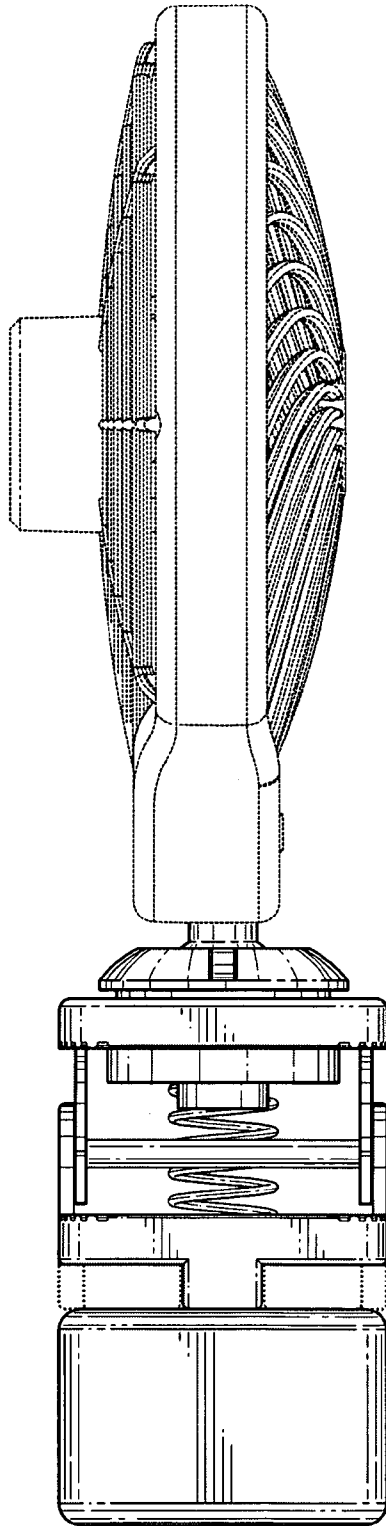


FIG. 6

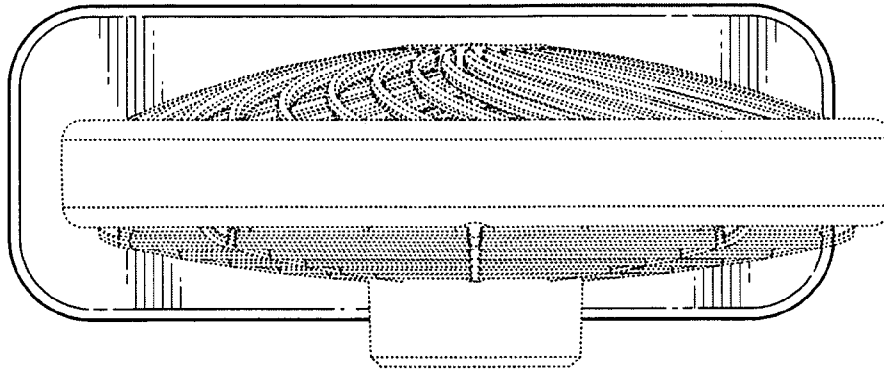


FIG. 7

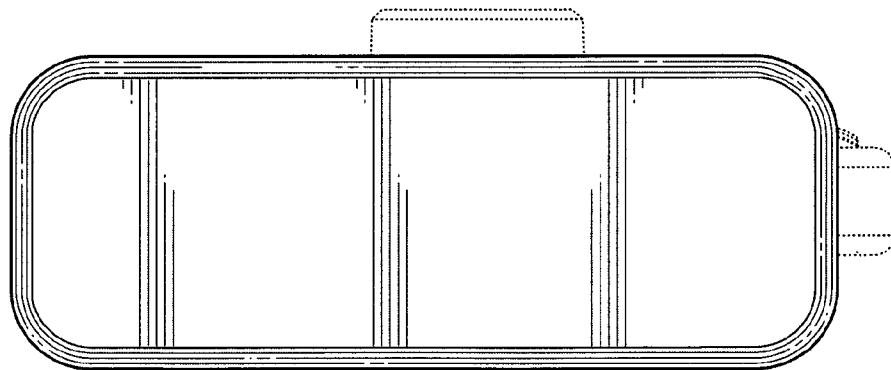


FIG. 8