



US00D838072S

(12) **United States Design Patent**
Bergman et al.

(10) **Patent No.:** **US D838,072 S**
(45) **Date of Patent:** **** Jan. 8, 2019**

- (54) **PAINT CONTAINER**
- (71) Applicant: **Bercom International, LLC**,
Chanhassen, MN (US)
- (72) Inventors: **Mark W. Bergman**, Minnetonka, MN
(US); **Jeffrey T. Given**, St. Paul, MN
(US); **Matthew V. Leyden**, St. Paul,
MN (US); **Jeffrey B. Waffensmith**,
North Oaks, MN (US)
- (73) Assignee: **Bercom International, LLC**,
Chanhassen, MN (US)
- (**) Term: **15 Years**
- (21) Appl. No.: **29/610,298**
- (22) Filed: **Jul. 11, 2017**
- (51) **LOC (11) Cl.** **07-07**
- (52) **U.S. Cl.**
USPC **D32/53.1**
- (58) **Field of Classification Search**
USPC D32/53-54; 15/264; 220/669, 752-3,
220/659, 770, 904, 570; D8/313, 315;
16/430; D28/56
CPC A47L 13/58; A47J 47/18; A47J 13/50;
B65D 25/2802; B65D 25/28; B44D
3/128; B44D 1/126
See application file for complete search history.

D647,269 S *	10/2011	Searcy	D32/53.1
D668,412 S *	10/2012	Bergman	D32/53.1
D702,907 S *	4/2014	Bergman	D32/54
D765,935 S *	9/2016	Horton, III	D32/53.1
D794,892 S *	8/2017	Bergman	D32/53.1
D796,140 S *	8/2017	Bergman	D32/53.1

* cited by examiner

Primary Examiner — Robin V Webster
(74) *Attorney, Agent, or Firm* — James L. Young;
Westman, Champlin & Koehler, P.A.

(57) **CLAIM**

The ornamental design for a paint container, as shown and described.

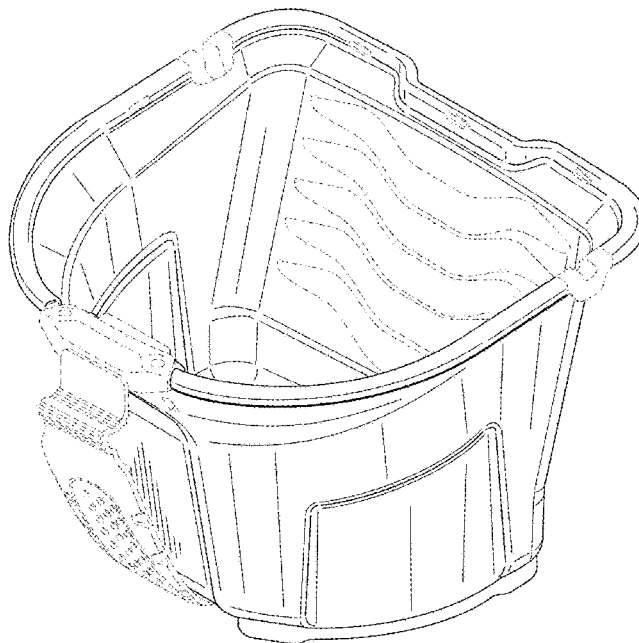
DESCRIPTION

FIG. 1 is a top, right side and back perspective view of a paint container;
FIG. 2 is a bottom, left side and back perspective view of the container of FIG. 1;
FIG. 3 is a left side view of the container of FIG. 1;
FIG. 4 is a right side view of the container of FIG. 1;
FIG. 5 is a back view of the container of FIG. 1;
FIG. 6 is a front view of the container of FIG. 1;
FIG. 7 is a top view of the container of FIG. 1; and,
FIG. 8 is a bottom view of the container of FIG. 1.
The dashed lines in the FIGS. are for illustrative purposes only and form no part of the claimed design.
The dot-dashed-dot lines in the FIGS. represent the border between claimed and unclaimed subject matter and form no part of the claimed design.

1 Claim, 8 Drawing Sheets

(56) **References Cited**
U.S. PATENT DOCUMENTS

D482,830 S *	11/2003	Kohn	D32/53.1
D613,016 S *	3/2010	Bergman	D32/54



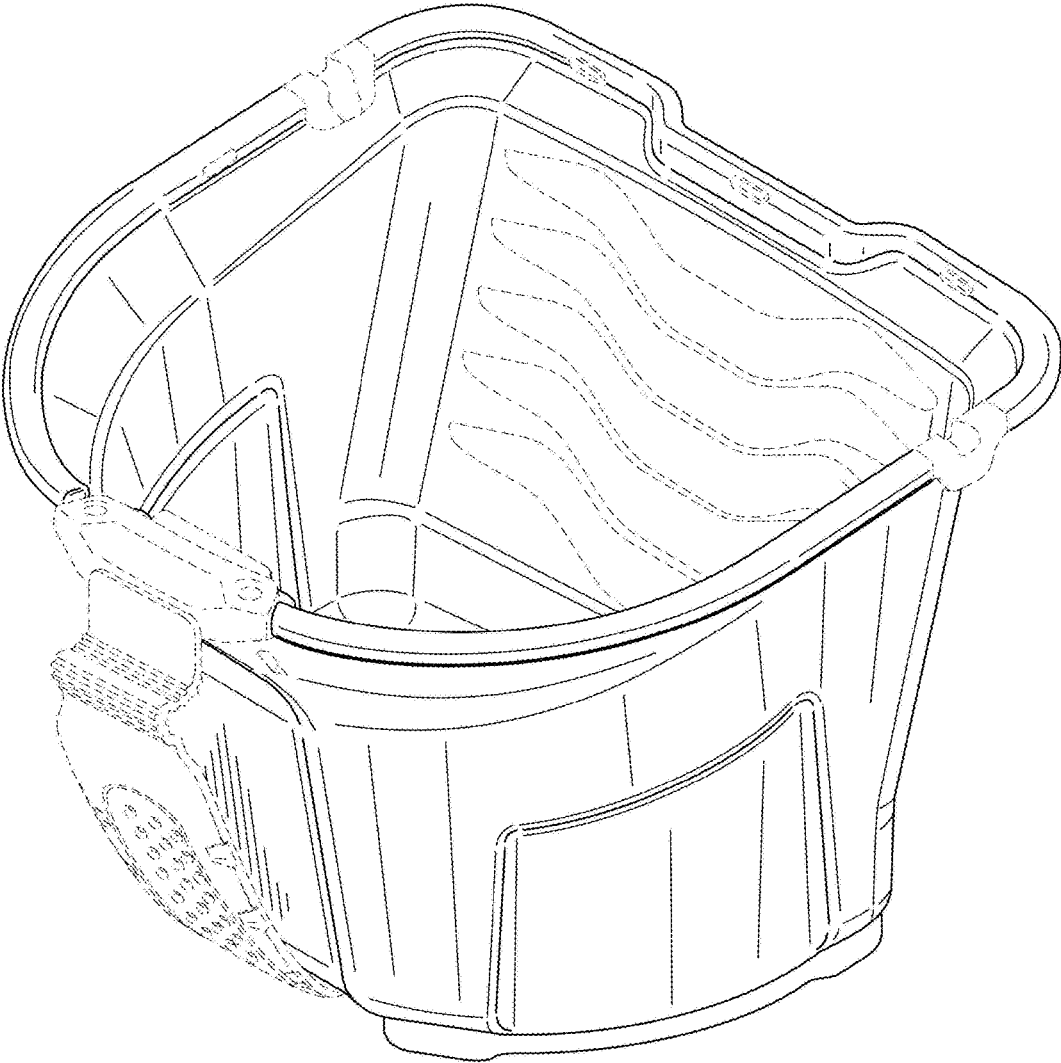


Fig.1

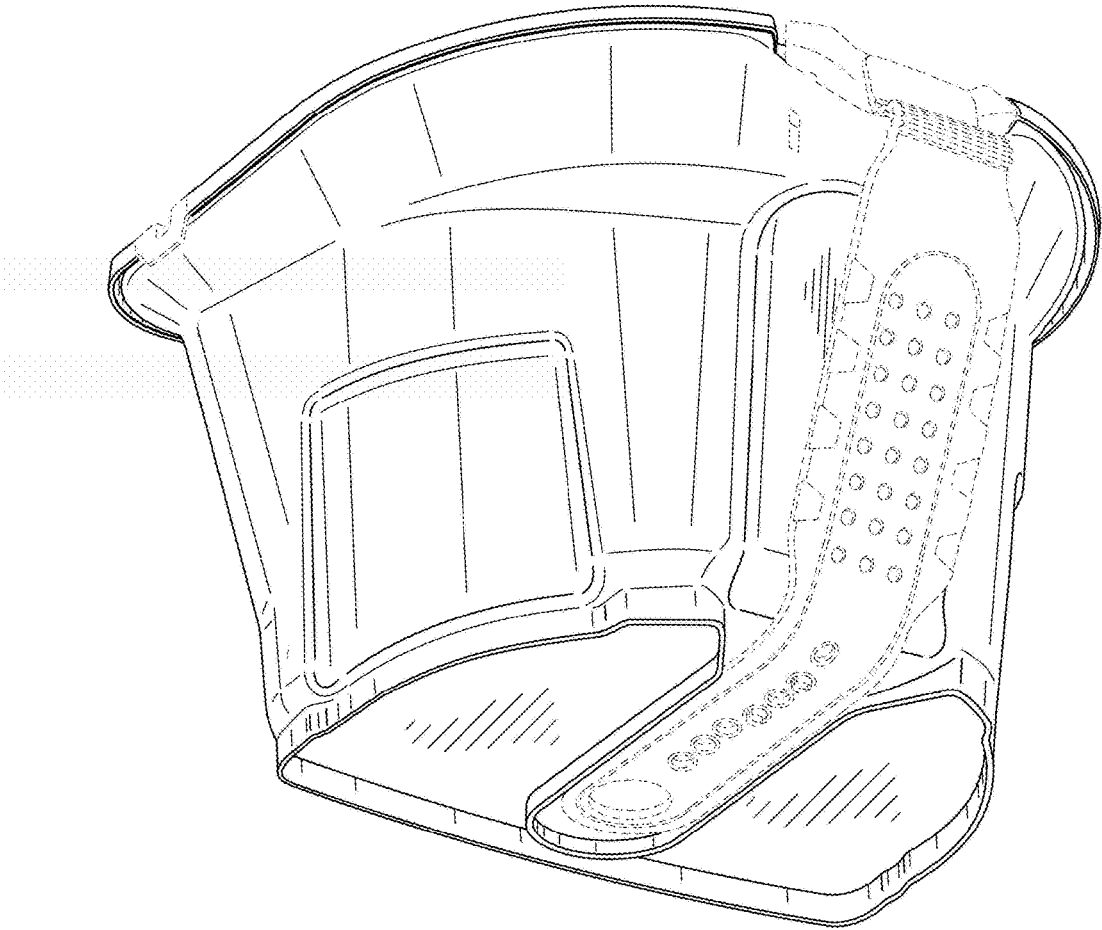


Fig. 2

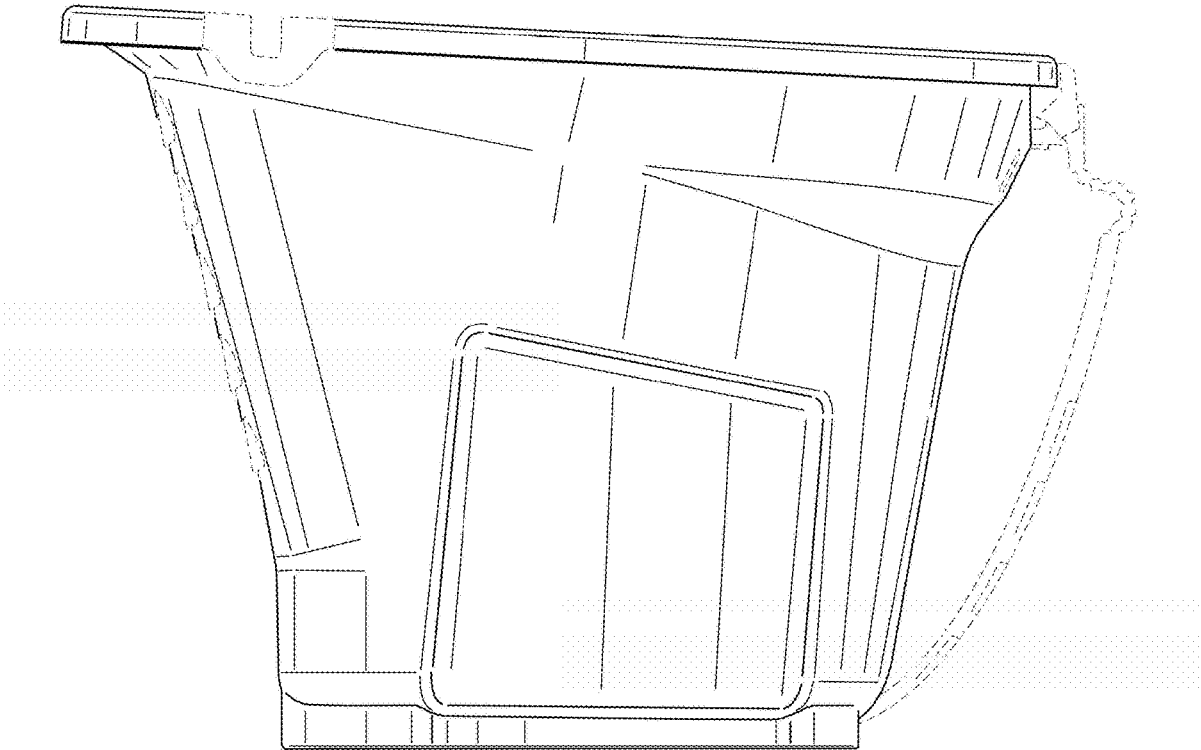


Fig. 3

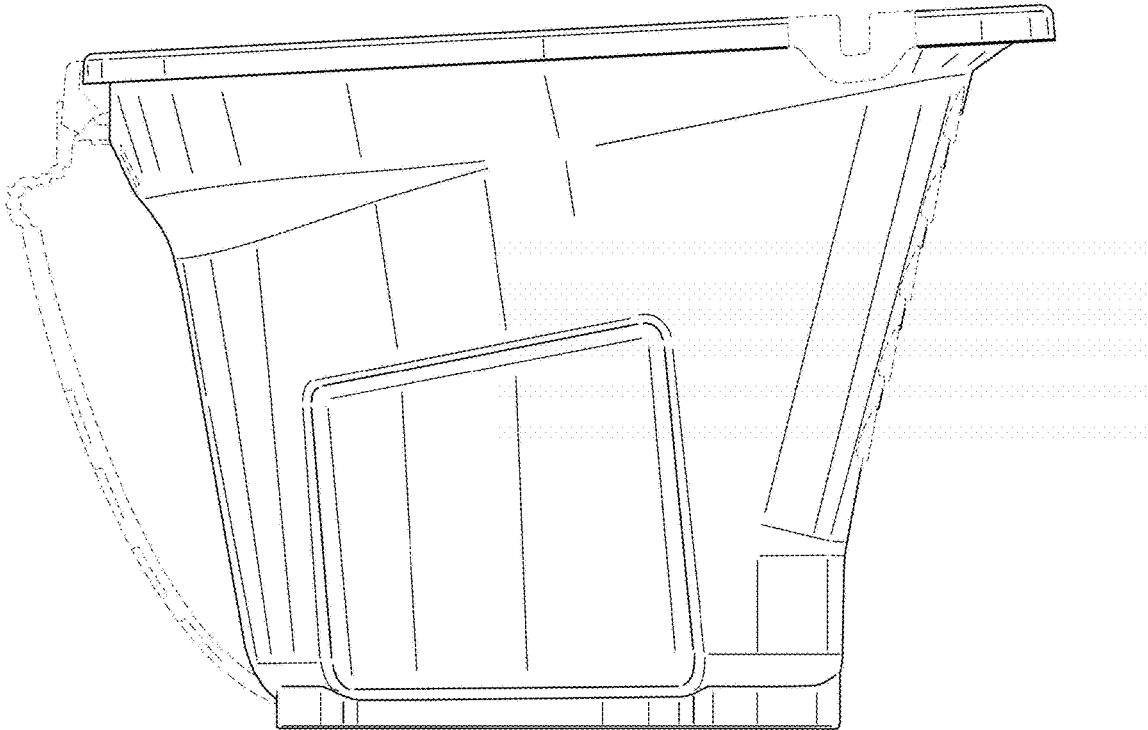


Fig. 4

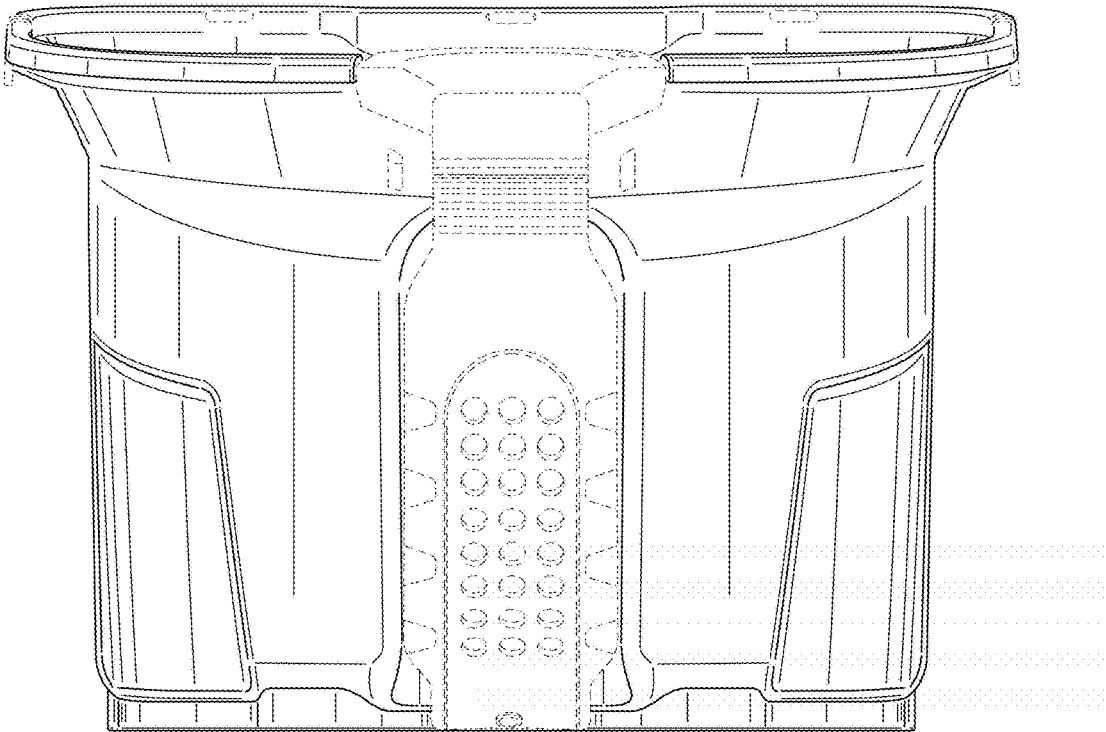


Fig. 5

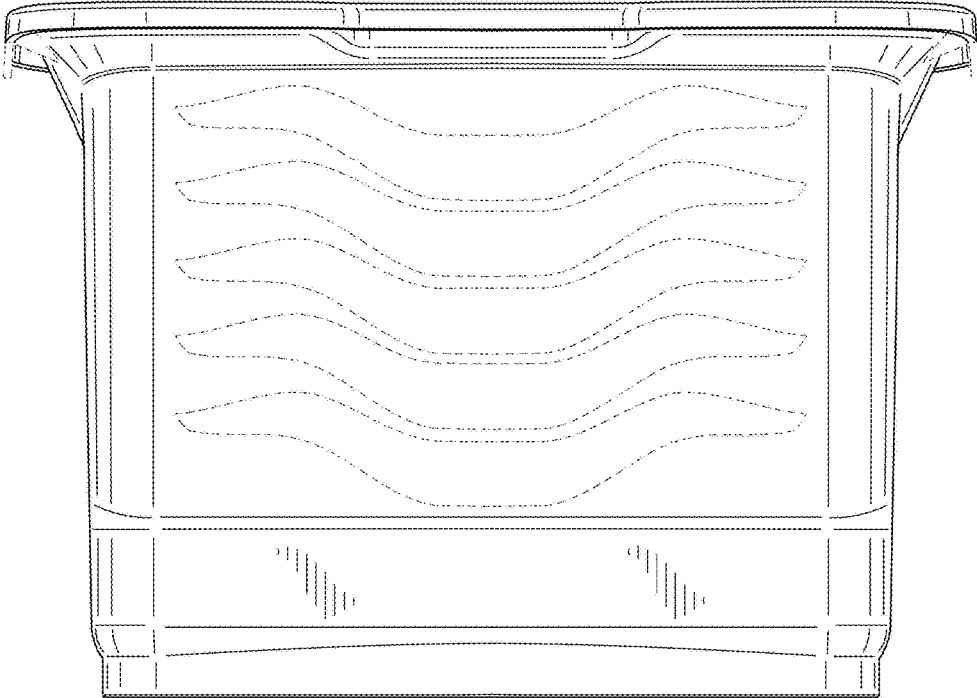


Fig.6

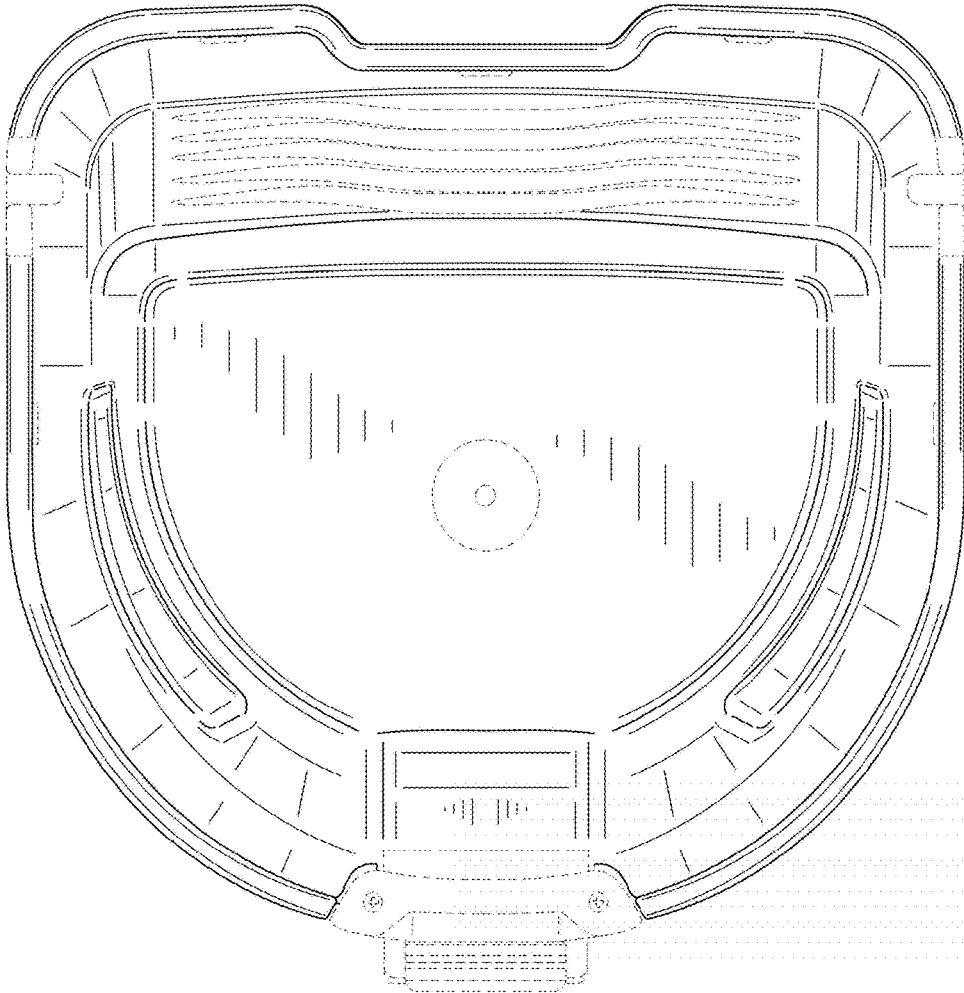


Fig. 7

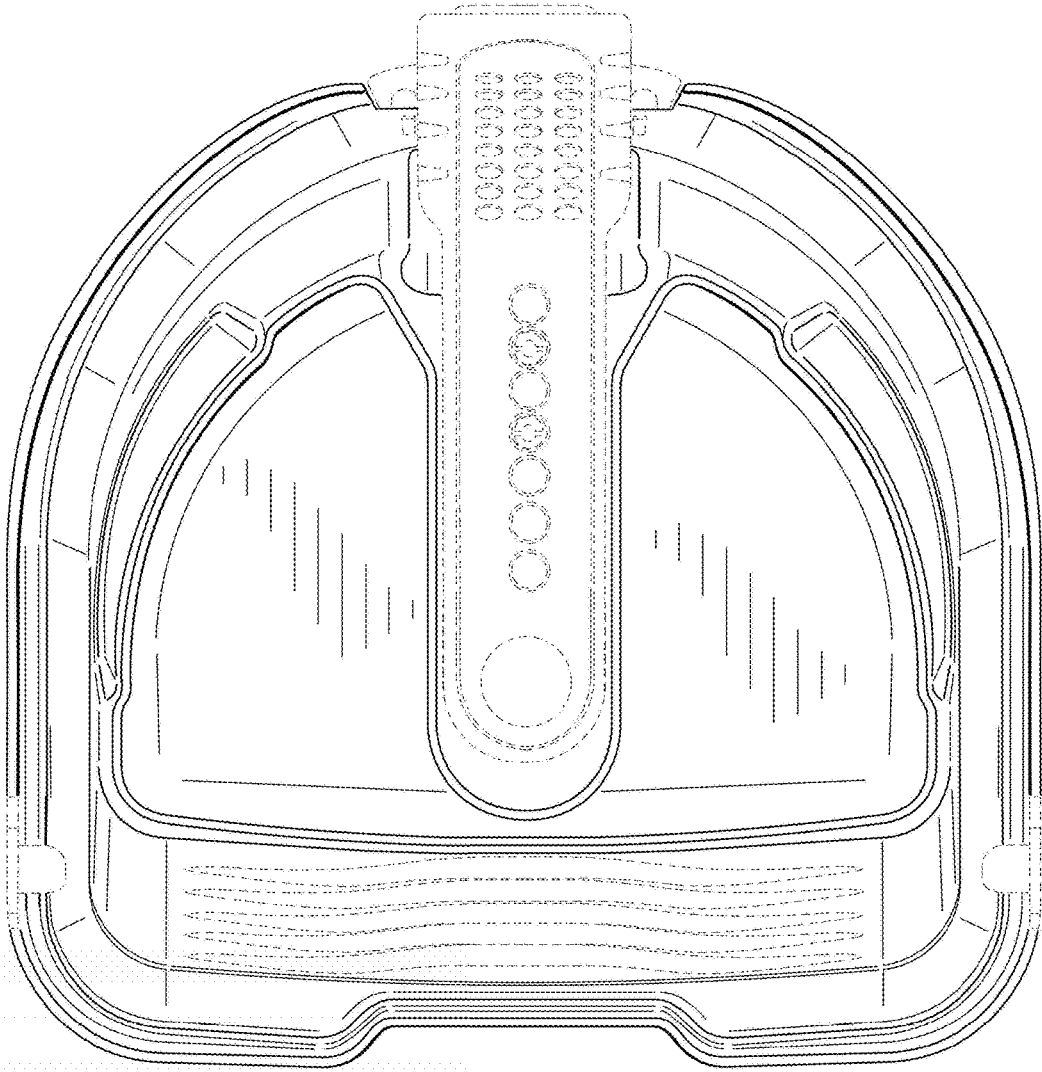


Fig. 8