



US00D455324S

(12) **United States Design Patent**
Wright

(10) **Patent No.:** **US D455,324 S**

(45) **Date of Patent:** **** Apr. 9, 2002**

(54) **SPICE MILL**

D361,478 S * 8/1995 Kinsman et al. D7/679

(75) Inventor: **Sabrena Wright**, Bellevue, WA (US)

* cited by examiner

(73) Assignee: **Progressive International Corp.**, Kent, WA (US)

Primary Examiner—Terry A. Wallace

(74) *Attorney, Agent, or Firm*—John R. Benefiel

(**) Term: **14 Years**

(57) **CLAIM**

(21) Appl. No.: **29/140,478**

The ornamental design for a spice mill, as shown and described.

(22) Filed: **Apr. 18, 2001**

DESCRIPTION

(51) **LOC (7) Cl.** **07-06**

FIG. 1 is a perspective view of a spice mill according to the present invention.

(52) **U.S. Cl.** **D7/679**

FIG. 2 is a front view of the of the spice mill shown in FIG. 1.

(58) **Field of Search** D7/679, 372, 373,
D7/591-597; 222/142.1-142.9, 480; 241/168,
169, 169.1, 262, 286

1.

FIG. 3 is a top view of the spice mill shown in FIGS. 1 and 2.

FIG. 4 is a side view of the spice mill shown in FIGS. 1-3; and,

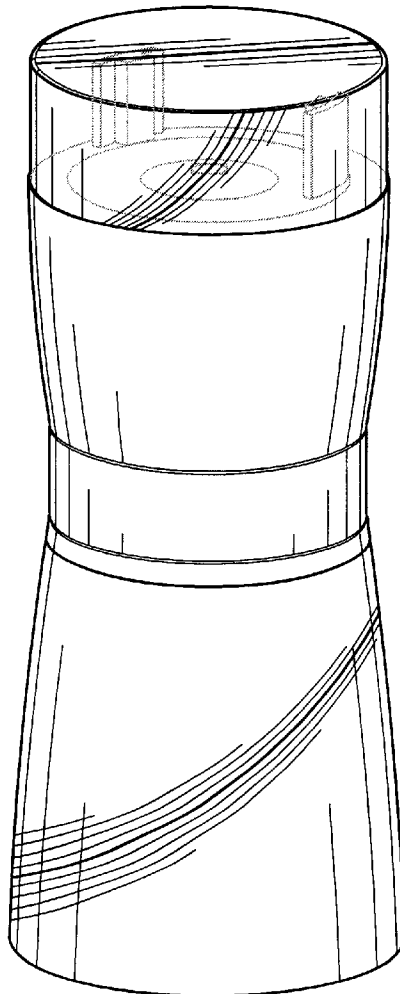
FIG. 5 is a bottom view of the spice mill shown in FIGS. 1-4.

(56) **References Cited**

U.S. PATENT DOCUMENTS

3,168,256 A * 2/1965 Bounds et al. 241/169.1
3,991,947 A * 11/1976 Schlessel 241/169.1

1 Claim, 2 Drawing Sheets



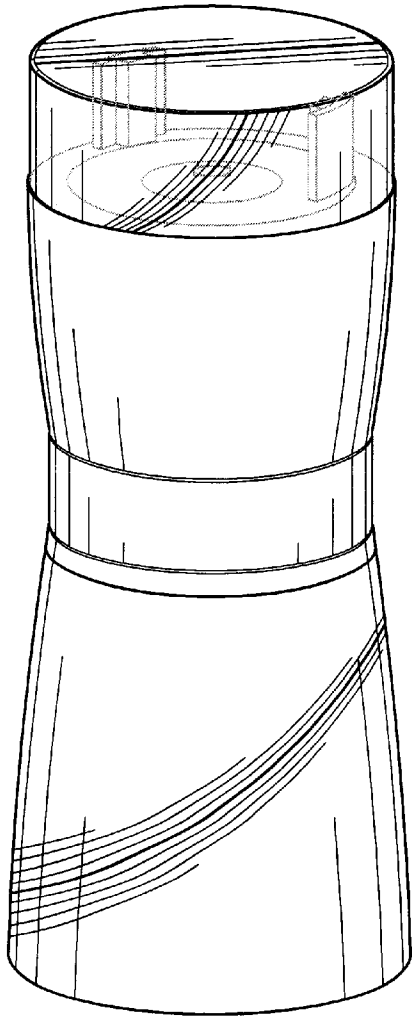


Figure 1

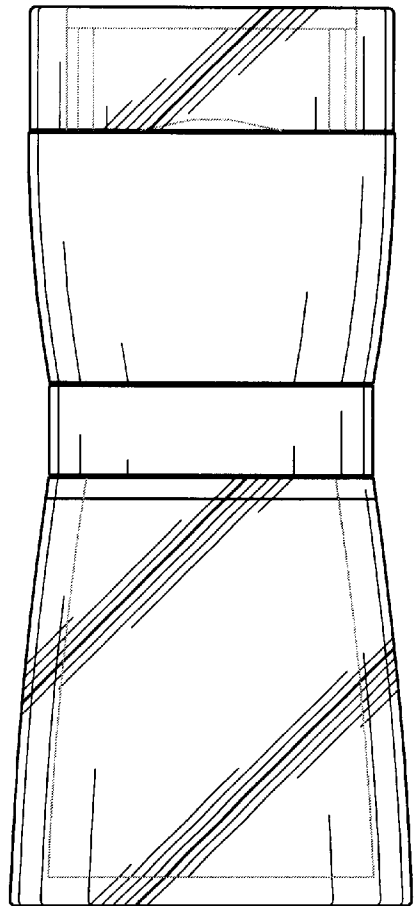


Figure 2

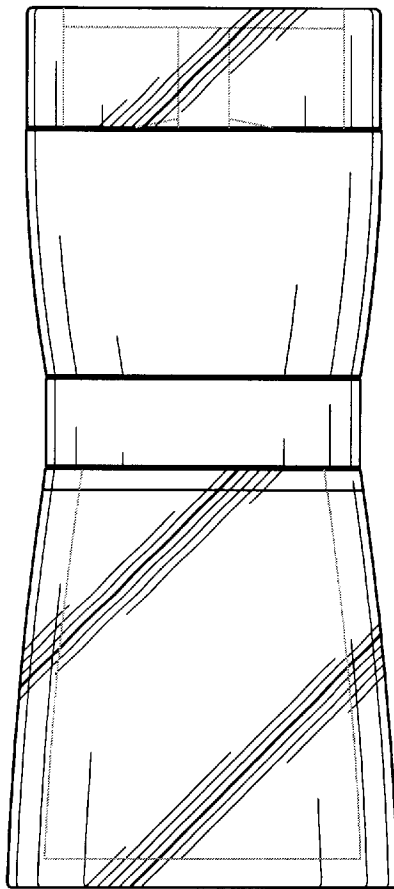


Figure 3

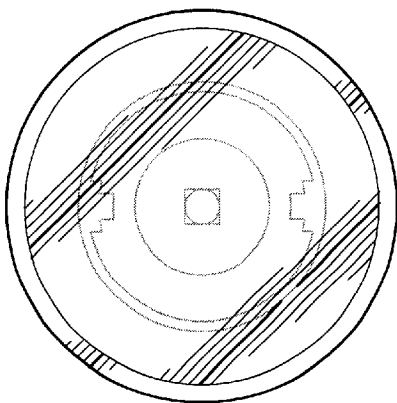


Figure 4

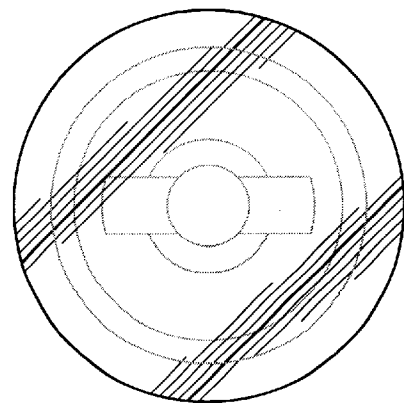


Figure 5