



US00D371377S

United States Patent [19]

[11] **Patent Number:** Des. 371,377

Miyahara

[45] **Date of Patent:** **Jul. 2, 1996

[54] **ELECTRONIC CAMERA**

[75] **Inventor:** Kazuhiko Miyahara, Yokohama, Japan

[73] **Assignee:** Canon Kabushiki Kaisha, Tokyo, Japan

[**] **Term:** 14 Years

[21] **Appl. No.:** 38,083

[22] **Filed:** Apr. 28, 1995

[30] Foreign Application Priority Data

Nov. 5, 1994 [JP] Japan 6-33831 U

[52] **U.S. Cl. D16/202; D16/200**

[58] **Field of Search D16/200-205, D16/208, 209, 216-218; 348/373-376; 354/75, 76; 358/906, 909.1**

[56] References Cited

U.S. PATENT DOCUMENTS

D. 289,658	5/1987	Colani	D16/200
D. 297,145	8/1988	Kikuchi et al.	D16/218
D. 303,534	9/1989	Lane et al.	D16/217
D. 306,306	2/1990	Robinson et al.	D16/200
D. 311,925	11/1990	Kikuchi	D16/218
D. 314,202	1/1991	Shinano	D16/202
D. 314,203	1/1991	Shinano	D16/202

D. 314,580	2/1991	Shinano	D16/202
D. 316,720	5/1991	Sano	D16/202
D. 317,615	6/1991	Kikuchi et al.	D16/202
D. 321,089	10/1991	Miyahara	D3/33
D. 327,492	6/1992	Shinano	D16/202
D. 340,732	10/1993	Sano et al.	D16/202
D. 342,539	12/1993	Miyahara	D16/202
D. 356,097	3/1995	Sakata et al.	D16/202
D. 361,079	8/1995	Ono	D16/202

Primary Examiner—Ted Shooman
Assistant Examiner—Adir Aronovich
Attorney, Agent, or Firm—Fitzpatrick, Cella, Harper & Scinto

[57] CLAIM

The ornamental design for an electronic camera, as shown and described.

DESCRIPTION

FIG. 1 is a front elevational view of an electronic camera showing my new design;
FIG. 2 is a rear elevational view thereof;
FIG. 3 is a top plan view thereof;
FIG. 4 is a bottom plan view thereof;
FIG. 5 is a left side elevational view thereof;
FIG. 6 is a right side elevational view thereof; and,
FIG. 7 is a perspective view thereof.

1 Claim, 3 Drawing Sheets

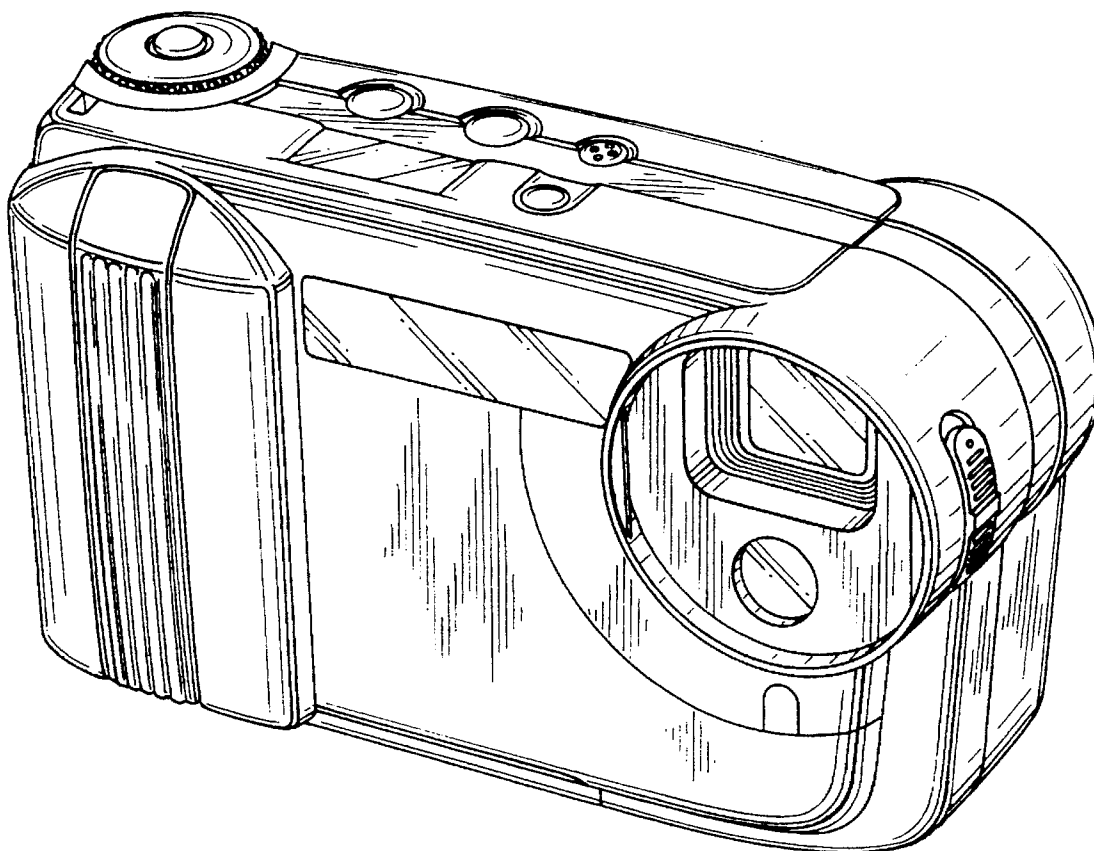


FIG. 1

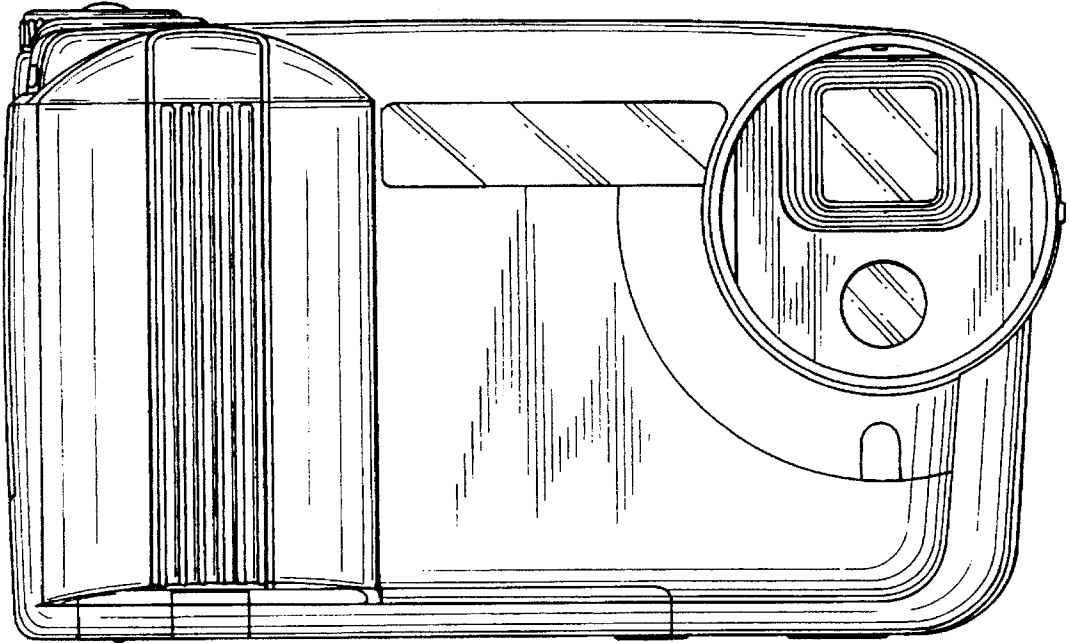


FIG. 2

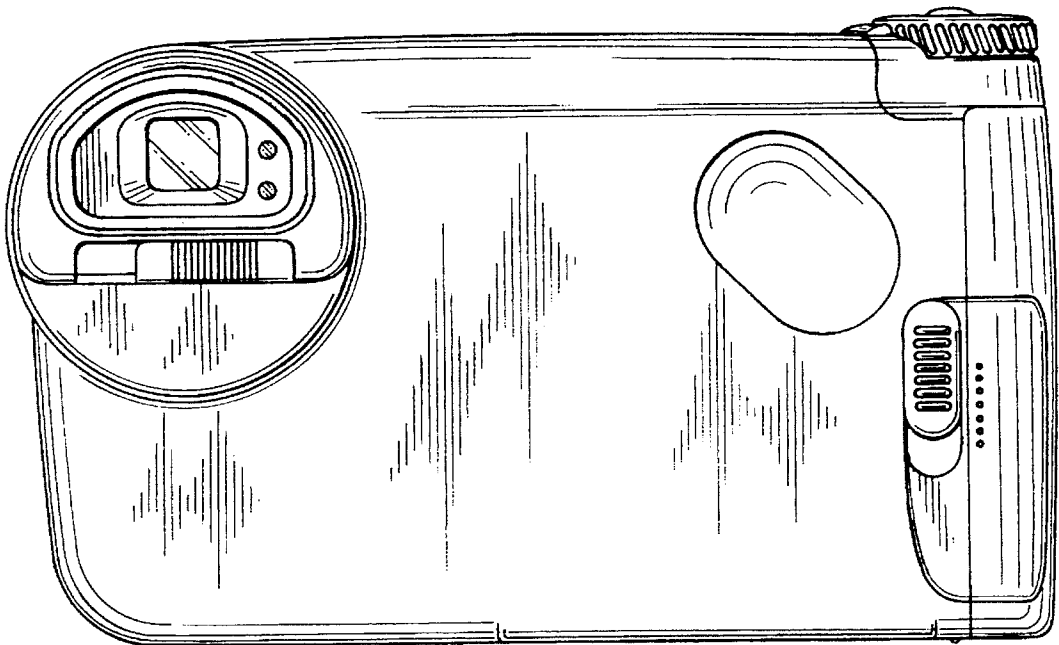


FIG. 3

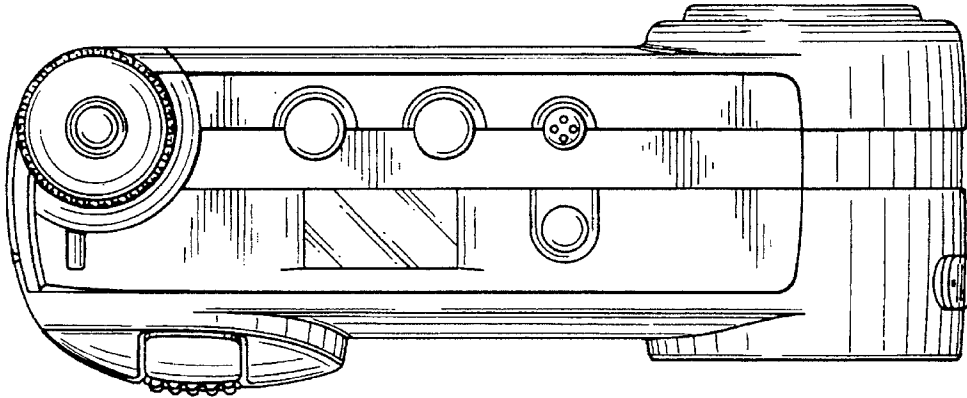


FIG. 4

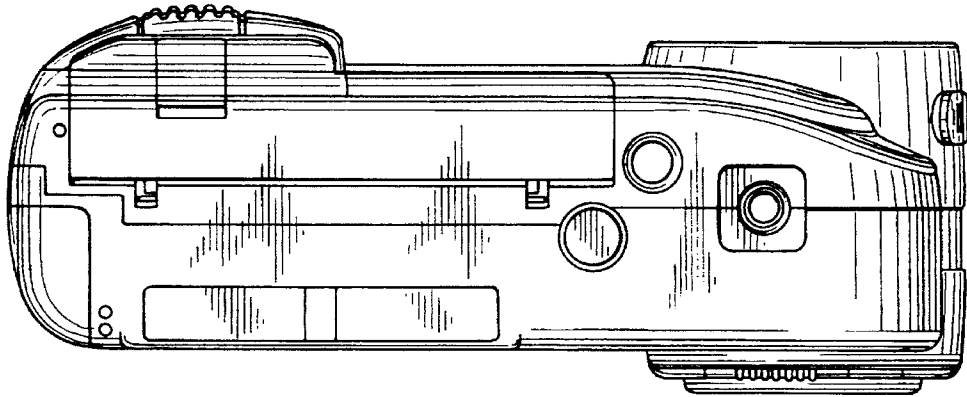


FIG. 5

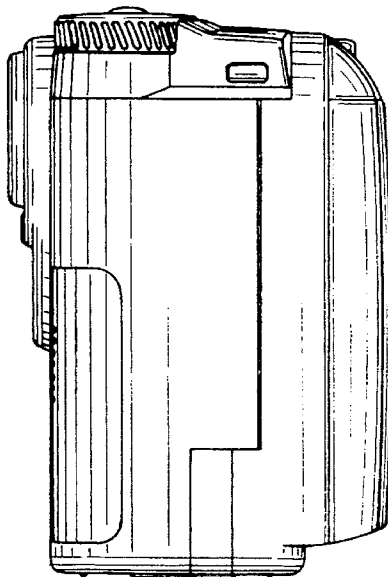


FIG. 6

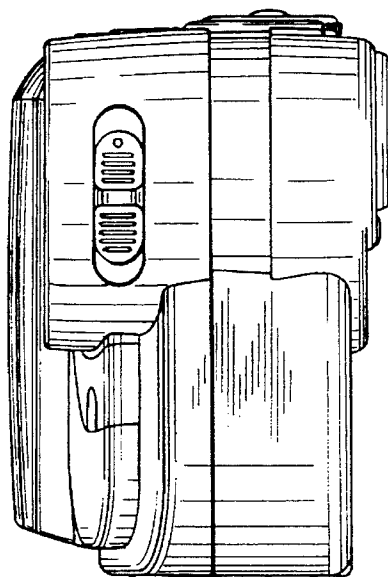


FIG. 7

