



US00D630918S

(12) **United States Design Patent**  
**Johnson et al.**

(10) **Patent No.:** **US D630,918 S**

(45) **Date of Patent:** **\*\* Jan. 18, 2011**

(54) **UNIVERSAL RATCHETING TOOL**

(75) Inventors: **Ronald L. Johnson**, San Jose, CA (US);  
**Robert J. Gallegos**, Fremont, CA (US);  
**Steven Simas Escobar**, San Jose, CA  
(US); **Anders Scot Hudson**, Campbell,  
CA (US); **Idriss Mansouri-Chafik**  
**Ruiz**, San Jose, CA (US); **Yugen**  
**Patrick Lockhart**, Palo Alto, CA (US);  
**Howard Allen Wilson**, Santa Clara, CA  
(US); **Eric M. Colton**, Torrance, CA  
(US)

1,753,026 A	4/1930	Rosati	
1,888,222 A	11/1932	Curtis et al.	
2,332,656 A	10/1943	Mirando	30/22
2,346,364 A	4/1944	Dowe	279/83
D142,982 S	11/1945	Bloomfield	
2,409,613 A	10/1946	Brooks	306/32
2,410,971 A	11/1946	Hartley	

(Continued)

**FOREIGN PATENT DOCUMENTS**

(73) Assignee: **Wagic, Inc.**, Los Gatos, CA (US) CA 1 147 176 5/1983

(\*\*) Term: **14 Years**

(21) Appl. No.: **29/294,574**

(22) Filed: **Jan. 17, 2008**

(51) **LOC (9) Cl.** ..... **08-05**

(52) **U.S. Cl.** ..... **D8/25**

(58) **Field of Classification Search** ..... D8/21-29,  
D8/51, 83, 84, 10, 300, 313; 81/177.1, 177.3,  
81/177.4, 177.85; D7/394; D15/17, 18;  
16/110.1, 111.1, 422, 430

See application file for complete search history.

(56) **References Cited**

**U.S. PATENT DOCUMENTS**

244,309 A	7/1881	Rhodes
647,528 A	4/1900	Schmidt
873,363 A	12/1907	Ross
1,000,900 A	8/1911	Dorsey
1,172,656 A	2/1916	Yorgensen
1,337,769 A	4/1920	Hemming
1,398,583 A	11/1921	Bovee
1,500,852 A	7/1924	Shepard
1,530,905 A	3/1925	Nance
1,559,097 A	10/1925	Hill

(Continued)

*Primary Examiner*—Raphael Barkai  
*Assistant Examiner*—Randall Gholson  
(74) *Attorney, Agent, or Firm*—Haverstock & Owens LLP

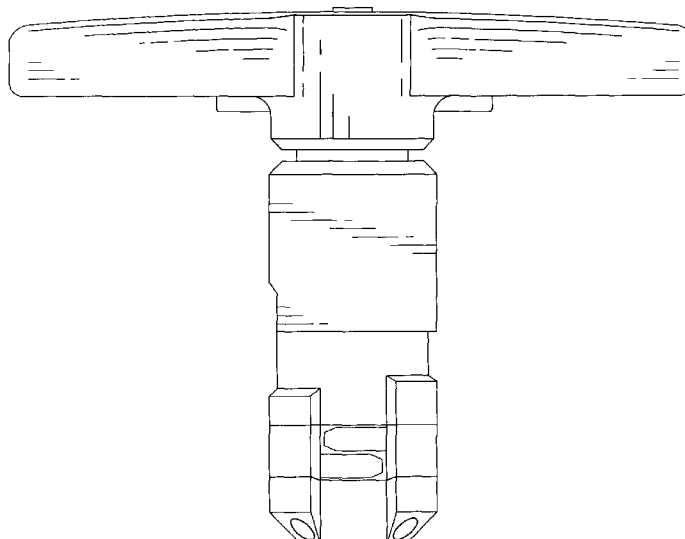
(57) **CLAIM**

We claim the ornamental design for a universal ratcheting tool, as shown and described.

**DESCRIPTION**

FIG. 1 is a front view of the universal ratcheting tool;  
FIG. 2 is a back view of the universal ratcheting tool;  
FIG. 3 is a left side view of the universal ratcheting tool;  
FIG. 4 is a right side view of the universal ratcheting tool;  
FIG. 5 is a bottom view of the universal ratcheting tool;  
FIG. 6 is a top view of the universal ratcheting tool; and,  
FIG. 7 is a perspective view of the universal ratcheting tool.

**1 Claim, 7 Drawing Sheets**



U.S. PATENT DOCUMENTS							
2,465,619 A	3/1949	Veit .....	306/32	5,147,038 A	9/1992	Pergeau	
2,475,268 A	7/1949	Wittle .....	279/14	D333,769 S	3/1993	Jureckson .....	D8/71
D156,677 S	12/1949	Smith .....	D17/14	D334,516 S	4/1993	Tsunoda .....	D8/29
D157,154 S	2/1950	Horton .....	D58/11	D339,048 S	9/1993	Baum .....	D8/107
2,512,967 A	6/1950	Quiron .....	145/50	5,263,389 A	11/1993	Frazzell et al. ....	81/124.3
2,530,024 A	11/1950	Moody .....	206/17	5,265,504 A	11/1993	Fruhm .....	81/439
2,532,636 A	12/1950	Minnich .....	206/16	D342,433 S	12/1993	Sorenson .....	D8/107
2,569,069 A	9/1951	Motel .....	145/50	5,271,300 A	12/1993	Zurbuchen et al. ....	81/124.4
2,593,828 A	4/1952	Arey .....	81/177	D343,106 S	1/1994	Eklind et al. ....	D8/71
D175,056 S	6/1955	Wilson		5,295,422 A	3/1994	Chow	
2,715,028 A	8/1955	Dossie .....	279/9	5,320,004 A	6/1994	Hsiao .....	81/440
2,719,042 A	9/1955	Epsy .....	279/9	5,329,834 A	7/1994	Wong .....	81/58.3
2,800,816 A *	7/1957	Tasciotti .....	81/120	D359,671 S	6/1995	Acosta	
2,804,970 A	9/1957	Kuc et al. ....	206/16	5,450,774 A	9/1995	Chang .....	81/440
2,842,020 A	7/1958	Tarquinio .....	81/177	5,450,775 A	9/1995	Kozak .....	81/440
2,844,244 A	7/1958	Hanson		5,461,950 A	10/1995	Iwinski	
2,854,741 A	10/1958	Cholger		5,495,942 A	3/1996	Izhak .....	206/372
2,878,701 A	3/1959	Weersma		5,499,560 A	3/1996	Aeschliman	
3,023,054 A	2/1962	Shigekuni		5,499,562 A	3/1996	Feng .....	81/177.4
3,061,927 A	11/1962	Von Frankenberg Und Ludwigs- dorf .....	30/156	5,517,885 A	5/1996	Feng .....	81/177.4
3,113,479 A	12/1963	Swingle .....	81/177	5,522,291 A	6/1996	Liu .....	81/490
3,222,959 A	12/1965	Clark		5,535,882 A	7/1996	Liu .....	206/377
3,255,792 A	6/1966	Beck		D373,943 S	9/1996	Fuhrmann .....	D8/71
3,257,991 A	6/1966	Mosch .....	120/1	5,553,340 A	9/1996	Brown, Jr. ....	7/118
D205,745 S	9/1966	Nannfeldt .....	D80/9	5,566,596 A	10/1996	Lin .....	81/490
3,424,039 A	1/1969	Scott		D376,520 S	12/1996	Morin .....	D8/14
3,592,086 A	7/1971	Derwin .....	81/177 A	5,581,834 A	12/1996	Collins .....	7/118
3,802,286 A	4/1974	Winklhofer et al. ...	74/242.11 S	D377,444 S	1/1997	Lin .....	D8/107
3,863,693 A	2/1975	Carriker		5,592,859 A	1/1997	Johnson et al. ....	81/177.4
3,943,801 A	3/1976	Yates .....	81/71	D378,797 S	4/1997	Poremba et al. ....	D8/107
3,958,469 A *	5/1976	Meese .....	81/58.3	D380,131 S	6/1997	Sung	
4,000,767 A	1/1977	Geng		D382,190 S	8/1997	Blackston et al. ....	D8/107
4,043,230 A	8/1977	Scrivens .....	81/177 A	D383,048 S	9/1997	Sorenson et al. ....	D8/107
4,154,125 A	5/1979	Frank .....	74/553	5,662,013 A	9/1997	Lin .....	81/490
4,196,761 A	4/1980	Royer		D385,172 S	10/1997	Bramsiepe et al. ....	D8/83
4,227,430 A	10/1980	Jansson et al. ....	81/177 M	D386,955 S *	12/1997	Jones et al. ....	D8/25
4,235,269 A	11/1980	Kraus		5,711,042 A	1/1998	Chuang .....	7/138
4,241,773 A	12/1980	Personnat		D394,794 S *	6/1998	Vasudeva .....	D8/107
4,302,990 A	12/1981	Chrichton et al. ....	81/60	5,758,870 A	6/1998	Weaver	
4,308,770 A	1/1982	MacDonald		5,765,247 A	6/1998	Seber et al. ....	7/128
4,327,790 A	5/1982	Stevens et al.		5,791,211 A	8/1998	Bondhus et al. ....	81/440
4,384,499 A	5/1983	Shockley .....	81/440	5,803,584 A	9/1998	Chung	
4,424,728 A	1/1984	MacDonald .....	81/177	D400,775 S	11/1998	Hsu .....	D8/107
4,448,097 A	5/1984	Rocca		5,855,274 A	1/1999	Piao	
4,469,109 A *	9/1984	Mehl .....	600/566	D405,335 S	2/1999	Lin .....	D8/82
4,525,889 A	7/1985	Dunau		5,911,799 A	6/1999	Johnson et al. ....	81/177.4
4,699,020 A	10/1987	Bush et al.		5,916,277 A	6/1999	Dallas .....	7/128
4,703,673 A	11/1987	Allen		5,970,828 A	10/1999	Bondhus et al. ....	81/440
4,711,353 A	12/1987	Rozmestor .....	206/378	D415,946 S	11/1999	Tsai .....	D8/107
4,716,795 A	1/1988	Corona et al. ....	81/177.4	5,983,759 A	11/1999	Turner	
4,716,796 A	1/1988	Corona et al. ....	81/177.4	5,992,626 A	11/1999	Anderson .....	206/378
4,767,006 A	8/1988	Wasem		D420,885 S *	2/2000	Lin .....	D8/107
4,787,276 A	11/1988	Condon .....	81/177.1	D426,449 S	6/2000	Eklind .....	D8/107
4,815,346 A	3/1989	Littlehorn		D426,450 S	6/2000	Eklind .....	D8/107
4,819,523 A	4/1989	Souza		D427,875 S	7/2000	Chiu .....	D8/105
4,819,800 A	4/1989	Wilson		6,089,133 A	7/2000	Liao	
4,820,090 A	4/1989	Chen .....	408/241 R	6,095,018 A	8/2000	Schuster	
4,882,841 A	11/1989	Margolis .....	30/125	6,105,767 A	8/2000	Vasudeva	
4,926,721 A	5/1990	Hsiao .....	81/177.4	6,119,560 A	9/2000	Anderson et al. ....	81/440
D308,462 S	6/1990	Komatsu .....	D8/105	6,128,981 A	10/2000	Bondhus et al. ....	81/440
4,934,223 A	6/1990	Wong .....	81/490	D433,910 S	11/2000	Oliver et al.	
4,960,016 A	10/1990	Seals		6,151,998 A	11/2000	Fu-Hui	
4,974,477 A	12/1990	Anderson		D435,415 S	12/2000	Johnson et al. ....	D8/71
4,979,407 A	12/1990	Hernandez et al. ....	81/3.09	6,164,172 A	12/2000	Huang .....	81/490
5,029,707 A	7/1991	Feng .....	206/374	D435,773 S	1/2001	Lin .....	D8/83
5,036,975 A	8/1991	Chow		D437,541 S	2/2001	Hermansen et al. ....	D8/105
5,062,173 A	11/1991	Collins et al. ....	7/118	D437,763 S	2/2001	Oliver et al.	
5,063,796 A	11/1991	Gennep		6,206,189 B1	3/2001	Huot, Jr. et al.	
5,065,487 A *	11/1991	Yother .....	292/75	6,233,769 B1	5/2001	Seber et al. ....	7/128
5,146,815 A	9/1992	Scott, III .....	81/437	6,237,451 B1	5/2001	Wei	
				6,279,434 B1	8/2001	Brown	
				D448,267 S	9/2001	Jean et al. ....	D8/105
				6,311,587 B1	11/2001	Johnson et al. ....	81/177.4

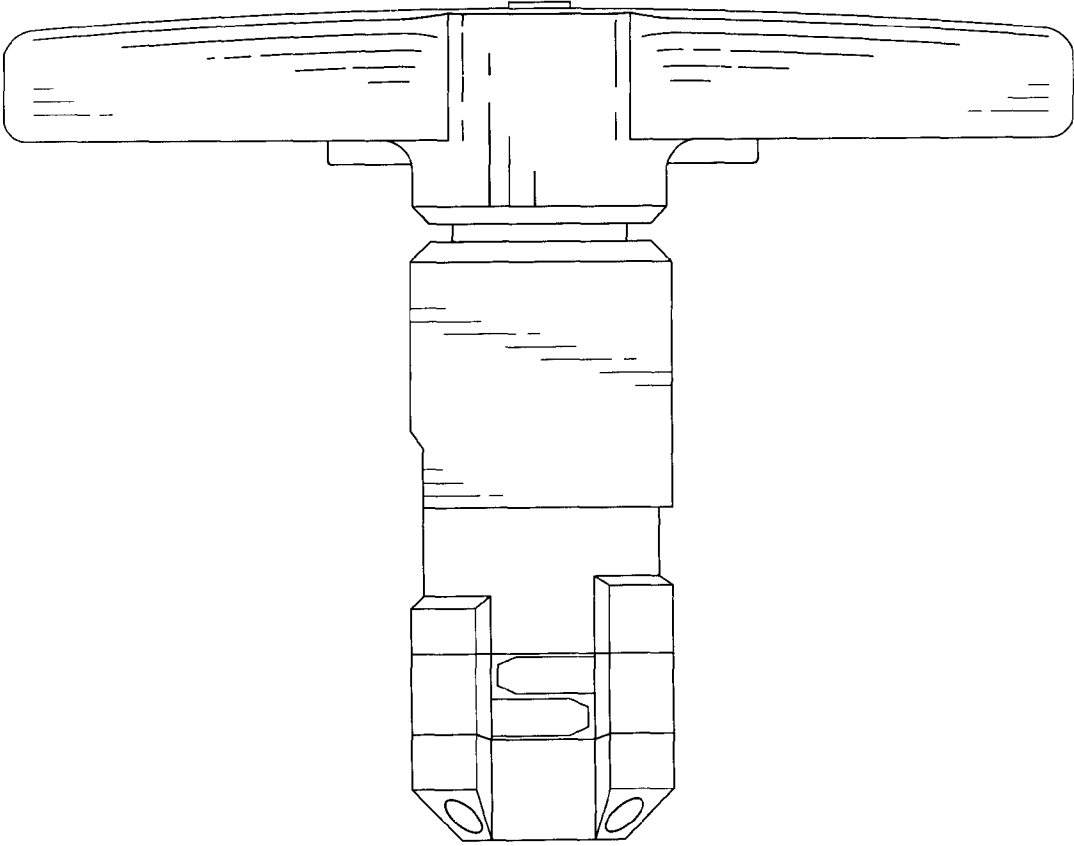
# US D630,918 S

6,314,838 B2	11/2001	Wall	D549,069 S	8/2007	Lin et al. .... D8/105
6,332,381 B1	12/2001	Vasudeva	7,281,454 B2	10/2007	Johnson et al. .... 81/177.4
6,345,557 B1	2/2002	Kuo	7,284,466 B1	10/2007	Ho
D454,766 S	3/2002	Lin	D557,099 S	12/2007	Lin
6,382,057 B1	5/2002	Kienholz	7,305,908 B2	12/2007	Chi ..... 81/177.4
6,389,931 B1	5/2002	Delaney et al.	7,467,574 B1	12/2008	Lin
6,397,709 B1	6/2002	Wall	7,467,575 B2	12/2008	Lai
6,405,620 B2	6/2002	Liao	7,565,852 B2	7/2009	Yu
D459,967 S	7/2002	Johnson et al. .... D8/71	2003/0047474 A1	3/2003	Dahlson
D462,002 S	8/2002	Jean et al. .... D8/105	2003/0126957 A1	7/2003	Huang
6,427,564 B1	8/2002	Nelson	2003/0226428 A1	12/2003	Liu
6,490,954 B2	12/2002	Johnson et al.	2004/0050218 A1	3/2004	Napoli
6,510,766 B1	1/2003	Lin ..... 81/177.4	2004/0173061 A1	9/2004	Liou
6,564,680 B1	5/2003	Rinner et al.	2004/0262344 A1	12/2004	White
6,598,503 B1	7/2003	Cunningham	2005/0011318 A1	1/2005	Tsai
D479,963 S	9/2003	Chang ..... D8/21	2005/0229752 A1	10/2005	Nickipuck
6,675,678 B2	1/2004	Liu	2005/0247587 A1	11/2005	Holland-Letz
6,698,318 B2	3/2004	Peters ..... 81/177.4	2005/0268752 A1	12/2005	Johnson et al. .... 81/177.4
6,751,819 B2	6/2004	Chuang ..... 7/100	2006/0101955 A1	5/2006	Chang
6,752,046 B1	6/2004	Lee	2006/0213059 A1	9/2006	Eggert ..... 29/857
6,763,744 B2	7/2004	Johnson et al. .... 81/177.4	2006/0288823 A1	12/2006	Schepman
D494,438 S	8/2004	Falkenstein et al. .... D8/105	2007/0151402 A1	7/2007	Schneeman et al.
6,799,490 B1	10/2004	Chu	2007/0221017 A1	9/2007	Heaven
6,898,998 B2	5/2005	Shyu	2007/0295171 A1	12/2007	Johnson et al.
6,901,826 B2	6/2005	Huang	2008/0148909 A1	6/2008	Lai
6,922,870 B2	8/2005	Tontz, Sr.	2008/0190249 A1	8/2008	Yu
6,925,910 B2	8/2005	Alford	2008/0271573 A1	11/2008	Lown et al.
6,928,908 B1	8/2005	Yu	2009/0107303 A1	4/2009	Steinweg et al.
6,935,211 B2	8/2005	Chen			
6,941,843 B2	9/2005	Johnson et al.			
6,948,406 B1	9/2005	Li			
6,968,758 B2	11/2005	Lin			
D517,391 S	3/2006	Leins ..... D8/105			
7,028,593 B1	4/2006	Lin et al.			
7,073,418 B2	7/2006	Kuo			
7,086,314 B2	8/2006	Wannop			
7,093,519 B1	8/2006	Huang			
7,100,476 B1	9/2006	Feit			
7,131,358 B2	11/2006	Hsien			
7,140,280 B2	11/2006	Hawkins et al. .... 81/440			
7,143,669 B2	12/2006	Hu			
7,150,208 B2	12/2006	Debley			
7,159,260 B2	1/2007	Hansen			
7,159,491 B1	1/2007	Chaconas et al.			
7,165,479 B1	1/2007	Lee			

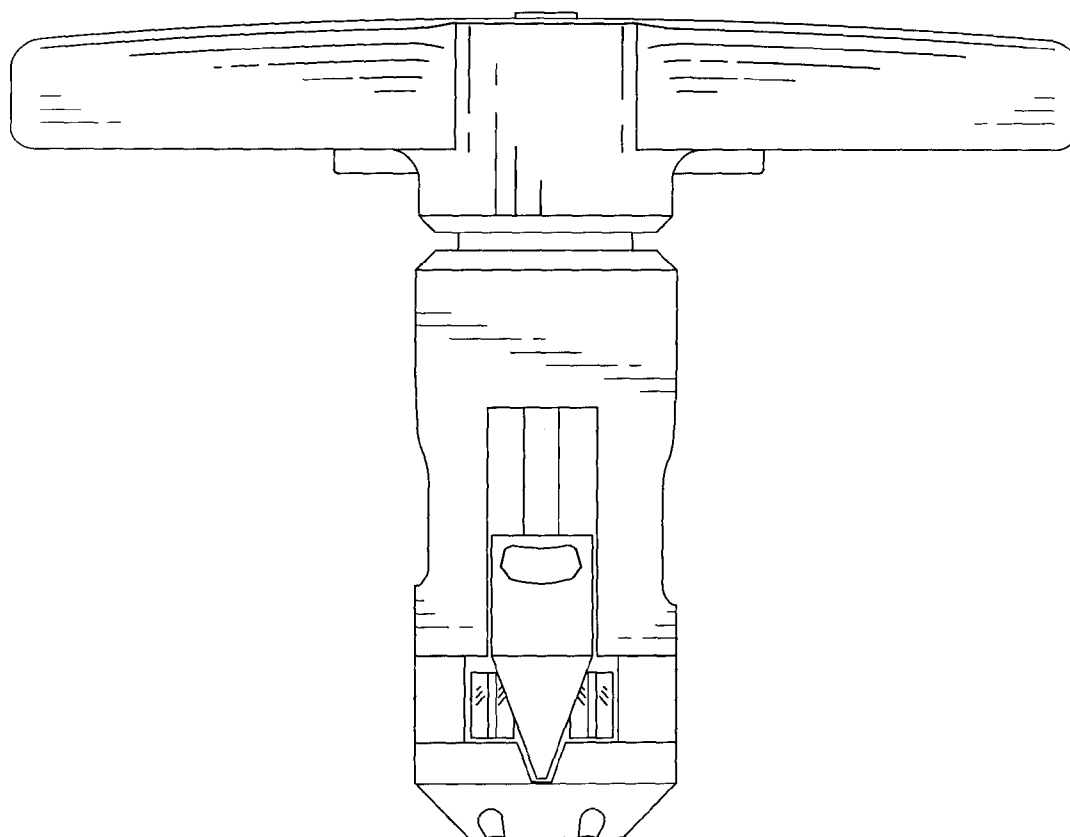
### FOREIGN PATENT DOCUMENTS

DE	24 53 480 A1	5/1976
DE	37 44 176 A1	8/1989
EP	503 559 A1	9/1992
EP	618 046 A1	10/1994
FR	787512	9/1935
GB	856223	12/1960
JP	55-045442 U	3/1980
JP	57-13165	1/1982
JP	3-47775	5/1991
JP	4-29368	3/1992
JP	5-31882	4/1993
WO	WO 83/01406	4/1983
WO	WO 97/29887	8/1997

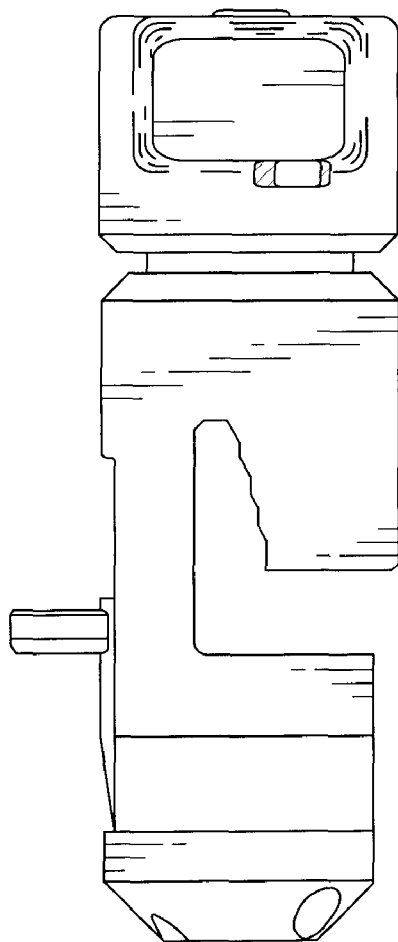
\* cited by examiner



**Fig. 1**



**Fig. 2**



**Fig. 3**

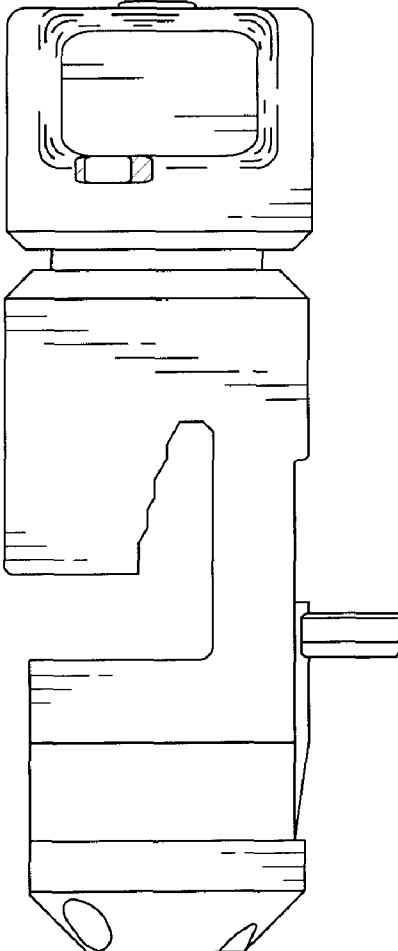
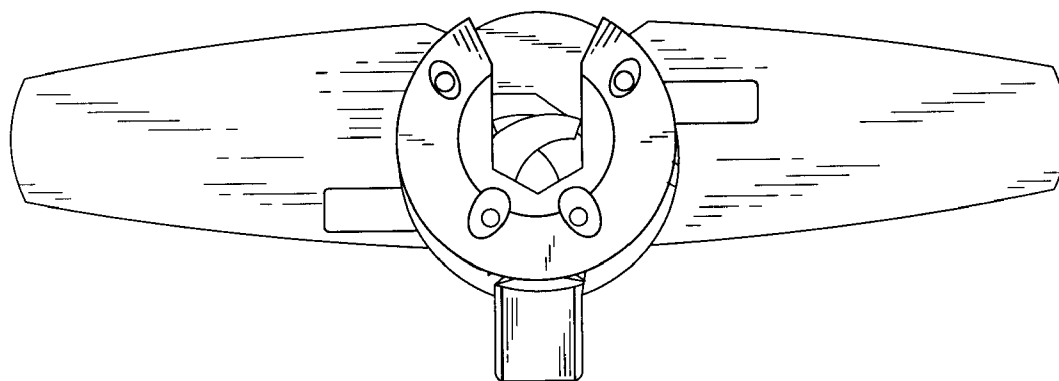
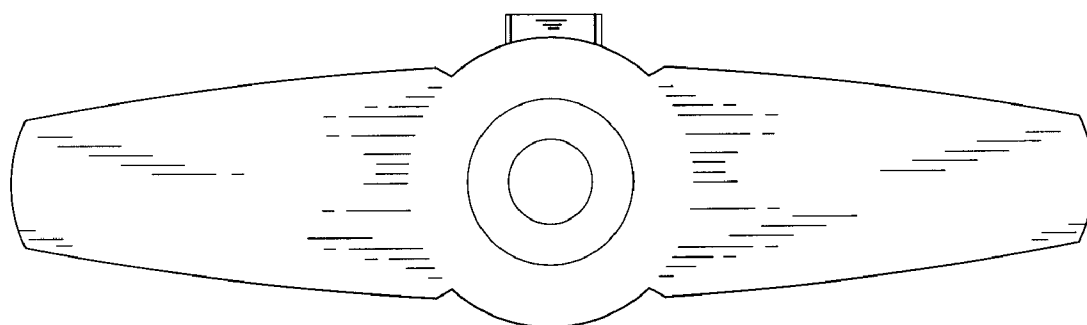


Fig. 4

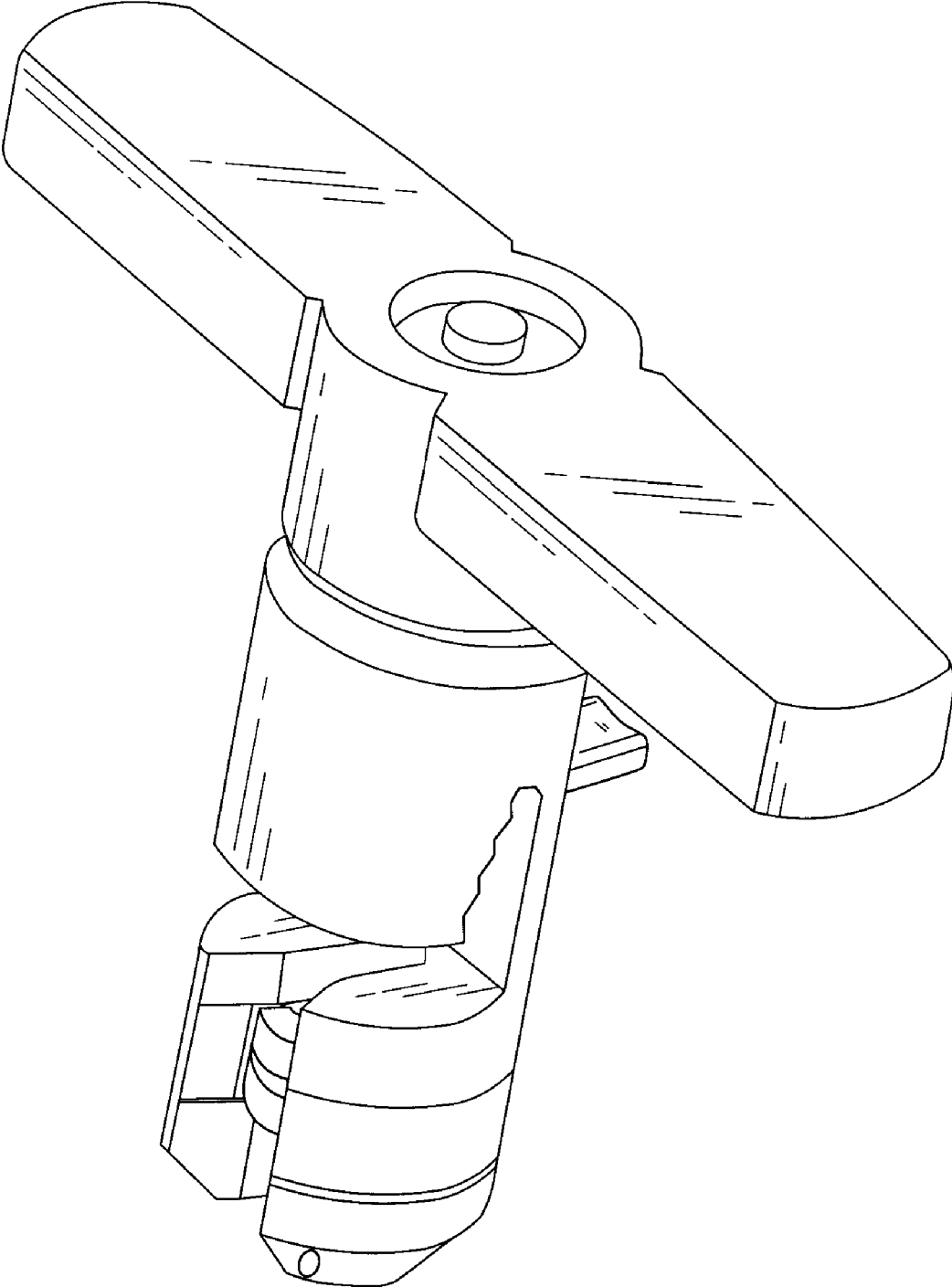


**Fig. 5**





**Fig. 6**



**Fig. 7**