



US00D919628S

(12) **United States Design Patent**
Ma

(10) **Patent No.:** **US D919,628 S**

(45) **Date of Patent:** **** May 18, 2021**

(54) **ADAPTER**

(71) Applicant: **Xiaopei Ma**, Guangdong (CN)

(72) Inventor: **Xiaopei Ma**, Guangdong (CN)

(73) Assignee: **Matrixx Technology Co., Ltd.**,
Guangdong (CN)

(**) Term: **15 Years**

(21) Appl. No.: **29/676,601**

(22) Filed: **Jan. 11, 2019**

(30) **Foreign Application Priority Data**

Oct. 25, 2018 (CN) 201830596116.5

(51) **LOC (13) Cl.** **14-02**

(52) **U.S. Cl.**

USPC **D14/433**; D14/357; D14/434

(58) **Field of Classification Search**

USPC D13/101, 107, 108, 110, 118, 120, 123,
D13/133, 146, 147, 154, 184, 199;

D14/155, 188, 217, 223, 240, 242, 357,
D14/385, 432-438, 435.1, 496

CPC H01R 25/006; H01R 27/02; H01R 31/005;
G06F 13/4022; G06F 13/382; G06F
1/1632; G06F 1/1684; G06F 1/20; G06F
1/1607

See application file for complete search history.

(56) **References Cited**

U.S. PATENT DOCUMENTS

D507,261 S *	7/2005	Griffin	D14/226
D586,295 S *	2/2009	Zhao	D13/133
D619,570 S *	7/2010	Tong	D13/133
D750,083 S *	2/2016	Chow	D14/434
D800,730 S *	10/2017	Liao	D14/433
D807,290 S *	1/2018	Liao	D13/110
D830,366 S *	10/2018	Turksu	D14/433
D844,560 S *	4/2019	Miller	D13/108

D854,019 S *	7/2019	Liao	D14/434
D854,544 S *	7/2019	Liao	D14/434
D855,054 S *	7/2019	Turksu	D14/433
D855,616 S *	8/2019	Chin	D14/433
D856,278 S *	8/2019	Turksu	D13/108
D864,205 S *	10/2019	Wang	D14/433
D864,208 S *	10/2019	Duan	D14/433
D864,964 S *	10/2019	Lyu	D14/433
D864,966 S *	10/2019	Sang	D14/434
D864,967 S *	10/2019	Liu	D14/434
D866,557 S *	11/2019	Xiong	D14/433
D869,467 S *	12/2019	Lin	D14/434

OTHER PUBLICATIONS

Amazon. Flujo iMac HUB USB C Adapter, Aluminum Clamp USB HUB with 4K HDMI, USB-C Data Port, 2 USB 3.0, Micro/SD Card Reader, 3.5mm Audio Adapter—Compatible with iMac Pro and iMac 2017 & Later (Space Gray). Nov. 20, 2019. <https://www.amazon.com/Flujo-Adapter-Aluminum-Adapter-Compatible/dp/B081SR51V6> (Year: 2019).*

* cited by examiner

Primary Examiner — Darcy E Gottschalk

(57) **CLAIM**

The ornamental design for an adapter, as shown and described.

DESCRIPTION

FIG. 1 is a perspective view of an adapter showing my new design;

FIG. 2 is a front elevation view thereof;

FIG. 3 is a rear elevation view thereof;

FIG. 4 is a left side elevation view thereof;

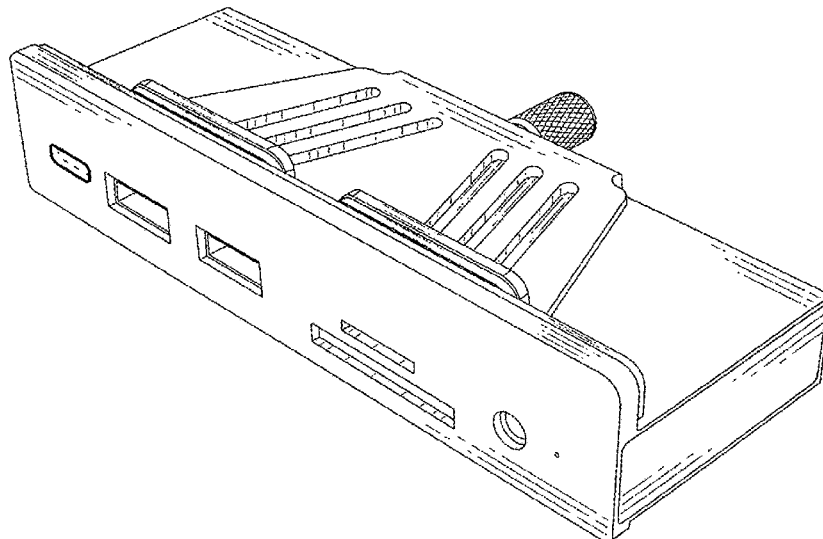
FIG. 5 is a right side elevation view thereof;

FIG. 6 is a top plan view thereof; and,

FIG. 7 is a bottom plan view thereof.

The broken lines depict portions of the adapter that form no part of the claimed design.

1 Claim, 7 Drawing Sheets



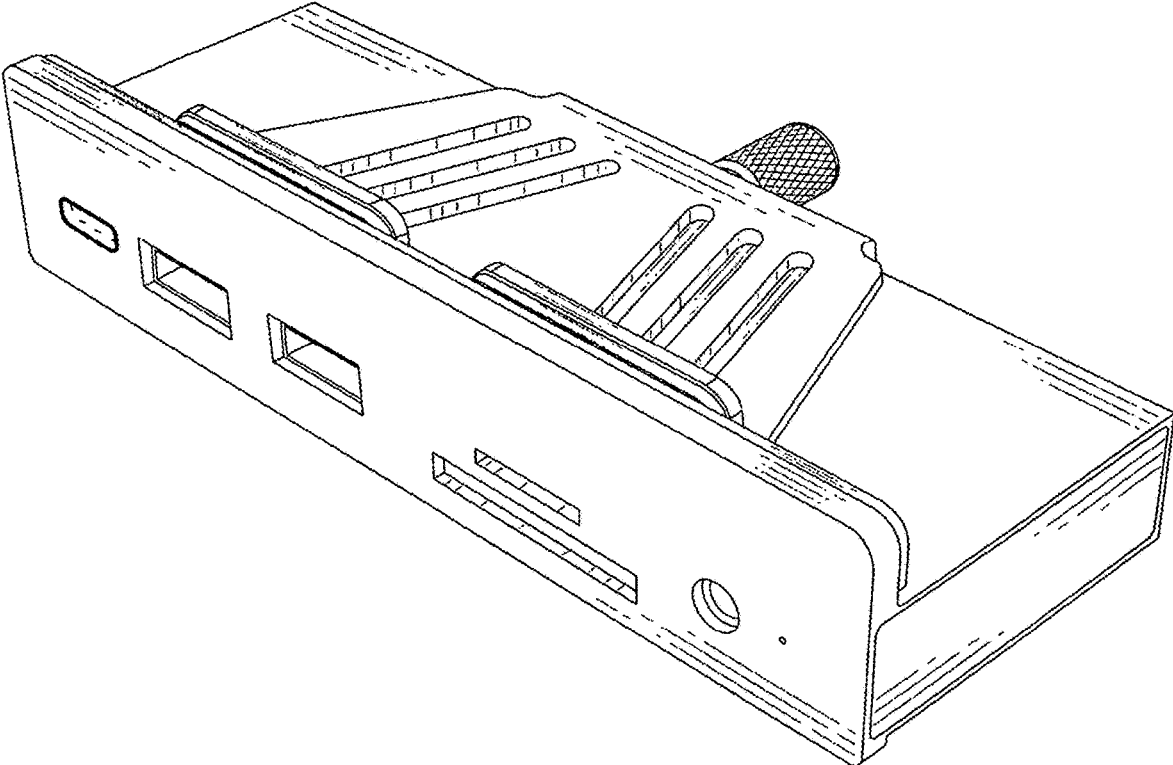


FIG.1

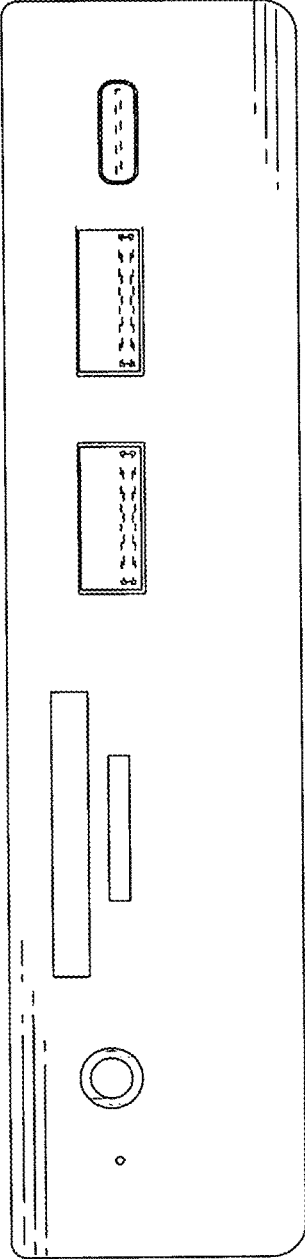


FIG.2

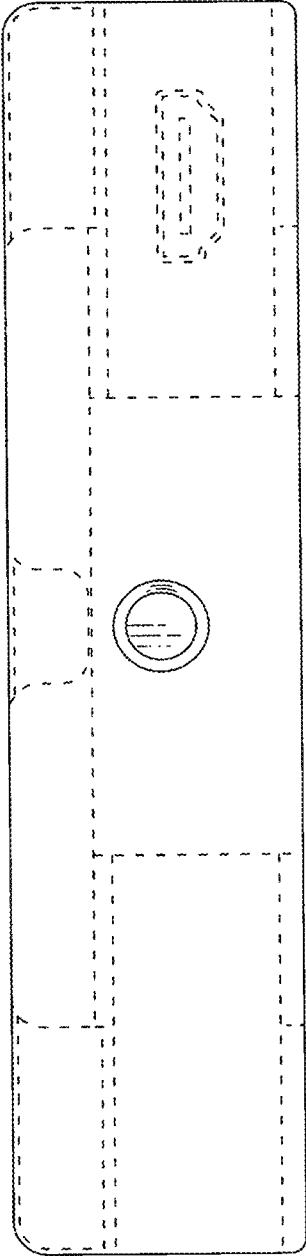


FIG.3

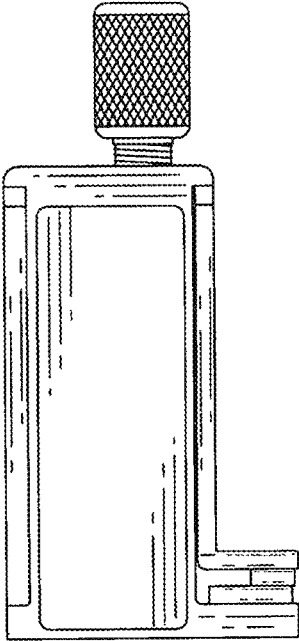


FIG.4

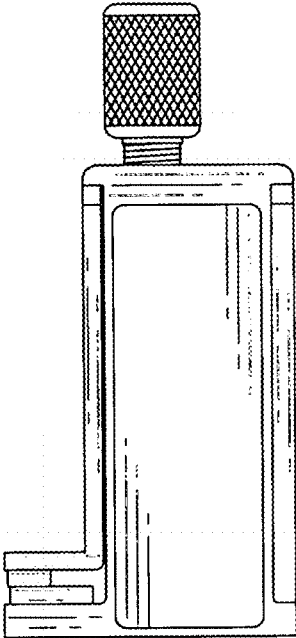


FIG. 5

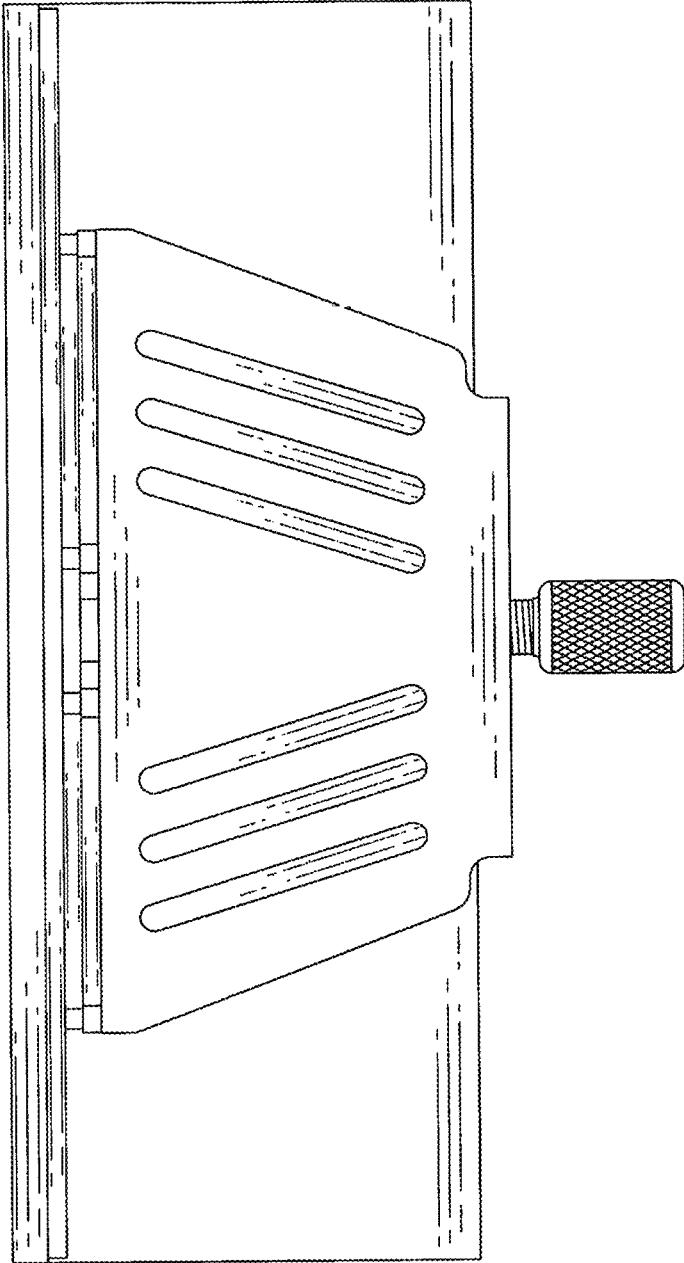


FIG.6

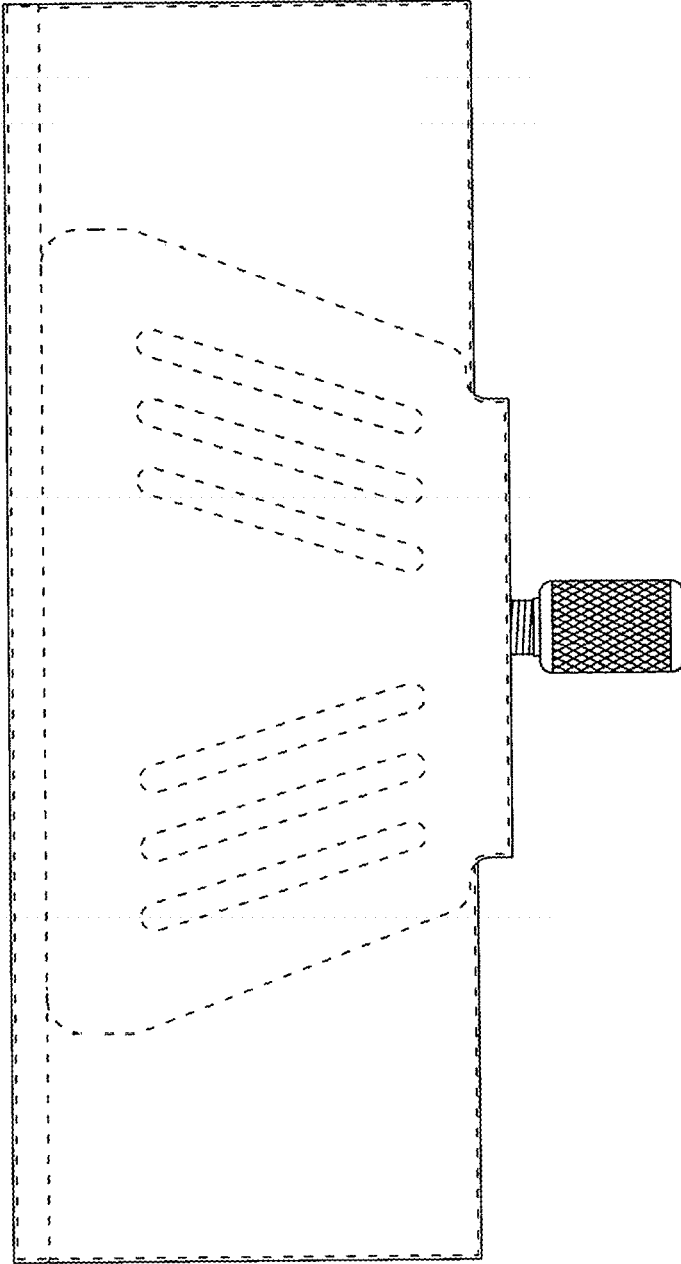


FIG. 7