



(12) **United States Design Patent**
Wu

(10) **Patent No.:** **US D999,731 S**
(45) **Date of Patent:** **** Sep. 26, 2023**

- (54) **POWER BANK**
- (71) Applicant: **Anker Innovations Technology Co. Ltd.**, Changsha (CN)
- (72) Inventor: **Jinguan Wu**, Shenzhen (CN)
- (73) Assignee: **Anker Innovations Technology Co., Ltd.**, Changsha (CN)
- (**) Term: **15 Years**
- (21) Appl. No.: **29/768,824**
- (22) Filed: **Feb. 1, 2021**
- (30) **Foreign Application Priority Data**

2007/0174532 A1* 7/2007 Chen G06F 1/266
710/313
2016/0202743 A1* 7/2016 Li H02M 1/10
710/313
2017/0054314 A1* 2/2017 Tang H02J 7/0045

OTHER PUBLICATIONS

“Instpower”. Found online Feb. 24, 2023 at twitter.com. Reference dated Feb. 4, 2021. Retrieved from <https://twitter.com/instpower/status/1357288088372871170/photo/1>. (Year: 2021).*

“Upoy Charger”. Found online Nov. 1, 2022 at amazon.com. Reference dated Dec. 23, 2020. Retrieved from <https://www.amazon.com/Charger-Upoy-Charging-Adapter-Accessories/dp/B08R73ZJ6P?th=1>. (Year: 2020).*

“Energizer USB Port Hub”. Found online Nov. 9, 2022 at cromman. Reference dated Sep. 25, 2017. Retrieved from https://tineye.com/Search/02a9596e79d75f39ee9632be40b75d553b05dff5?sort=crawl_date&order=asc&page=1. (Year: 2017).*

* cited by examiner

Primary Examiner — Kendra Leslie Hamilton
Assistant Examiner — Amanda Christensen
(74) *Attorney, Agent, or Firm* — Banner & Witcoff, Ltd.

(57) **CLAIM**

The ornamental design for a power bank, as shown and described.

DESCRIPTION

FIG. 1 is a front top perspective view of a power bank showing my new design;
FIG. 2 is a rear bottom perspective view thereof;
FIG. 3 is a front view thereof;
FIG. 4 is a rear view thereof;
FIG. 5 is a left side view thereof;
FIG. 6 is a right side view thereof;
FIG. 7 is a top view thereof; and,
FIG. 8 is a bottom view thereof.
The broken lines depict portions of the power bank that form no part of the claimed design.

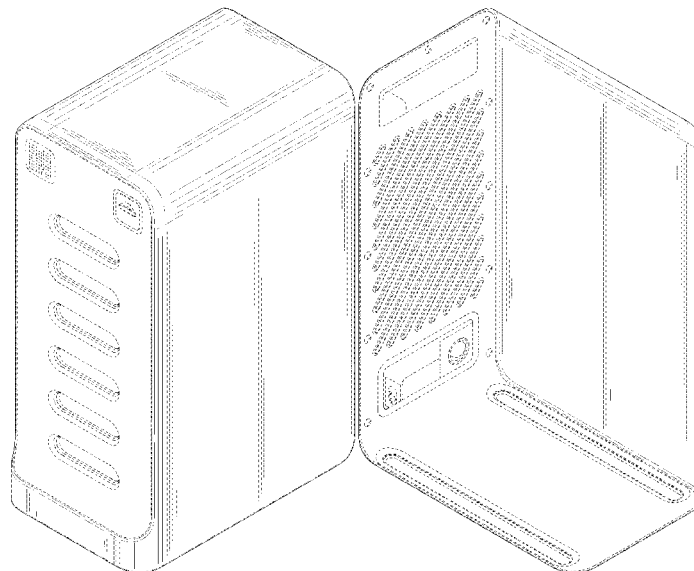
1 Claim, 8 Drawing Sheets

- Aug. 3, 2020 (CN) 202030431611.8
- (51) **LOC (14) Cl.** **13-02**
- (52) **U.S. Cl.**
USPC **D13/108**
- (58) **Field of Classification Search**
USPC D13/103, 107, 108, 118, 119, 184, 199;
D14/251, 252, 432, 433, 434, 439, 447
CPC H02J 7/0044; H02J 7/0045; H04B 1/3877
See application file for complete search history.

(56) **References Cited**

U.S. PATENT DOCUMENTS

D731,420 S *	6/2015	Croft	D13/108
D780,116 S *	2/2017	Bing	D13/107
D790,458 S *	6/2017	He	D13/108
D793,957 S *	8/2017	Acosta Pulgar	D13/108
D799,423 S *	10/2017	Eliyahu	D13/108
D805,030 S *	12/2017	Massar	D13/108
D916,013 S *	4/2021	Clark	D13/108
D929,405 S *	8/2021	Zhang	D14/433
D936,002 S *	11/2021	Guo	D13/108
D936,058 S *	11/2021	Deng	D14/434



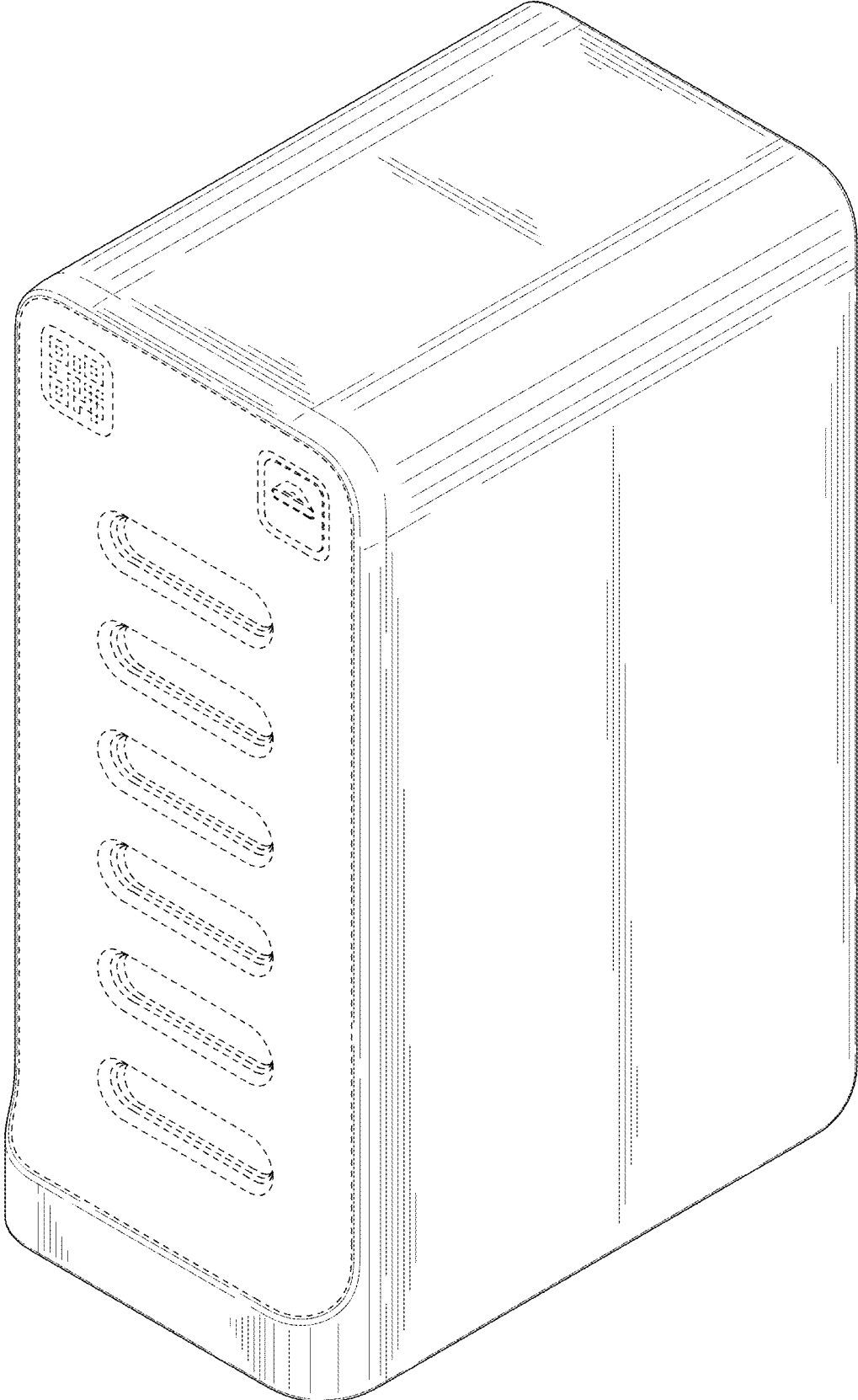


FIG. 1

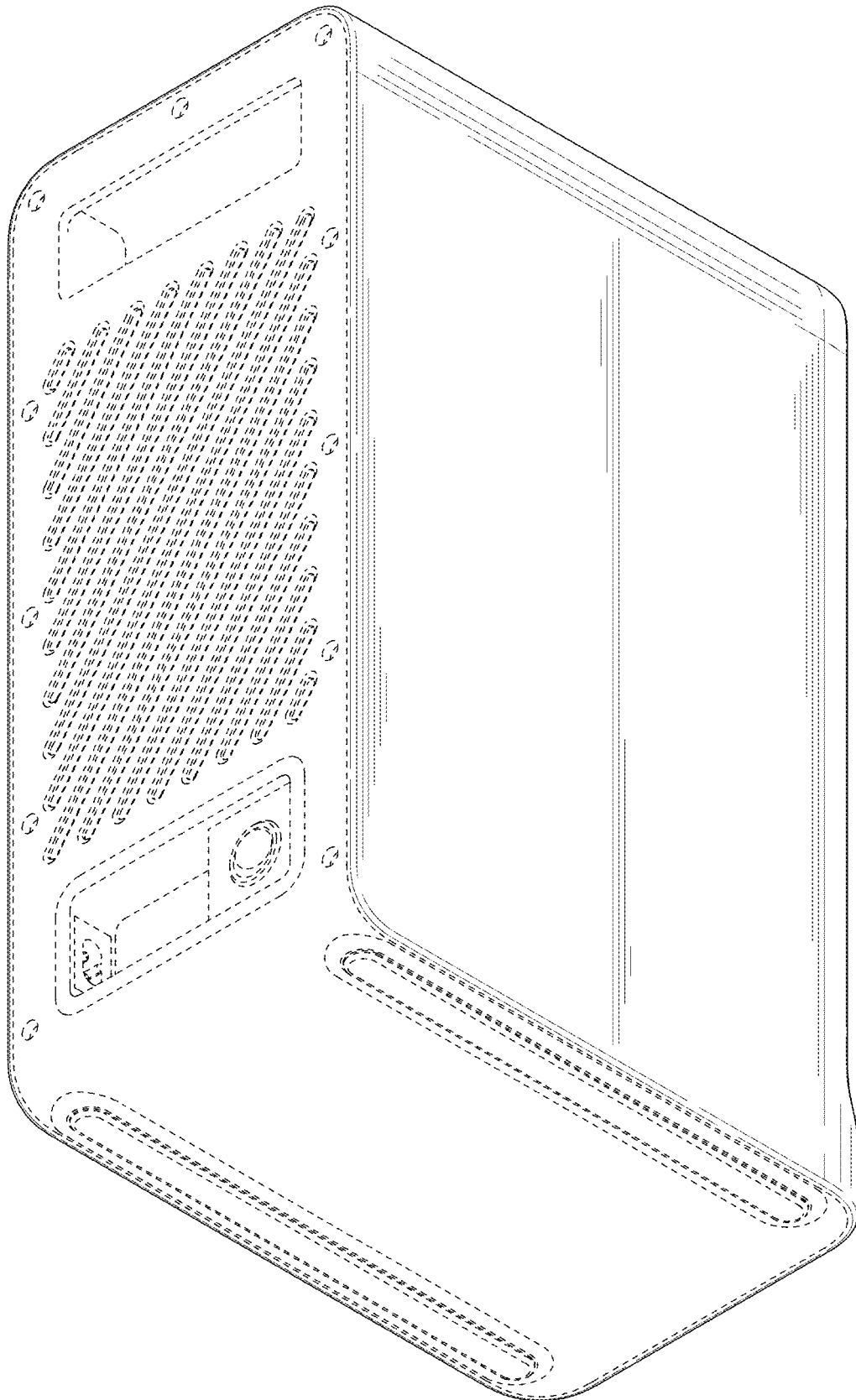


FIG. 2

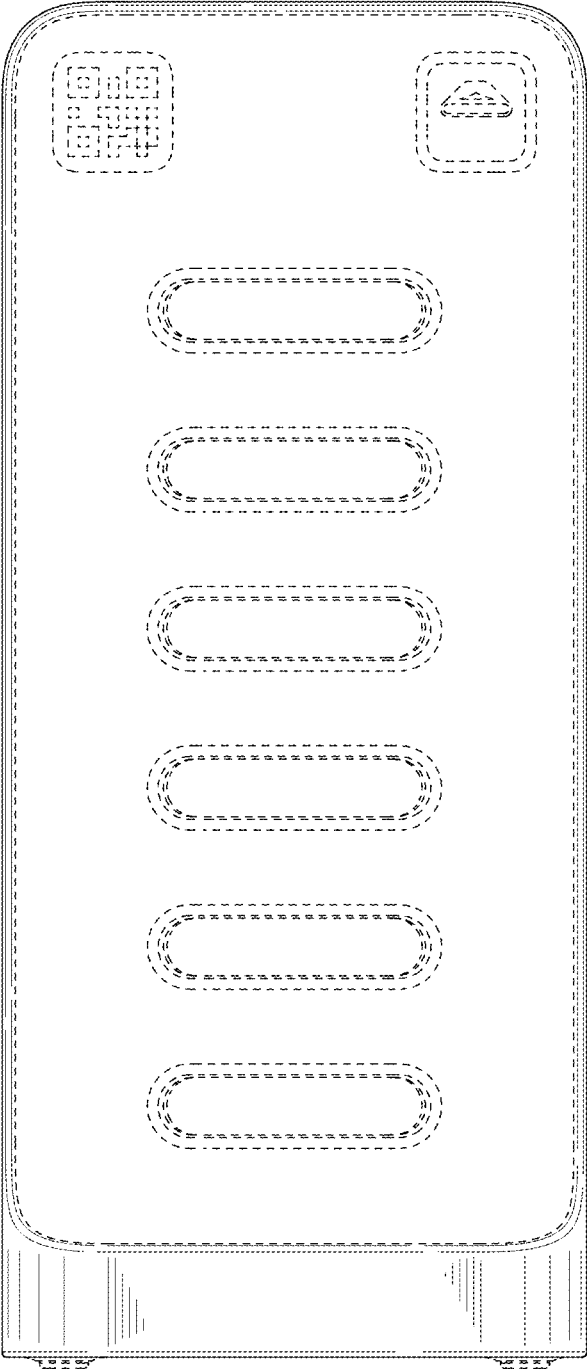


FIG. 3

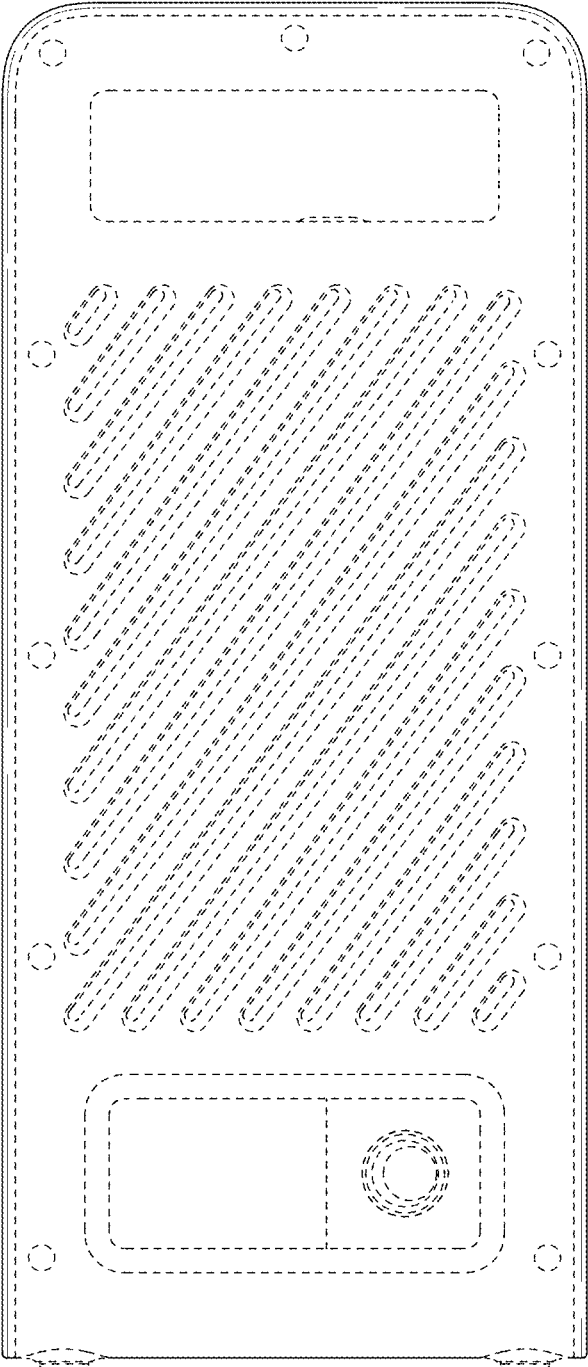


FIG. 4

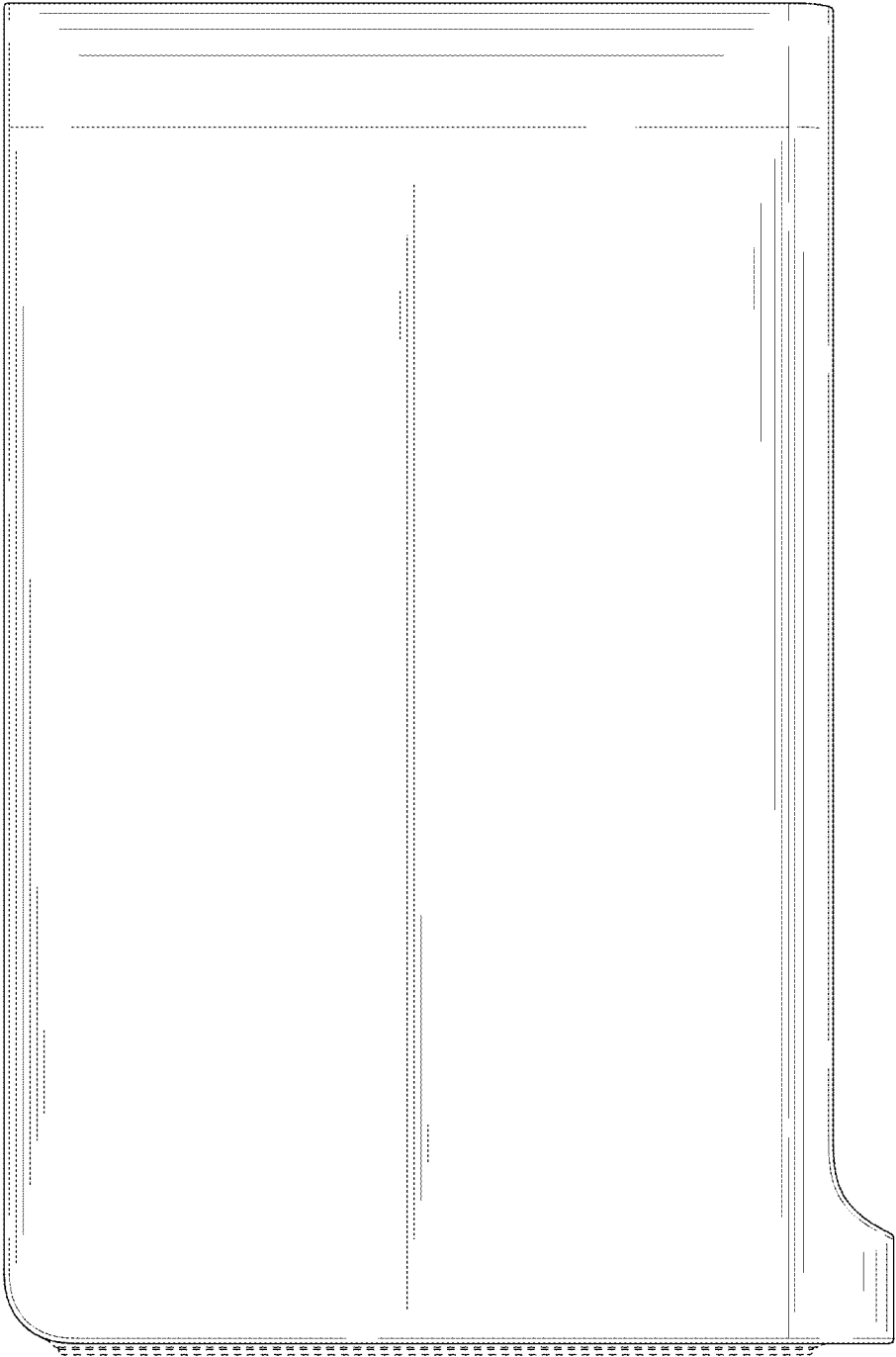


FIG. 5

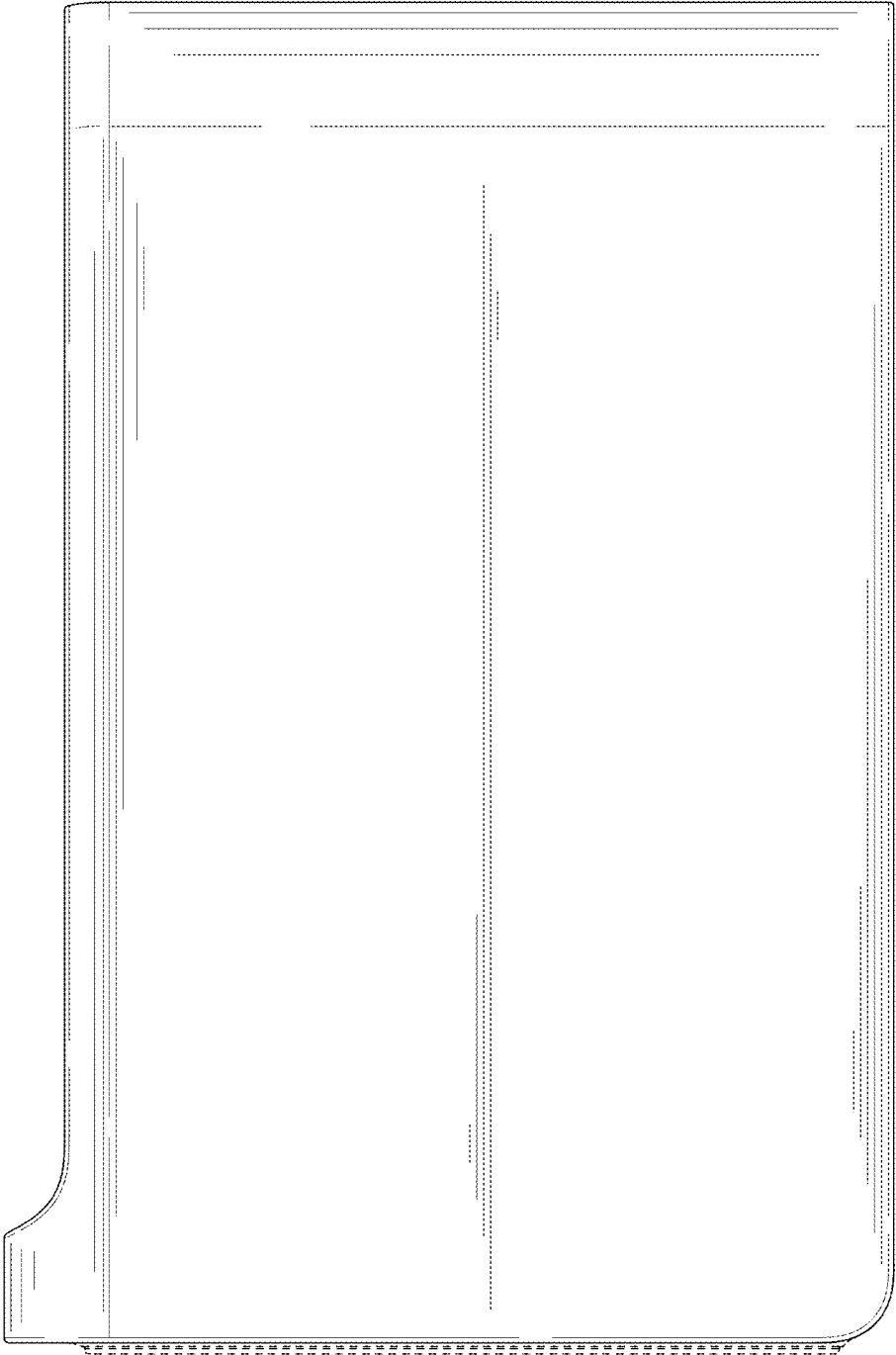


FIG. 6

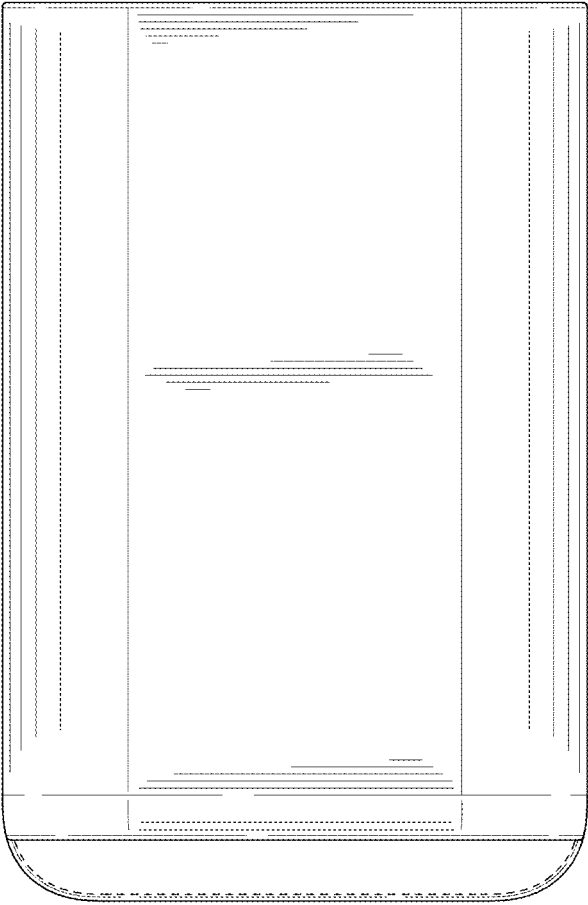


FIG. 7

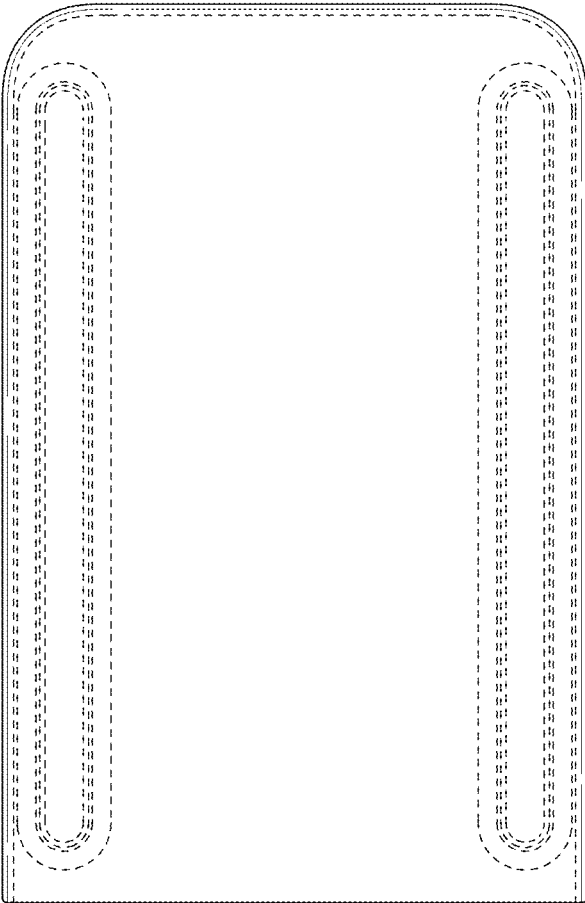


FIG. 8