

(19) World Intellectual Property Organization
International Bureau



(43) International Publication Date
14 August 2003 (14.08.2003)

PCT

(10) International Publication Number
WO 2003/065872 A3

(51) International Patent Classification⁷: A61M 29/00

CZ, DE, DK, DM, DZ, EC, EE, ES, FI, GB, GD, GE, GH, GM, HR, HU, ID, IL, IN, IS, JP, KE, KG, KP, KR, KZ, LC, LK, LR, LS, LT, LU, LV, MA, MD, MG, MK, MN, MW, MX, MZ, NO, NZ, OM, PH, PL, PT, RO, RU, SD, SE, SG, SK, SL, TJ, TM, TN, TR, TT, TZ, UA, UG, UZ, VN, YU, ZA, ZM, ZW.

(21) International Application Number:
PCT/US2003/002755

(22) International Filing Date: 31 January 2003 (31.01.2003)

(25) Filing Language: English

(84) Designated States (regional): ARIPO patent (GH, GM, KE, LS, MW, MZ, SD, SL, SZ, TZ, UG, ZM, ZW), Eurasian patent (AM, AZ, BY, KG, KZ, MD, RU, TJ, TM), European patent (AT, BE, BG, CH, CY, CZ, DE, DK, EE, ES, FI, FR, GB, GR, HU, IE, IT, LU, MC, NL, PT, SE, SI, SK, TR), OAPI patent (BF, BJ, CF, CG, CI, CM, GA, GN, GQ, GW, ML, MR, NE, SN, TD, TG).

(26) Publication Language: English

(30) Priority Data:
60/353,305 1 February 2002 (01.02.2002) US

(71) Applicant and

Published:
— with international search report

(72) Inventor: GOLDMAN, Robert, J. [US/US]; 917 Pratumkhs Way, San Jose, CA 95120 (US).

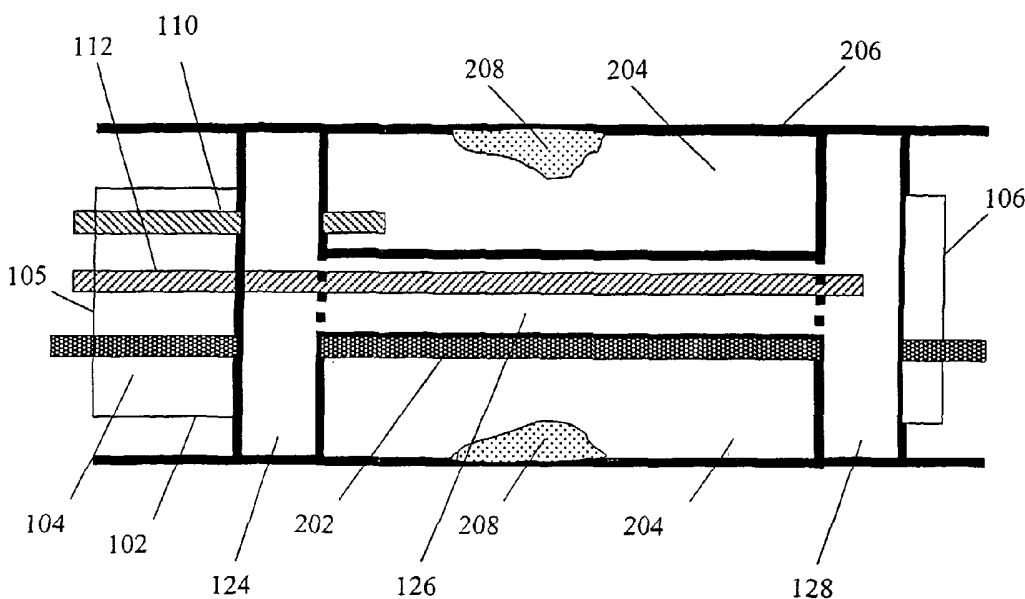
(74) Agents: FREI, Frederick, S. DORSEY & WHITNEY LLP et al.; 1001 Pennsylvania Avenue, N.W., Suite 400 South, Washington, D.C. 20004 (US).

(88) Date of publication of the international search report:
26 February 2004

(81) Designated States (national): AE, AG, AL, AM, AT, AU, AZ, BA, BB, BG, BR, BY, BZ, CA, CH, CN, CO, CR, CU,

For two-letter codes and other abbreviations, refer to the "Guidance Notes on Codes and Abbreviations" appearing at the beginning of each regular issue of the PCT Gazette.

(54) Title: MULTI-FUNCTION CATHETER AND USE THEREOF



(57) Abstract: A multi-function catheter assembly (100) for treating arterial plaques comprises a flexible tubular catheter body (102), an inflatable balloon assembly (108), at least one fluid delivery conduit (110) formed on the catheter body to permit the delivery of an agent into a chamber (204) between the balloon and a vessel wall, and a least one balloon control conduit (112) formed within the catheter body. Then balloon, when inflated to a first stage inside a vessel at the treatment site, defines a chamber (204) and a second stage to install a stent in the space that is vacated by the plaque. The multi-function catheter may also be used for sealing off aneurysms, dilating vessel passages, and treating tumors and trauma.

WO 2003/065872 A3

INTERNATIONAL SEARCH REPORT

International application No.

PCT/US03/02755

A. CLASSIFICATION OF SUBJECT MATTER		
IPC(7) : A61M 29/00 US CL : 604/96,53,282		
According to International Patent Classification (IPC) or to both national classification and IPC		
B. FIELDS SEARCHED		
Minimum documentation searched (classification system followed by classification symbols) U.S. : 604/96,53,282; 606/108; 623/1.42		
Documentation searched other than minimum documentation to the extent that such documents are included in the fields searched None		
Electronic data base consulted during the international search (name of data base and, where practicable, search terms used) EAST- balloon same infusion same drug same stent		
C. DOCUMENTS CONSIDERED TO BE RELEVANT		
Category *	Citation of document, with indication, where appropriate, of the relevant passages	Relevant to claim No.
x	US 5,569,197 A (Helmus et al.) 29 October 1996, see figures 8-13	1-3, 5, 9, 10
<input type="checkbox"/> Further documents are listed in the continuation of Box C. <input type="checkbox"/> See patent family annex.		
* Special categories of cited documents:		
"A"	document defining the general state of the art which is not considered to be of particular relevance	"T" later document published after the international filing date or priority date and not in conflict with the application but cited to understand the principle or theory underlying the invention
"E"	earlier application or patent published on or after the international filing date	"X" document of particular relevance; the claimed invention cannot be considered novel or cannot be considered to involve an inventive step when the document is taken alone
"L"	document which may throw doubts on priority claim(s) or which is cited to establish the publication date of another citation or other special reason (as specified)	"Y" document of particular relevance; the claimed invention cannot be considered to involve an inventive step when the document is combined with one or more other such documents, such combination being obvious to a person skilled in the art
"O"	document referring to an oral disclosure, use, exhibition or other means	"&" document member of the same patent family
"P"	document published prior to the international filing date but later than the priority date claimed	
Date of the actual completion of the international search 09 October 2003 (09.10.2003)		Date of mailing of the international search report 30 OCT 2003
Name and mailing address of the ISA/US Mail Stop PCT, Attn: ISA/US Commissioner for Patents P.O. Box 1450 Alexandria, Virginia 22313-1450 Facsimile No. (703)305-3230		Authorized officer (Jackie) Tan-Uyen T. Ho Telephone No. (703) 308-0858