



US00D503422S

(12) **United States Design Patent**
Canavan et al.

(10) **Patent No.:** **US D503,422 S**
(45) **Date of Patent:** **** Mar. 29, 2005**

(54) **SILICONE GOGGLE**
(75) Inventors: **Richard W. Canavan**, Woodstock, CT (US); **Raymond Curci**, Smithfield, RI (US); **Laurent Froissard**, Cranston, RI (US); **Philip M. Johnson**, Charlton, MA (US); **Erica L. Osley**, Coventry, RI (US)

(73) Assignee: **Bacou-Dalloz Eye & Face Protection, Inc.**, Smithfield, RI (US)

(**) Term: **14 Years**

(21) Appl. No.: **29/192,755**

(22) Filed: **Oct. 29, 2003**

(51) **LOC (7) Cl.** **16-06**
(52) **U.S. Cl.** **D16/312; D16/101**
(58) **Field of Search** **D16/101, 300-330; D29/109-110; D24/110.2; 351/41, 44, 51, 52, 158; 2/426, 428-430, 432, 436, 439, 441, 443, 448, 447, 452**

(56) **References Cited**

U.S. PATENT DOCUMENTS

4,447,914 A	*	5/1984	Jannard	2/432
4,689,838 A	*	9/1987	Angermann et al.	2/441
4,707,863 A		11/1987	McNeal		
4,977,627 A		12/1990	Metcalfe et al.		
5,216,759 A		6/1993	Hewitt et al.		
5,363,512 A	*	11/1994	Grabos et al.	2/436
5,495,623 A		3/1996	Leonardi		
5,542,130 A		8/1996	Grabos, Jr. et al.		
D375,317 S	*	11/1996	Canavan	D16/101
D375,320 S		11/1996	Canavan		

5,617,588 A		4/1997	Canavan et al.		
D391,284 S	*	2/1998	Hermansen et al.	D16/312
5,771,499 A		6/1998	Monaco et al.		
5,802,622 A		9/1998	Baharad et al.		
6,138,286 A		10/2000	Robrahn et al.		
6,253,387 B1		7/2001	Yu		
6,276,795 B1		8/2001	Hall et al.		
6,282,727 B1		9/2001	Lindahl		
6,718,561 B2	*	4/2004	Dondero	2/436
6,789,273 B2	*	9/2004	Markovitz	2/452
2001/0029623 A1		10/2001	Tsubooka		
2002/0166159 A1		11/2002	Kawanishi et al.		
2003/0033661 A1		2/2003	Huh		

* cited by examiner

Primary Examiner—Raphael Barkai

(74) *Attorney, Agent, or Firm*—Salter & Michaelson

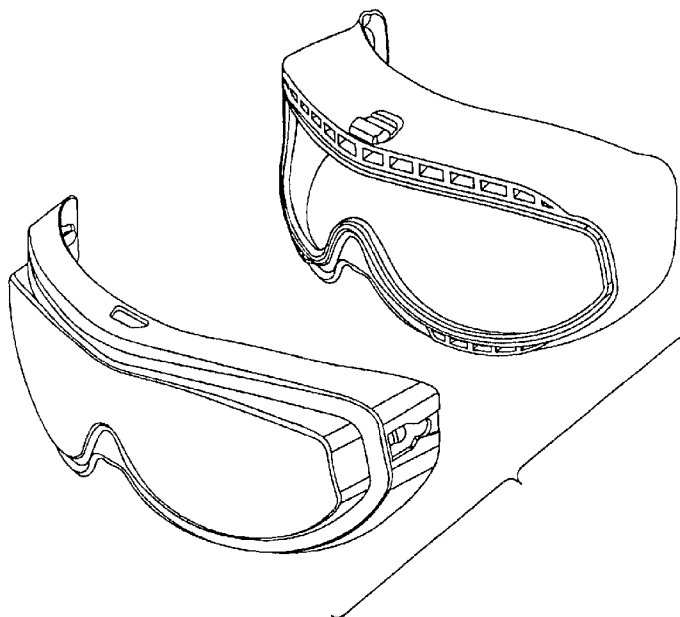
(57) **CLAIM**

The ornamental design for a silicone goggle, as shown and described.

DESCRIPTION

FIG. 1 is an exploded view of a silicone goggle, showing our new design;
FIG. 2 is a perspective view thereof;
FIG. 3 is a front elevational view thereof;
FIG. 4 is a rear elevational view thereof;
FIG. 5 is a top plan view thereof;
FIG. 6 is a bottom plan view thereof;
FIG. 7 is a left side elevational view thereof; and,
FIG. 8 is a right side elevational view thereof.
The portions shown in broken lines are included for illustrative purposes only and form no part of the claimed design.

1 Claim, 5 Drawing Sheets



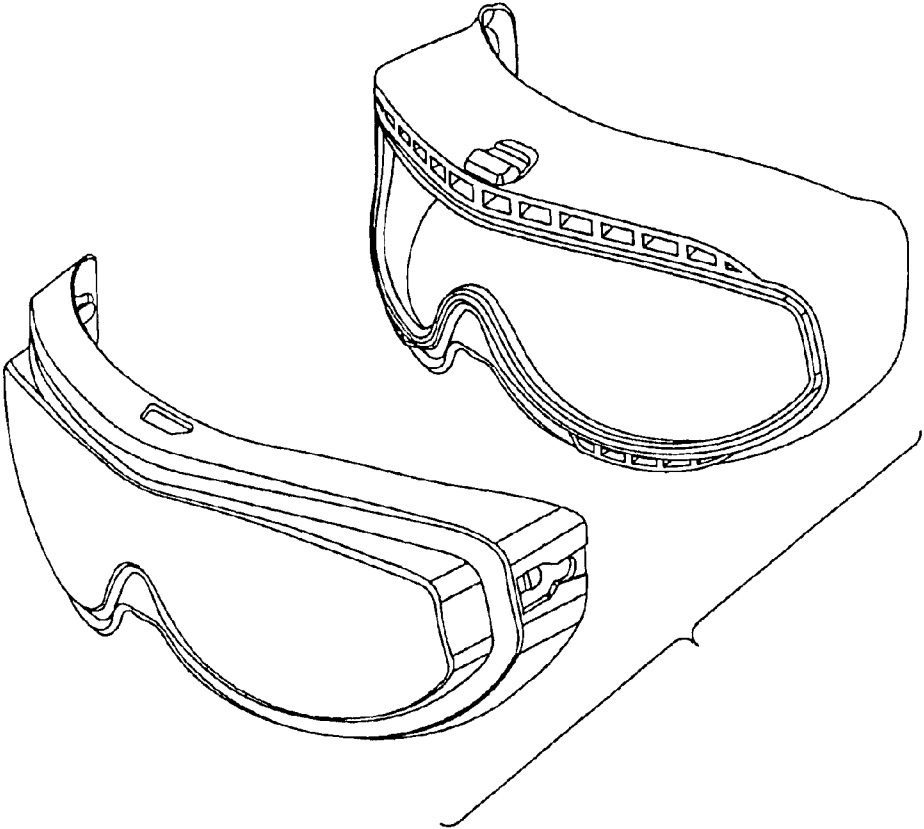


FIG. 1

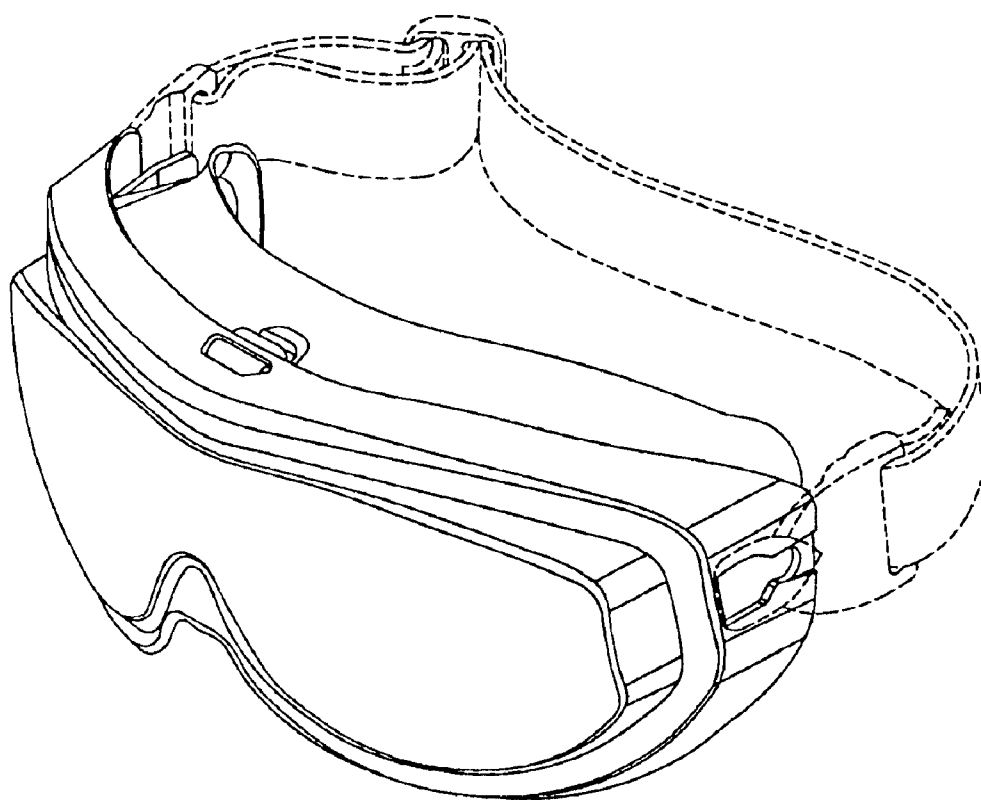


FIG. 2

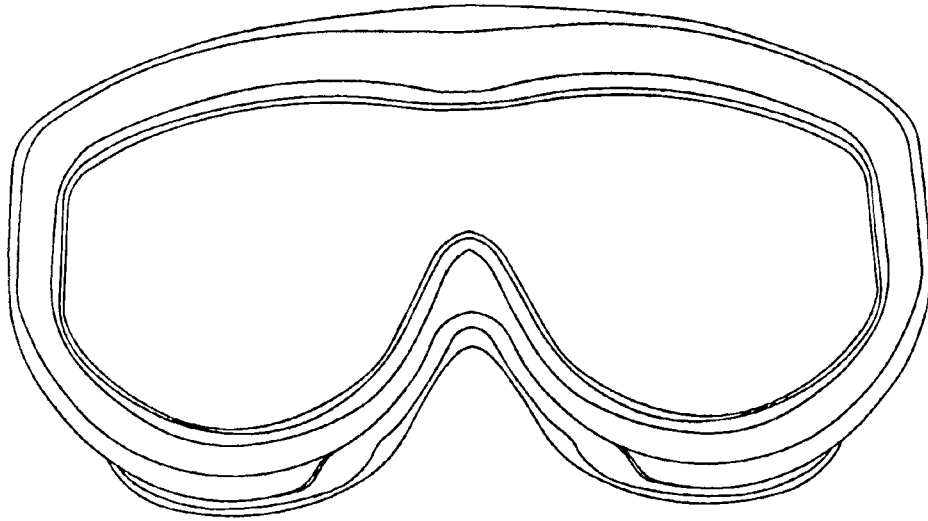


FIG. 3

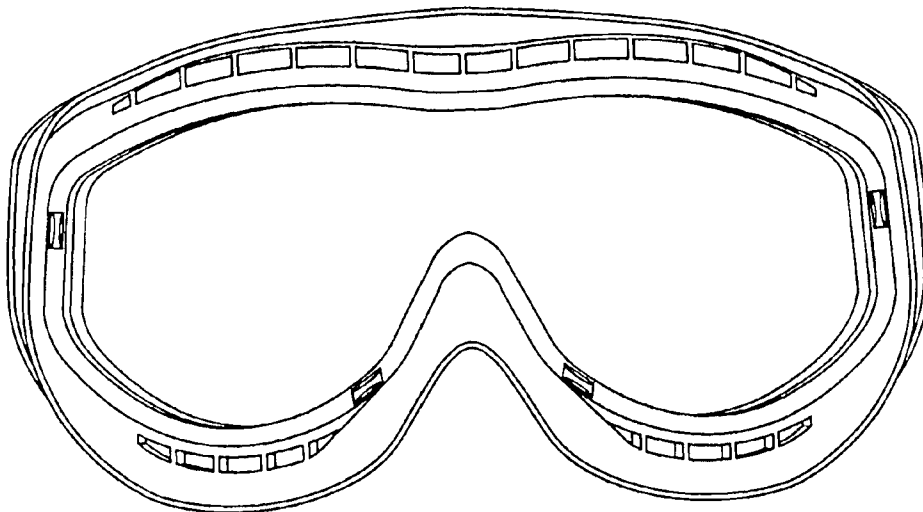


FIG. 4

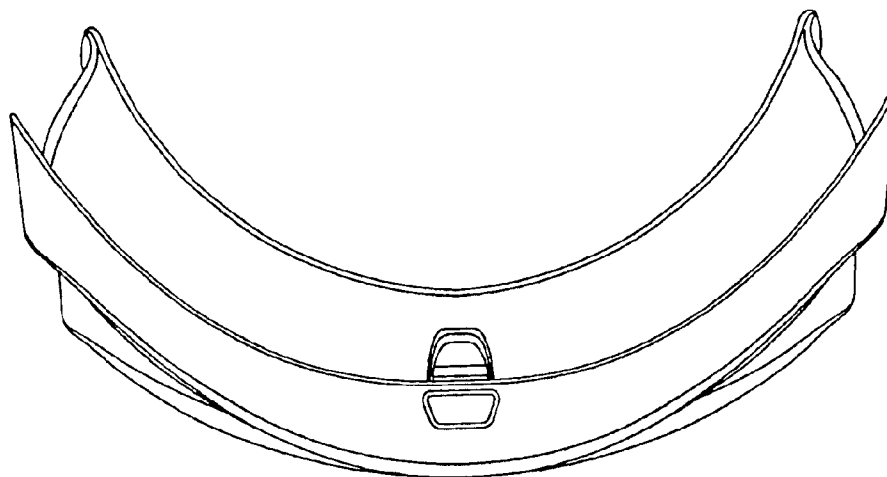


FIG. 5

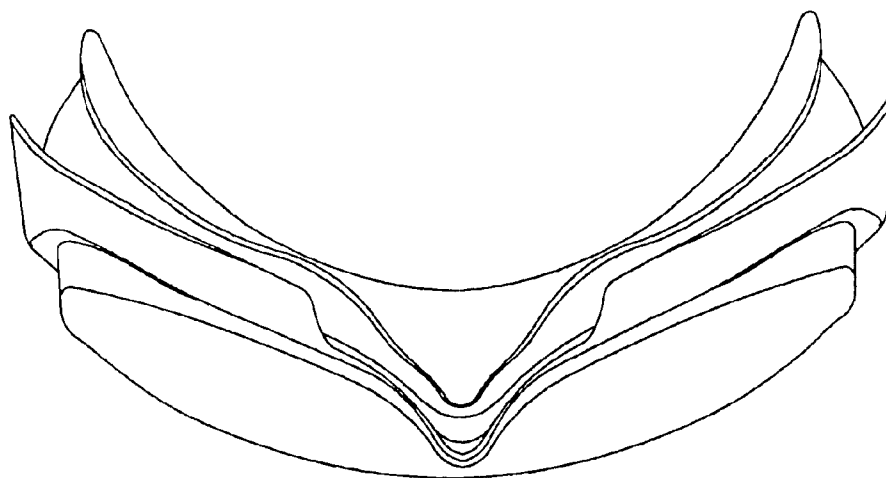


FIG. 6

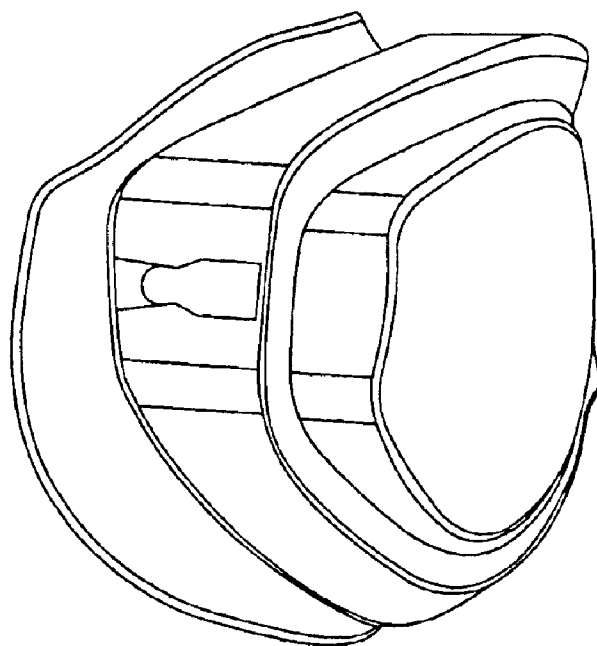


FIG. 7

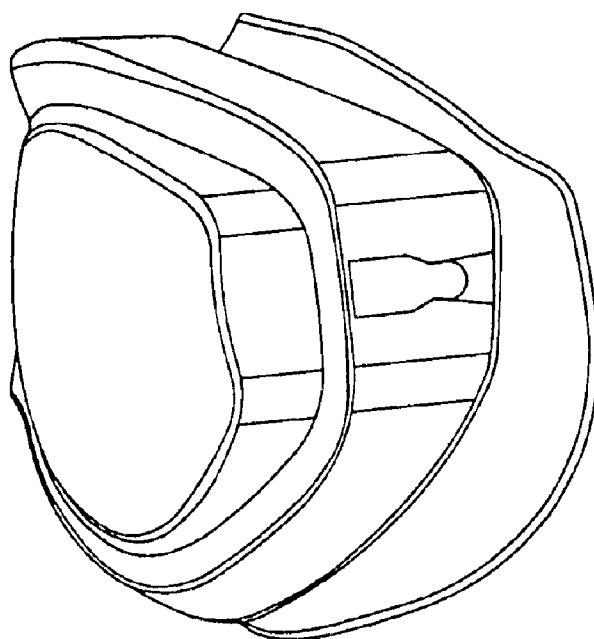


FIG. 8