



(12) **United States Design Patent**
Lambrecht

(10) **Patent No.:** **US D832,792 S**
(45) **Date of Patent:** **** Nov. 6, 2018**

(54) **CONNECTOR INTERFACE FOR A CABLE**

(71) Applicant: **Intuitive Surgical Operations, Inc.**,
Sunnyvale, CA (US)

(72) Inventor: **Bram Gilbert Antoon Lambrecht**,
Redwood City, CA (US)

(73) Assignee: **Intuitive Surgical Operations, Inc.**,
Sunnyvale, CA (US)

(**) Term: **15 Years**

(21) Appl. No.: **29/635,153**

(22) Filed: **Jan. 29, 2018**

D460,049	S	7/2002	McCoy	
D487,724	S	3/2004	Hsiao	
6,702,617	B1	3/2004	Clement et al.	
D488,130	S	4/2004	Hsiao	
D512,378	S	12/2005	Dobler	
6,997,723	B2	2/2006	Lee	
D552,034	S	10/2007	Hobson et al.	
D563,883	S *	3/2008	Dever	D13/147
D563,885	S	3/2008	Dever	
D565,981	S	4/2008	Radecke et al.	
D566,046	S	4/2008	Gabel et al.	
D585,380	S	1/2009	So	
D603,345	S	11/2009	Melzner et al.	
8,162,684	B1 *	4/2012	Sochor	A61N 1/3754 439/289
D684,928	S	6/2013	Kreitzer et al.	

(Continued)

Related U.S. Application Data

(62) Division of application No. 29/571,142, filed on Jul. 14, 2016, now Pat. No. Des. 810,692.

(51) **LOC (11) Cl.** **13-03**

(52) **U.S. Cl.**
USPC **D13/147**

(58) **Field of Classification Search**
USPC D13/133, 146, 147, 154, 184, 199;
D24/127, 129, 231
CPC H01R 12/58; H01R 12/592; H01R 12/616;
H01R 12/777; H01R 12/778; H01R
13/26; H01R 13/28; H01R 13/6315;
H01R 13/6586; H01R 13/6595
See application file for complete search history.

(56) **References Cited**

U.S. PATENT DOCUMENTS

2,175,768	A	10/1939	Anthony
2,249,618	A	7/1941	Perkins
4,284,312	A	8/1981	Patchett et al.
D319,625	S	9/1991	Yasuhiro et al.
5,350,314	A	9/1994	Saba
D460,046	S	7/2002	Wood

OTHER PUBLICATIONS

U.S. Appl. No. 61/721,870, filed Nov. 2, 2012.

(Continued)

Primary Examiner — Daniel Bui
(74) *Attorney, Agent, or Firm* — Jones Robb, PLLC

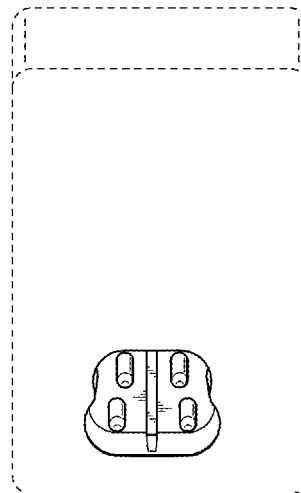
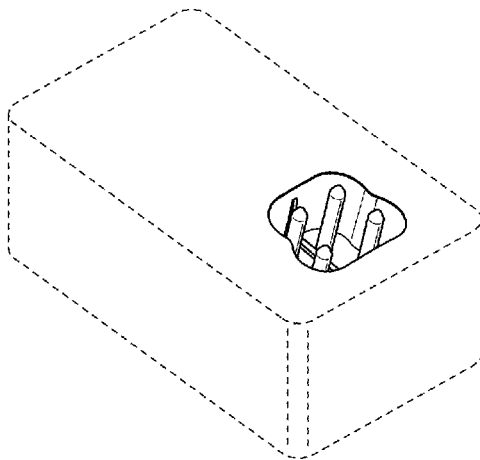
(57) **CLAIM**

The ornamental design for a connector interface for a cable, as shown and described.

DESCRIPTION

FIG. 1 is a top, left side perspective view of a connector interface for a cable of my new design. FIG. 2 is top perspective view thereof. FIG. 3 is a front, top perspective view thereof; and, FIG. 4 is top view thereof. Shade lines in the figures show curvature and not surface ornamentation. Portions of the figures depicted in broken lines form no part of the claimed design. Views that are not depicted show no part of the claimed design.

1 Claim, 1 Drawing Sheet



(56)

References Cited

U.S. PATENT DOCUMENTS

D686,579	S	7/2013	Fujioka	
D690,266	S *	9/2013	Dachs, II	D13/133
D691,091	S *	10/2013	Dachs, II	D13/146
D703,612	S *	4/2014	Dachs, II	D13/146
D810,028	S *	2/2018	Lambrecht	D13/147
D810,692	S *	2/2018	Lambrecht	D13/147
2002/0049004	A1	4/2002	Davis et al.	
2003/0040204	A1	2/2003	Chen et al.	

OTHER PUBLICATIONS

Vertut, Jean and Phillipe Coiffet, Robot Technology: Teleoperation and Robotics Evolution and Development, English translation, Prentice-Hall, Inc., Inglewood Cliffs, NJ, USA 1986, vol. 3A, 332 pages.

* cited by examiner

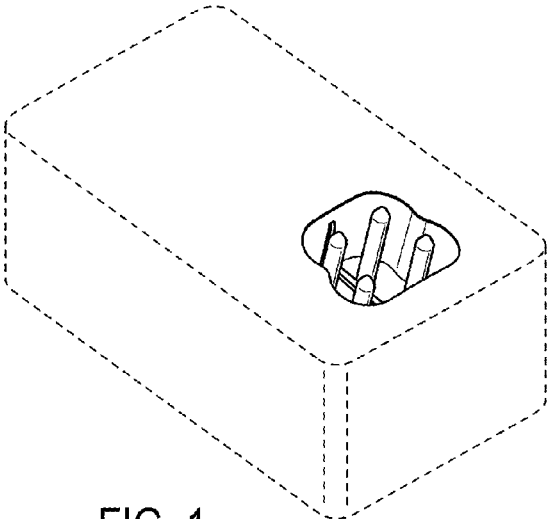


FIG. 1

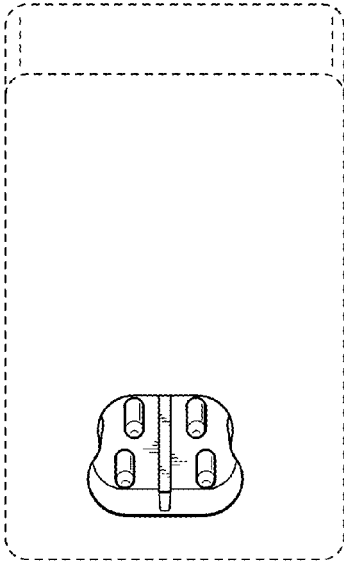


FIG. 2

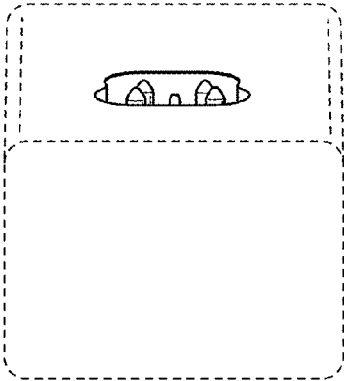


FIG. 3

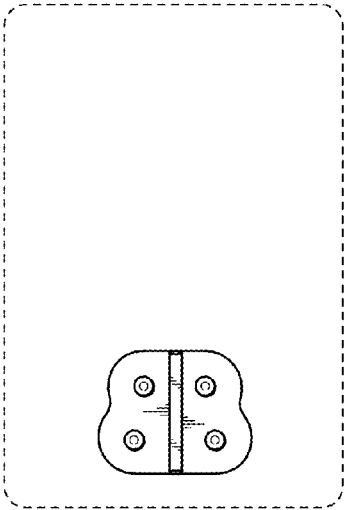


FIG. 4