



US00D786311S

(12) **United States Design Patent**
Okuyama et al.

(10) **Patent No.:** **US D786,311 S**

(45) **Date of Patent:** **** May 9, 2017**

(54) **TRACTOR**

D717,838 S * 11/2014 Kuwae D15/23
D749,144 S * 2/2016 Higashikawa D15/23
D759,128 S * 6/2016 Yang D15/23

(71) Applicant: **YANMAR CO., LTD.**, Osaka-shi,
Osaka (JP)

FOREIGN PATENT DOCUMENTS

(72) Inventors: **Kiyoyuki Okuyama**, Yamagata (JP);
Shinya Kawashiri, Osaka (JP)

CN 303530957 S 12/2015
CN 303530959 S 12/2015

(73) Assignee: **YANMAR CO., LTD.**, Osaka (JP)

* cited by examiner

(**) Term: **15 Years**

Primary Examiner — Ian Simmons
Assistant Examiner — Khawaja Anwar

(21) Appl. No.: **29/533,379**

(74) *Attorney, Agent, or Firm* — Sterne, Kessler,
Goldstein & Fox P.L.L.C.

(22) Filed: **Jul. 16, 2015**

(57) **CLAIM**

(30) **Foreign Application Priority Data**

The ornamental design for a tractor, as shown and described.

Jan. 19, 2015 (JP) D2015-859

DESCRIPTION

(51) **LOC (10) Cl.** **15-07**

FIG. 1 is a front perspective view of a tractor showing our new design;

(52) **U.S. Cl.**

FIG. 2 is a right side view thereof;

USPC **D15/23**

FIG. 3 is a left side view thereof;

(58) **Field of Classification Search**
USPC D15/10, 11, 15, 17, 22, 23, 25, 26, 28,
D15/30

FIG. 4 is a front view thereof;

CPC B62D 49/00; B62D 49/06; B62D 49/0671;
B62D 49/0692; B62D 33/06; B62D
33/0617

FIG. 5 is a rear view thereof;

See application file for complete search history.

FIG. 6 is a top view thereof;

FIG. 7 is a bottom view thereof; and,

FIG. 8 is an enlarged view of a portion of the tractor showing our new design.

(56) **References Cited**

The shade lines in the Figures show contour and not surface ornamentation.

U.S. PATENT DOCUMENTS

The oblique shade lines in the Figures show transparency or translucency.

D438,546 S * 3/2001 Katoh D15/23

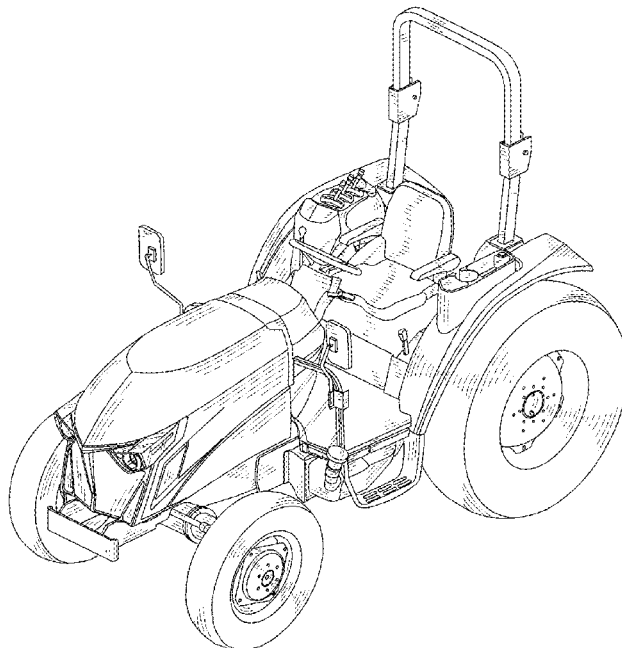
The broken lines in the figures show portions of the tractor that form no part of the claimed design.

D542,308 S * 5/2007 Oka D15/23

D613,313 S * 4/2010 Bhanuprakash D15/23

D710,911 S * 8/2014 Iwata D15/23

1 Claim, 8 Drawing Sheets



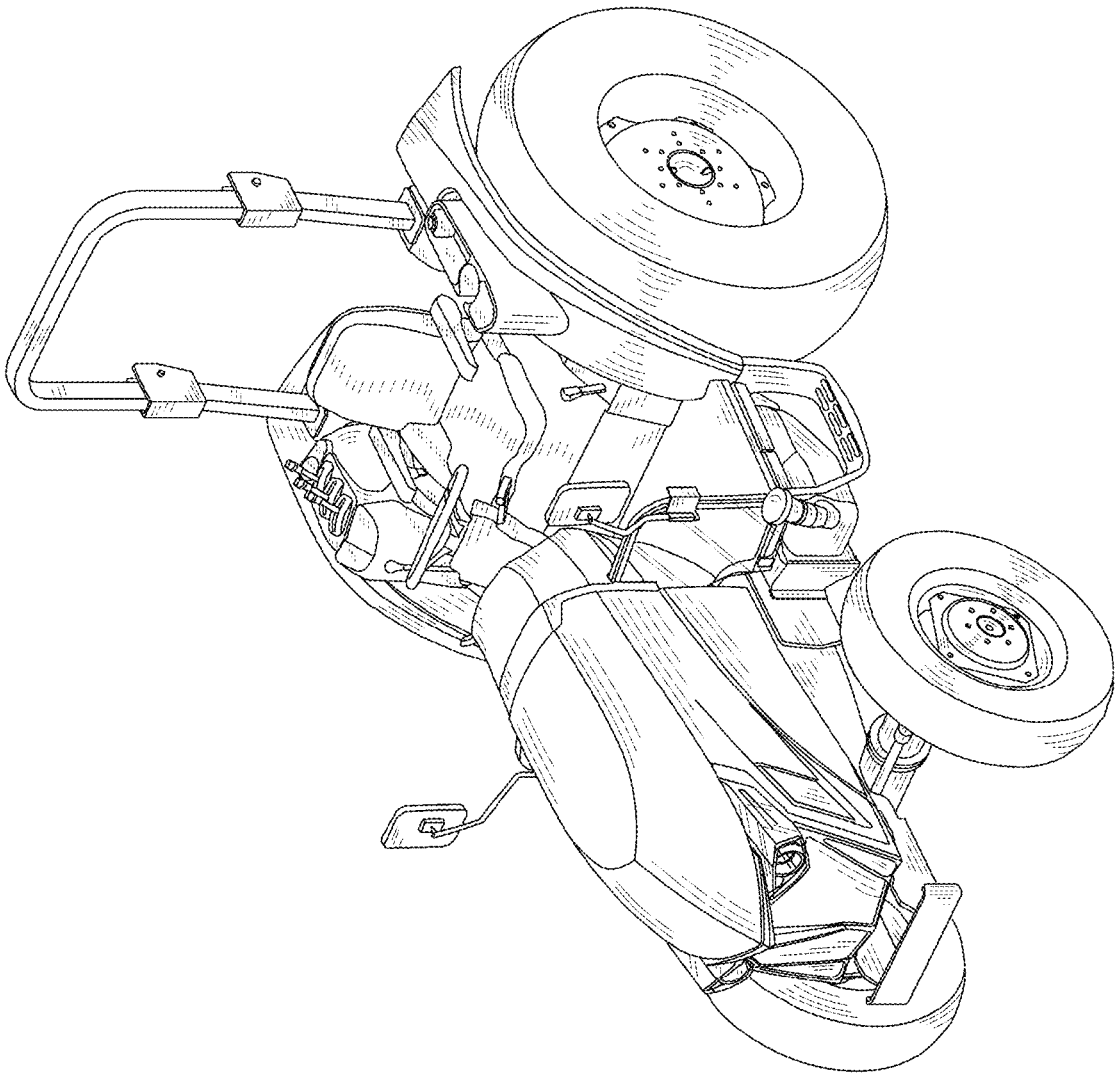


FIG. 1

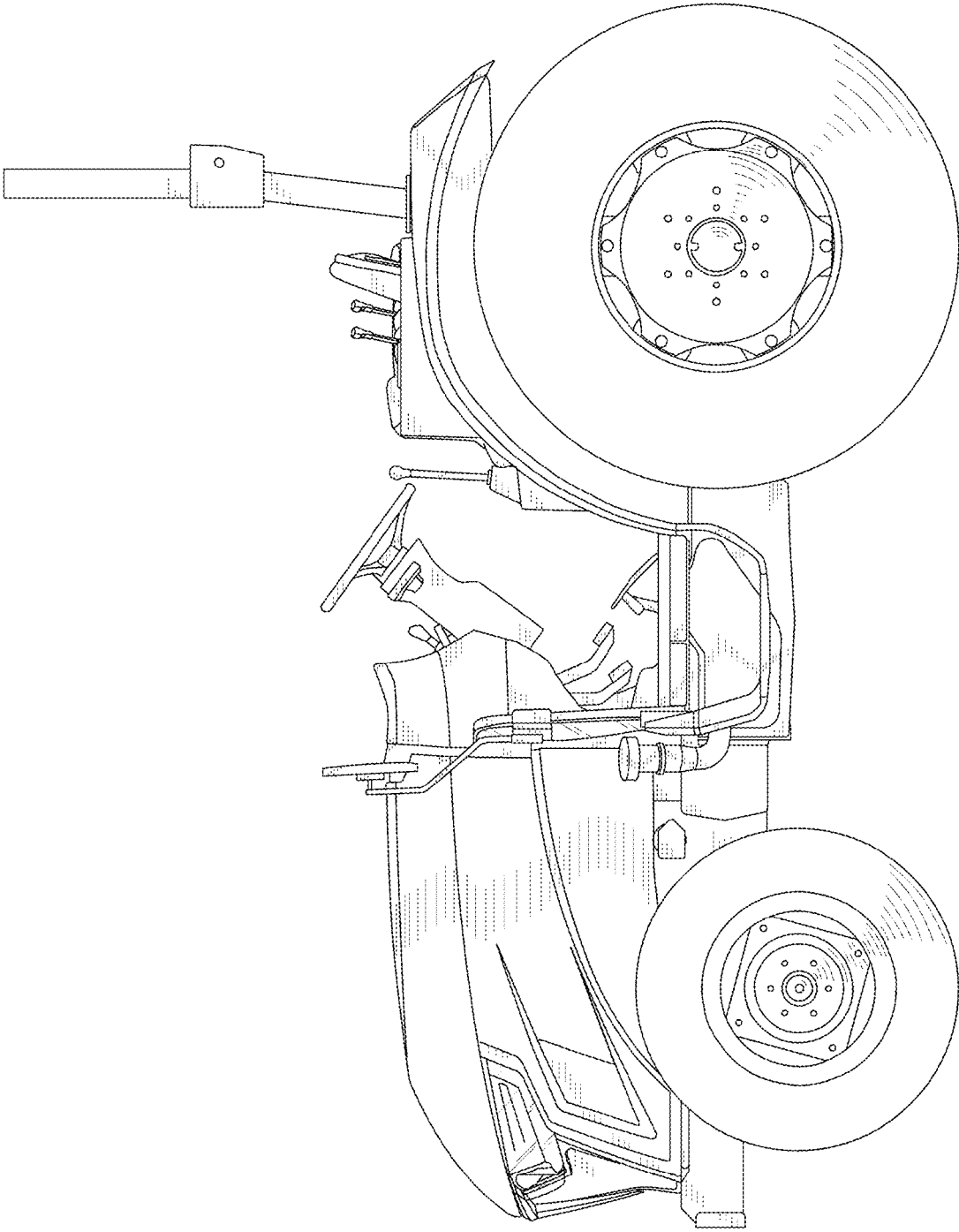


FIG. 2

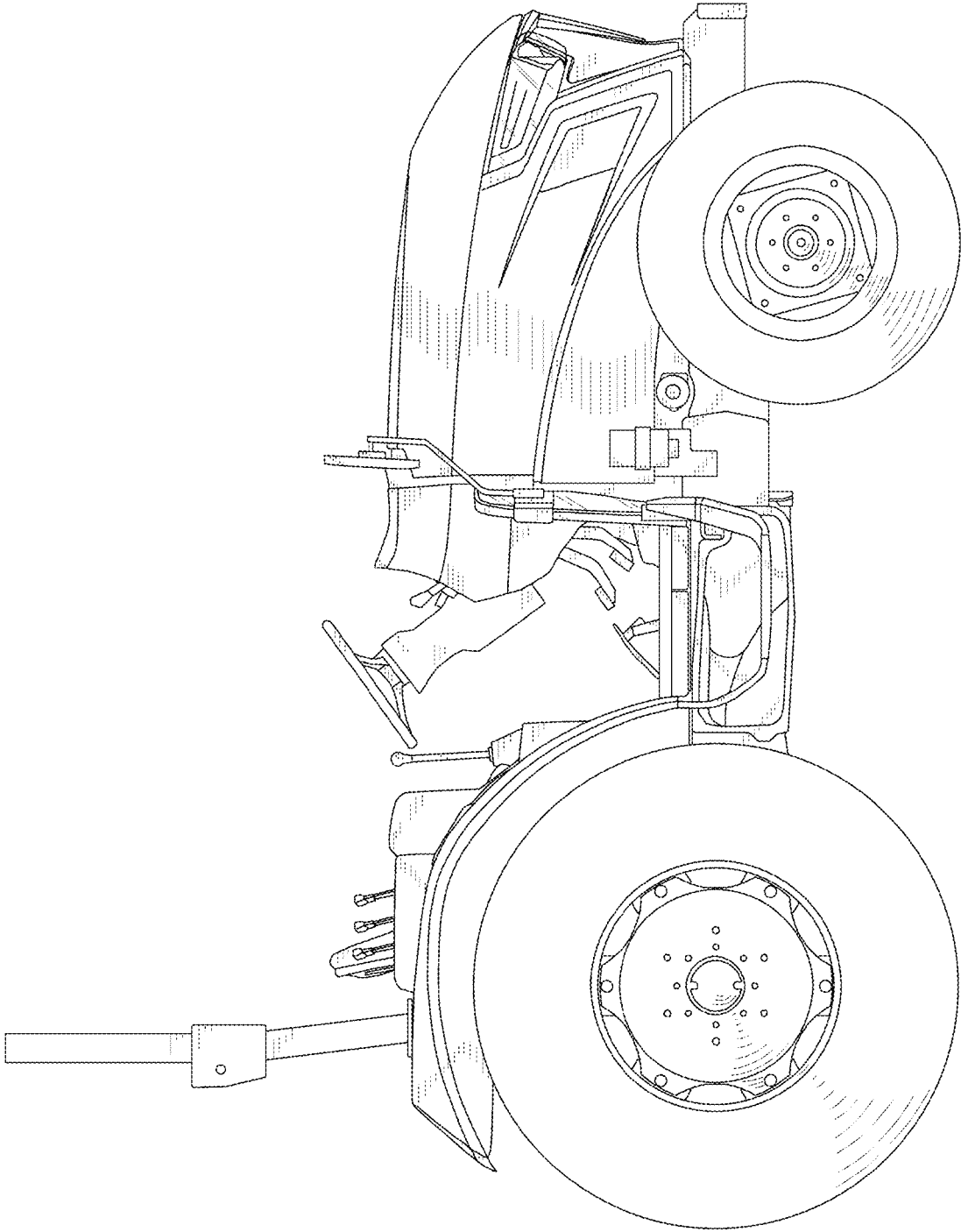


FIG. 3

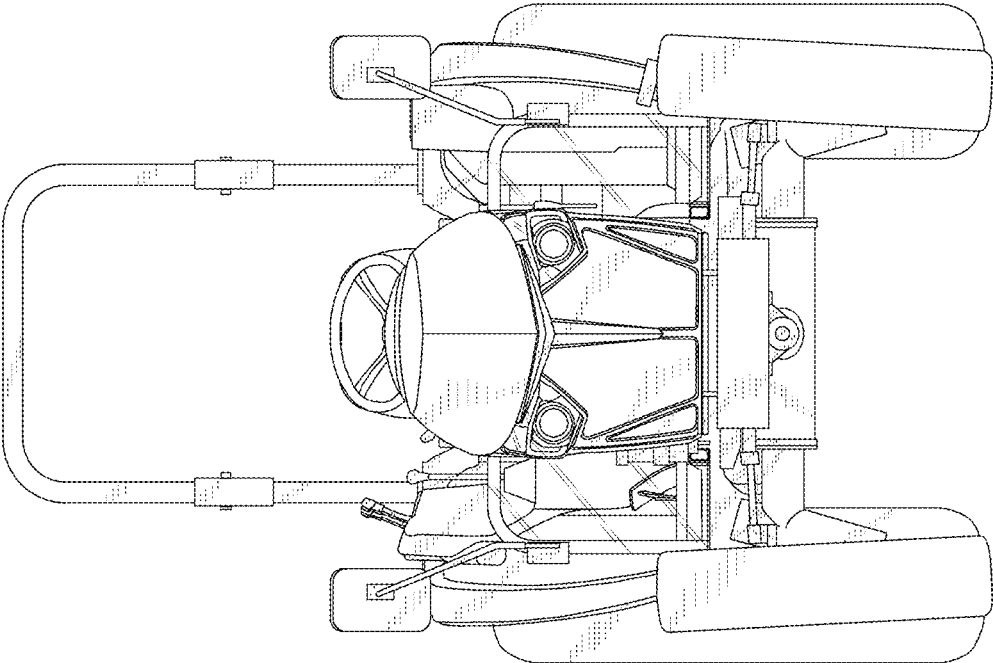


FIG. 4

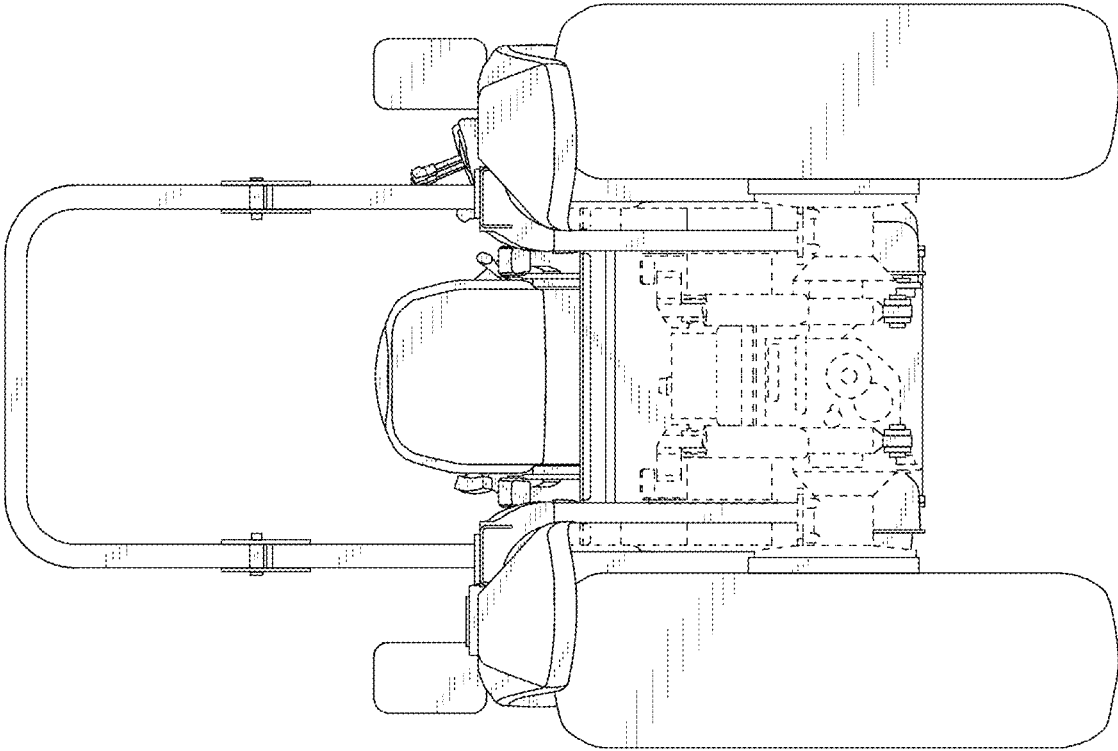


FIG. 5

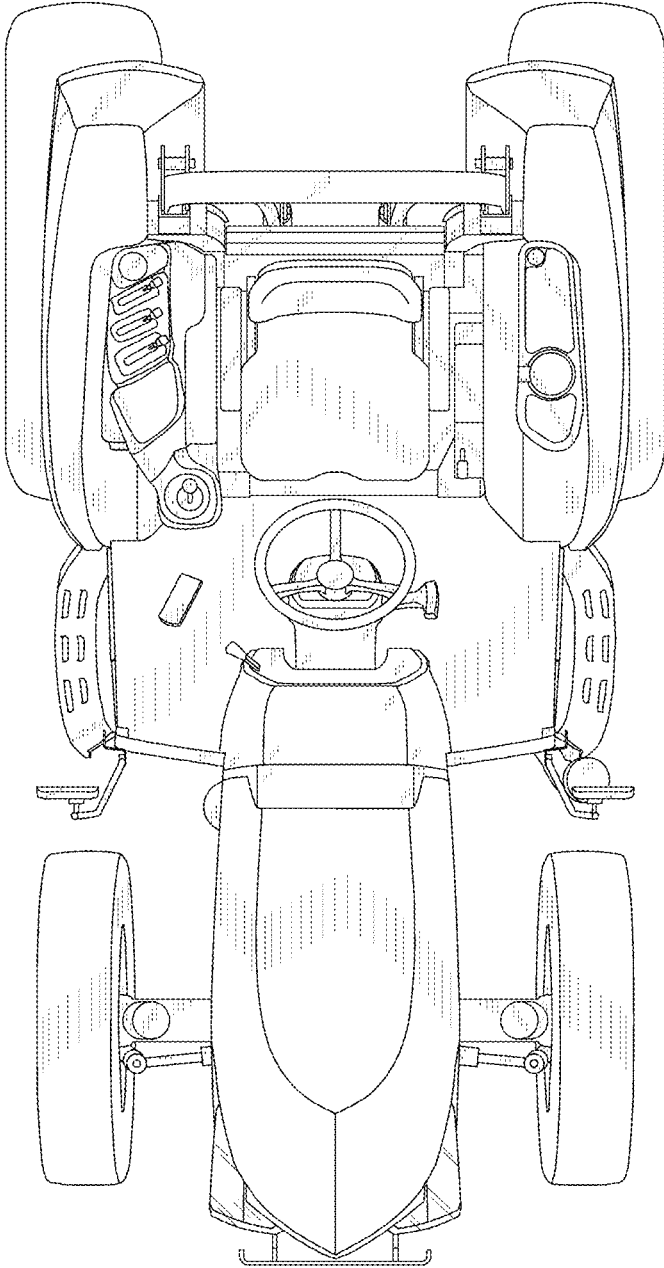


FIG. 6

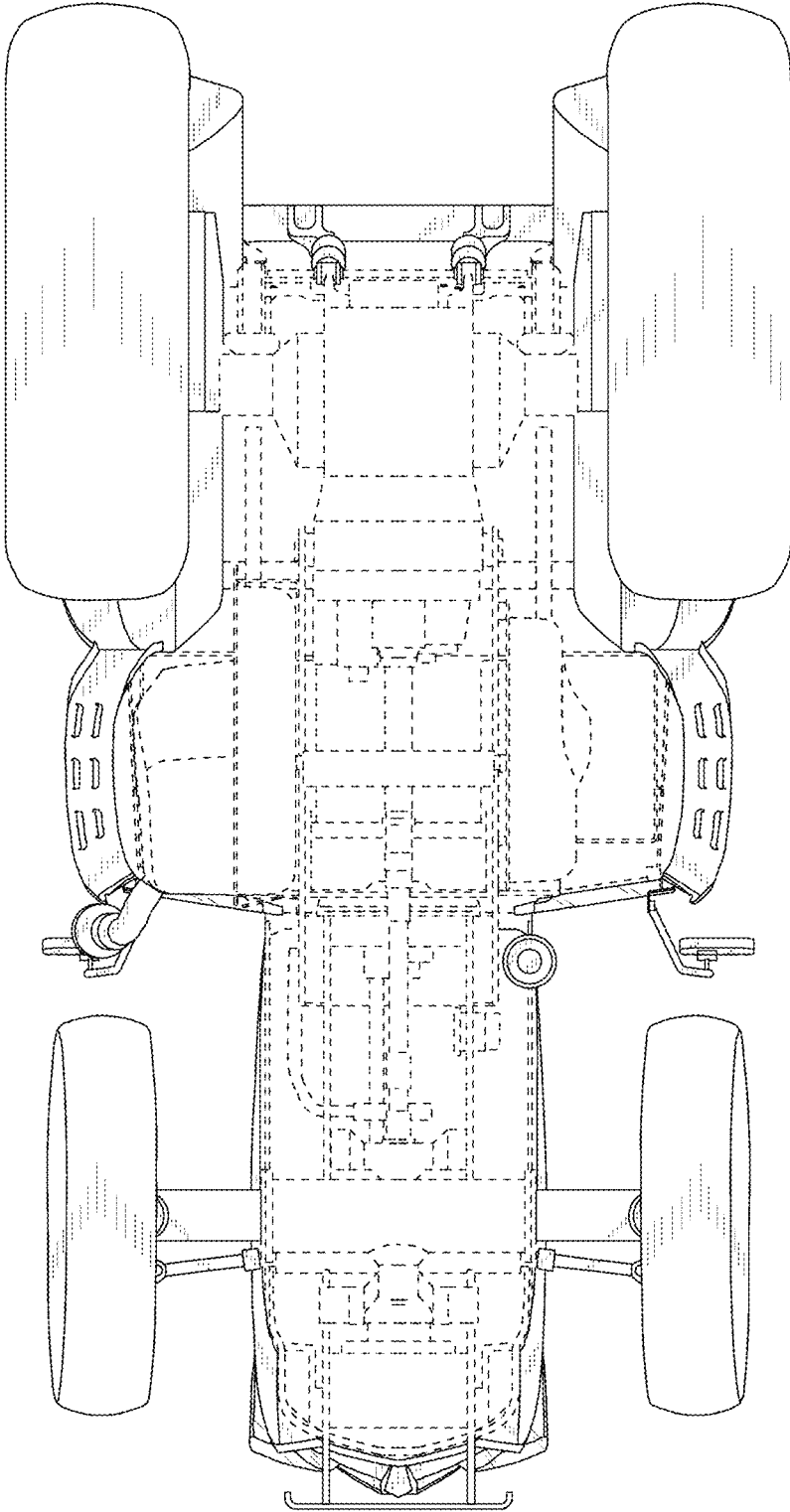


FIG. 7

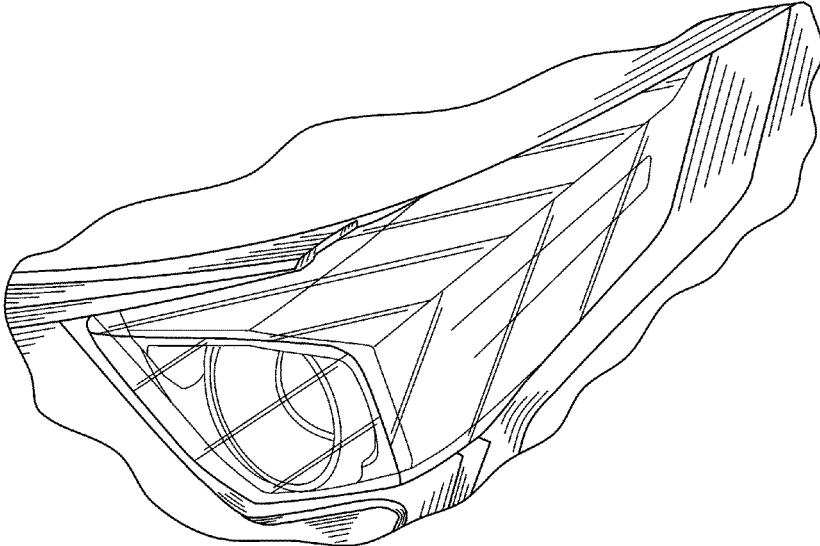


FIG. 8