



US00D671831S

(12) **United States Design Patent**  
**Moreau**

(10) **Patent No.:** **US D671,831 S**

(45) **Date of Patent:** **\*\* Dec. 4, 2012**

(54) **CONTAINER**

(75) Inventor: **Jean Moreau**, Lisieux (FR)

(73) Assignee: **Societe des Produits Nestle S.A.**, Vevey (CH)

(\*\*) Term: **14 Years**

(21) Appl. No.: **29/386,677**

(22) Filed: **Mar. 3, 2011**

(51) **LOC (9) Cl.** ..... **09-03**

(52) **U.S. Cl.** ..... **D9/428**

(58) **Field of Classification Search** ..... D9/414,  
D9/418, 424, 425, 428, 429; D7/619, 629;  
229/400-406, 932, 906.1; 220/656-659,  
220/669-675, 912, 4.21-4.27; 206/553,  
206/557, 541, 775, 776

See application file for complete search history.

(56) **References Cited**

**U.S. PATENT DOCUMENTS**

D351,790	S	*	10/1994	Haindl	.....	D9/425
D539,091	S	*	3/2007	Mansfield	.....	D7/513
D540,689	S	*	4/2007	Dorfimüller	.....	D9/560

D615,868	S	*	5/2010	Rodriguez et al.	.....	D9/529
D634,203	S	*	3/2011	Mongeon et al.	.....	D9/504
D640,925	S	*	7/2011	Rodriguez et al.	.....	D9/529
D641,245	S	*	7/2011	Rodriguez et al.	.....	D9/529
D645,340	S	*	9/2011	Menard et al.	.....	D9/428
D646,968	S	*	10/2011	Ortiz et al.	.....	D9/429
D656,009	S	*	3/2012	Ortiz et al.	.....	D9/428

\* cited by examiner

*Primary Examiner* — Thomas Johannes

(74) *Attorney, Agent, or Firm* — K&L Gates LLP

(57) **CLAIM**

The ornamental design for a container, as shown and described.

**DESCRIPTION**

FIG. 1 is a right front perspective view of a container showing my new design;  
FIG. 2 is a front elevation view thereof, wherein the right side elevation view, left side elevation view and rear elevation view are identical images of this view;  
FIG. 3 is a top view thereof;  
FIG. 4 is a bottom view thereof; and,  
FIG. 5 is a cross-section view taken along line 5-5 of FIG. 1.

**1 Claim, 4 Drawing Sheets**

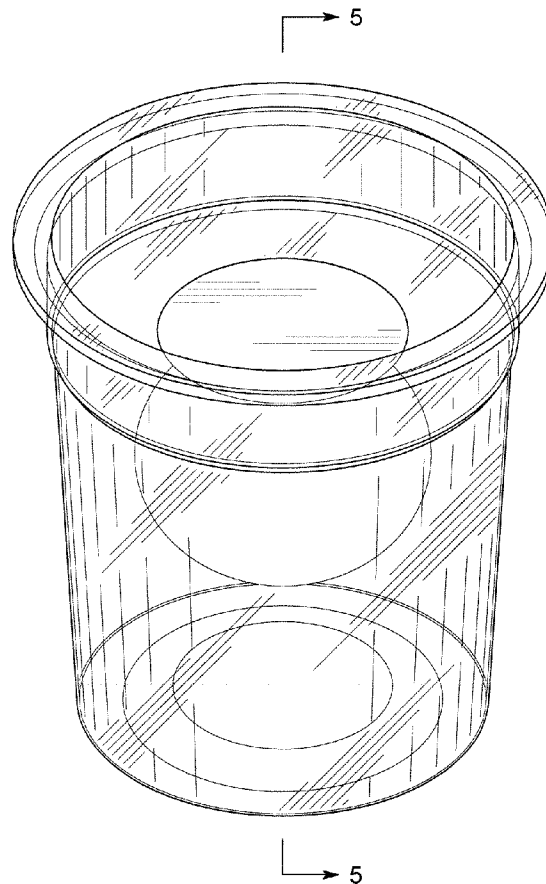


FIG. 1

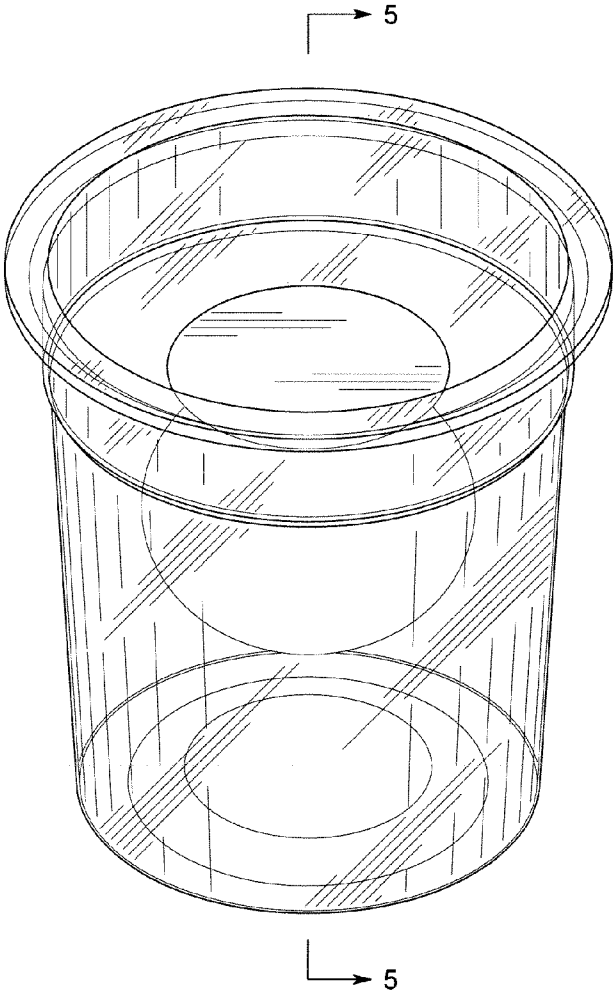


FIG. 2

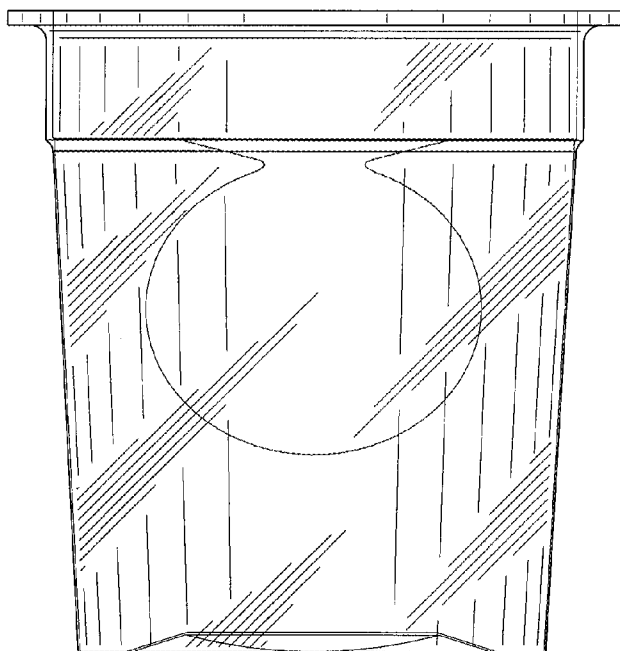


FIG. 3

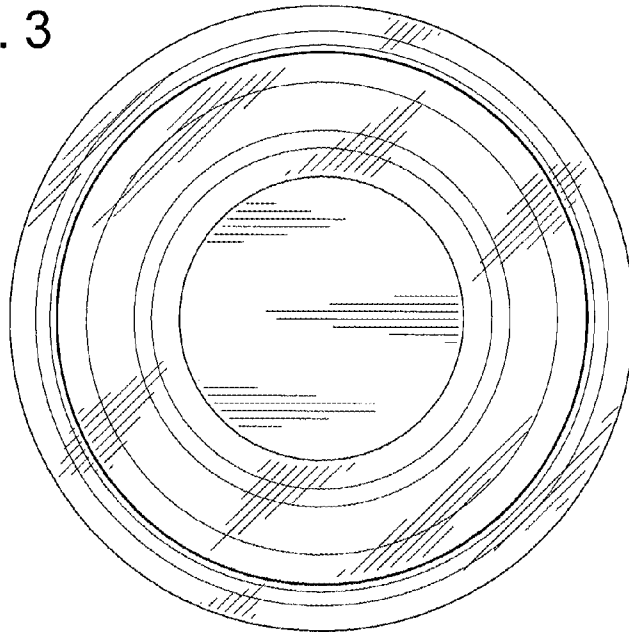


FIG. 4

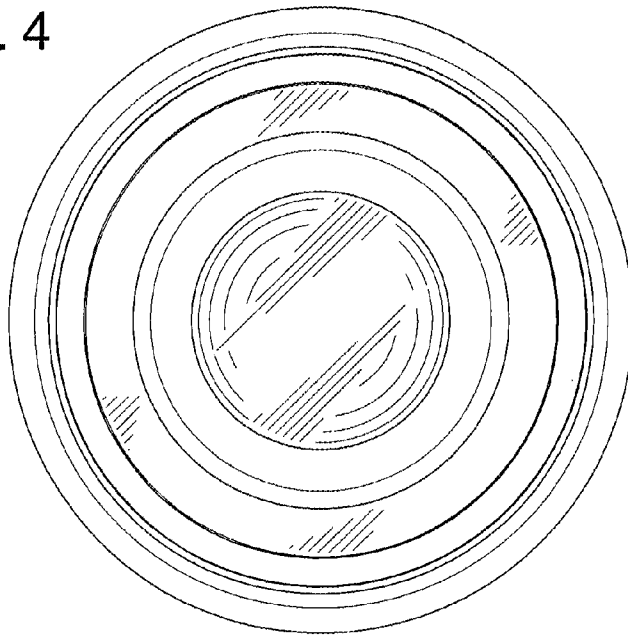


FIG. 5

