



US00D733784S

(12) **United States Design Patent**
Yamashita

(10) **Patent No.:** **US D733,784 S**

(45) **Date of Patent:** **** Jul. 7, 2015**

(54) **CAMERA MODULE**

(71) Applicant: **Naoyuki Yamashita**, Ohta-ku (JP)

(72) Inventor: **Naoyuki Yamashita**, Ohta-ku (JP)

(73) Assignee: **RICOH COMPANY, LTD.**, Tokyo (JP)

(**) Term: **14 Years**

(21) Appl. No.: **29/479,485**

(22) Filed: **Jan. 16, 2014**

(30) **Foreign Application Priority Data**

Jul. 19, 2013 (JP) 2013-016434

(51) **LOC (10) CI.** **16-01**

(52) **U.S. CI.**
USPC **D16/218**

(58) **Field of Classification Search**

USPC D16/200–204, 208, 218, 219;
340/932.2, 933, 937; 348/143, 148,
348/151, 373–376; 396/419, 427, 428,
396/537–541

CPC G03B 15/03; G03B 17/02; G03B 17/04;
G03B 17/48; G03B 17/56; G03B 19/04;
G08G 1/0175; H04N 5/2251; H04N 5/2252;
H04N 5/2253; H04N 5/2254; H04N 2101/00;
B60R 1/00

See application file for complete search history.

(56) **References Cited**

U.S. PATENT DOCUMENTS

D312,649 S * 12/1990 Sakuta D16/203
D460,773 S * 7/2002 Arbuckle et al. D16/203
D472,259 S * 3/2003 Rupe D16/202
6,637,952 B2 * 10/2003 Arbuckle et al. 396/427
D551,275 S * 9/2007 Kim D16/203
D616,480 S * 5/2010 Ookawa et al. D16/218
D624,106 S * 9/2010 Cho et al. D16/203

D668,282 S * 10/2012 Ohno et al. D16/203
8,427,540 B2 4/2013 Nakajima et al.
8,908,036 B2 * 12/2014 Tanaka et al. 348/148
2006/0171704 A1 * 8/2006 Bingle et al. 396/419
2010/0129070 A1 * 5/2010 Balasundaramohan
et al. 396/419
2011/0216195 A1 9/2011 Tanaka et al.
2011/0234803 A1 9/2011 Nakajima et al.
2011/0242321 A1 10/2011 Nakajima et al.
2011/0298925 A1 12/2011 Inoue et al.
2013/0107110 A1 * 5/2013 Park et al. 348/373
2014/0300742 A1 * 10/2014 Han 348/148

OTHER PUBLICATIONS

U.S. Appl. No. 29/479,494, filed Jan. 16, 2014.

* cited by examiner

Primary Examiner — Adir Aronovich

Assistant Examiner — Ramzi Almatrahi

(74) *Attorney, Agent, or Firm* — Oblon, McClelland, Maier & Neustadt, L.L.P.

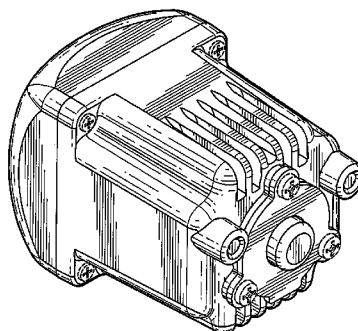
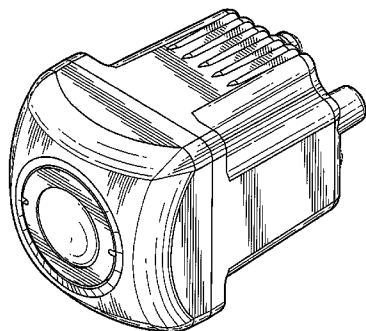
(57) **CLAIM**

The ornamental design for a camera module, as shown and described.

DESCRIPTION

FIG. 1 is a front elevational view of a camera module;
FIG. 2 is a rear elevational view thereof;
FIG. 3 is a left side elevational view thereof, the right side
elevational view being a mirror image of the left side eleva-
tional view shown;
FIG. 4 is a top plan view thereof;
FIG. 5 is a bottom plan view thereof;
FIG. 6 is a front, top, and right side perspective view thereof;
and,
FIG. 7 is a rear, top, and right side perspective view thereof.
The broken lines in the drawings depict environmental sub-
ject matter only and form no part of the claimed design.

1 Claim, 4 Drawing Sheets



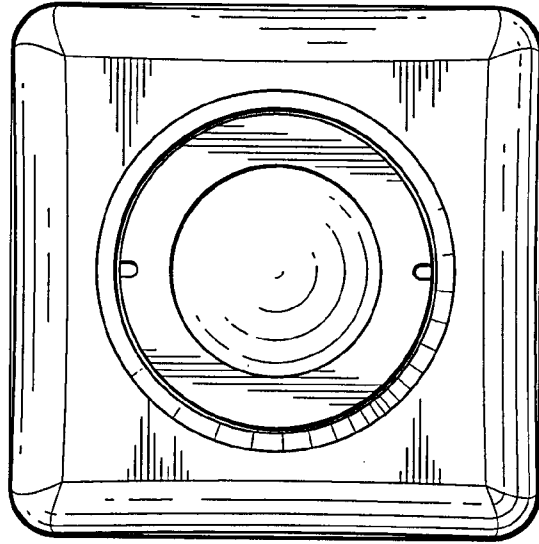


Fig. 1

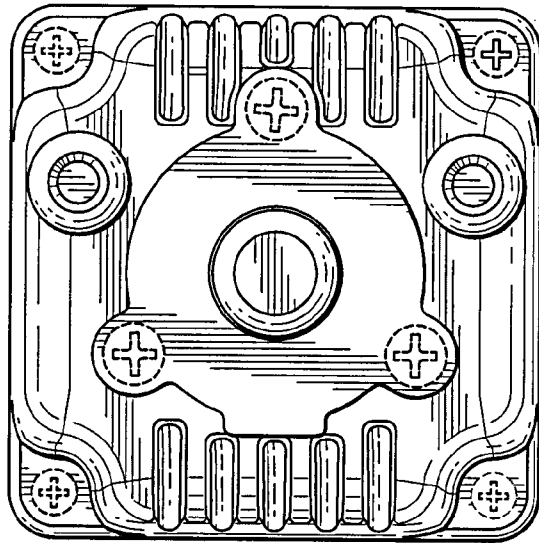


Fig. 2

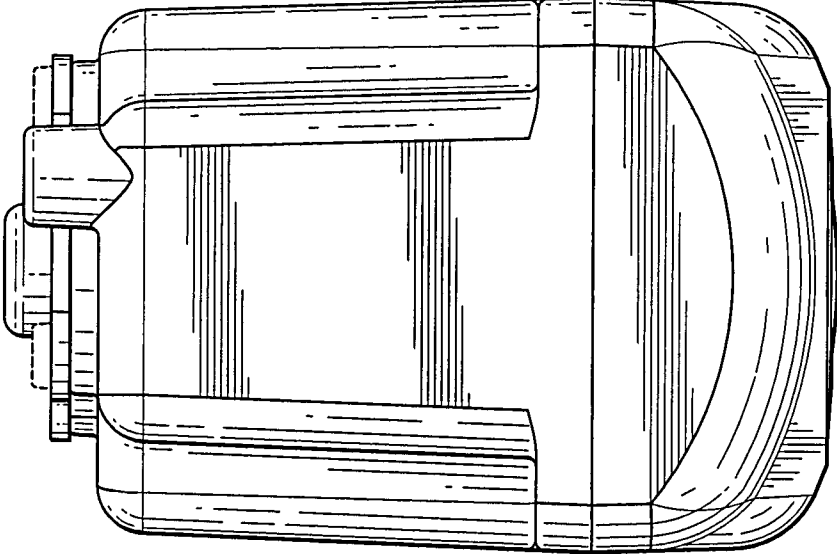


Fig. 3

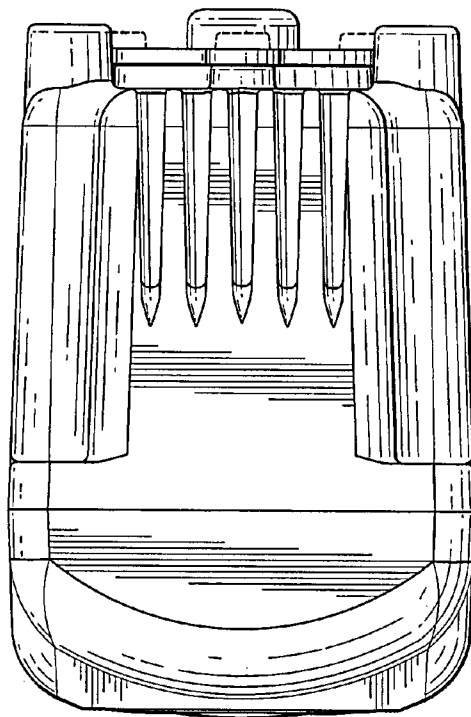


Fig. 4

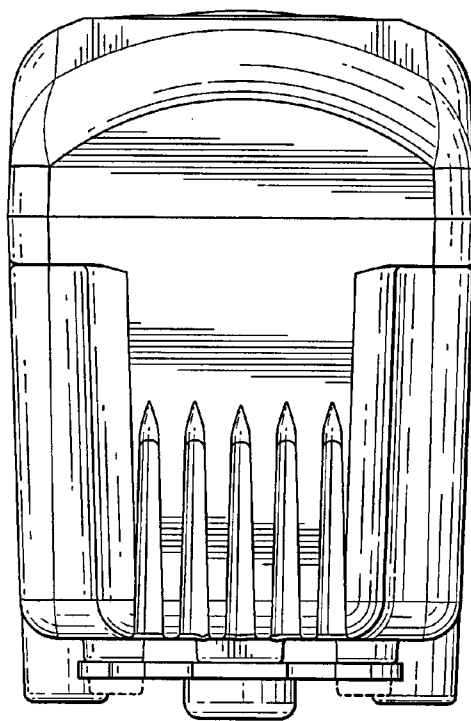


Fig. 5

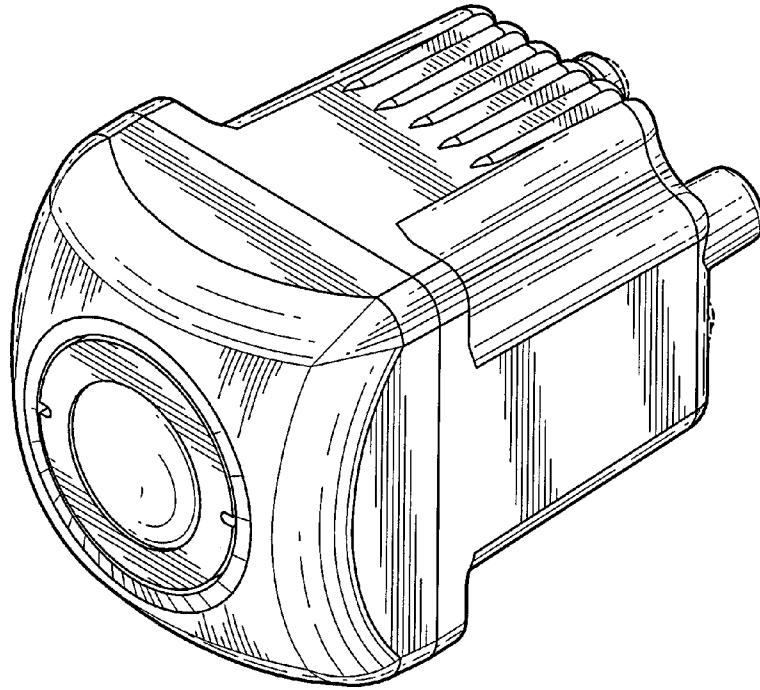


Fig. 6

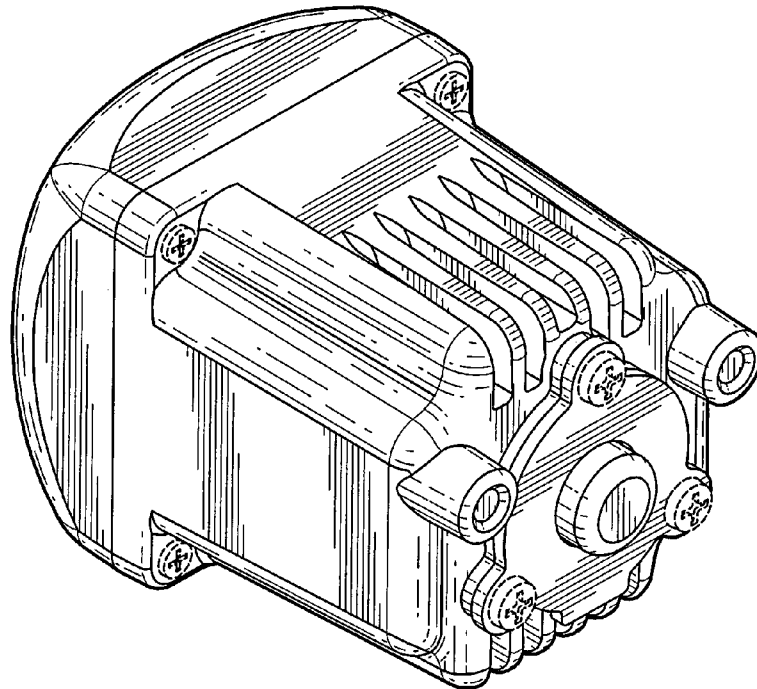


Fig. 7