



US00D606521S

(12) **United States Design Patent**  
**Birger**

(10) **Patent No.:** **US D606,521 S**

(45) **Date of Patent:** **\*\* Dec. 22, 2009**

(54) **HEADSET**

(75) Inventor: **Johan Birger**, Copenhagen (DK)

(73) Assignee: **GN Netcom A/S** (DK)

(\*\*) Term: **14 Years**

(21) Appl. No.: **29/324,448**

(22) Filed: **Sep. 12, 2008**

(30) **Foreign Application Priority Data**

Mar. 25, 2008 (EM) ..... 000902259

(51) **LOC (9) Cl.** ..... **14-01**

(52) **U.S. Cl.** ..... **D14/223**

(58) **Field of Classification Search** ..... D14/205,  
D14/206, 223, 188; 181/129, 130, 135; 379/430;  
381/380, 381, 370, 322, 328; 128/864, 865;  
455/575.2, 90.3

See application file for complete search history.

(56) **References Cited**

**U.S. PATENT DOCUMENTS**

2,477,698	A	*	8/1949	Little	.....	381/322
D490,070	S	*	5/2004	Lee	.....	D14/188
6,754,361	B1	*	6/2004	Hall et al.	.....	381/370
6,868,284	B2	*	3/2005	Bae	.....	455/575.2
7,020,300	B1	*	3/2006	Villaverde	.....	381/375
D520,497	S	*	5/2006	Yang	.....	D14/223
D538,784	S	*	3/2007	Eklund	.....	D14/205
D550,658	S	*	9/2007	Wang	.....	D14/223
D564,500	S	*	3/2008	Wang	.....	D14/223
D566,105	S	*	4/2008	Yang et al.	.....	D14/223
D566,693	S	*	4/2008	Jensen et al.	.....	D14/223
D573,138	S	*	7/2008	Goransson	.....	D14/223
D573,139	S	*	7/2008	Birger	.....	D14/223
D575,277	S	*	8/2008	Gaarde et al.	.....	D14/223

D577,003	S	*	9/2008	Yang et al.	.....	D14/206
D581,906	S	*	12/2008	Birger	.....	D14/223
D586,329	S	*	2/2009	Birger	.....	D14/205
D586,791	S	*	2/2009	Birger et al.	.....	D14/223
D592,190	S	*	5/2009	Birger	.....	D14/223

\* cited by examiner

*Primary Examiner*—Paula Greene

(74) *Attorney, Agent, or Firm*—Altera Law Group, LLC

(57) **CLAIM**

The ornamental design for a headset, as shown and described.

**DESCRIPTION**

FIG. 1 is a front perspective view of a headset showing my new design;

FIG. 2 is a front elevational view thereof;

FIG. 3 is a side elevational view thereof;

FIG. 4 is a top plan view thereof;

FIG. 5 is a bottom view thereof;

FIG. 6 is a rear elevational view thereof;

FIG. 7 is an opposite side elevational view thereof;

FIG. 8 is a front perspective view of a second embodiment showing my new design;

FIG. 9 is a front elevational view thereof;

FIG. 10 is a side elevational view thereof;

FIG. 11 is a top plan view thereof;

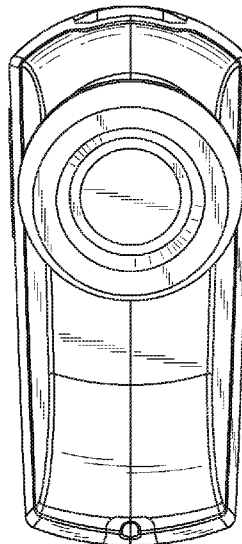
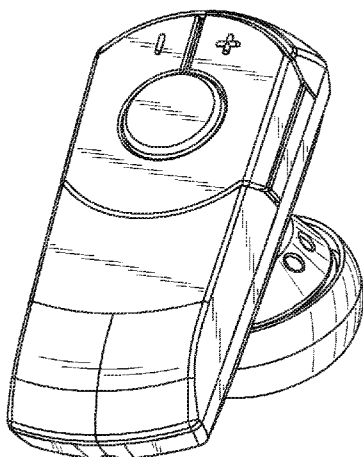
FIG. 12 is a bottom plan view thereof;

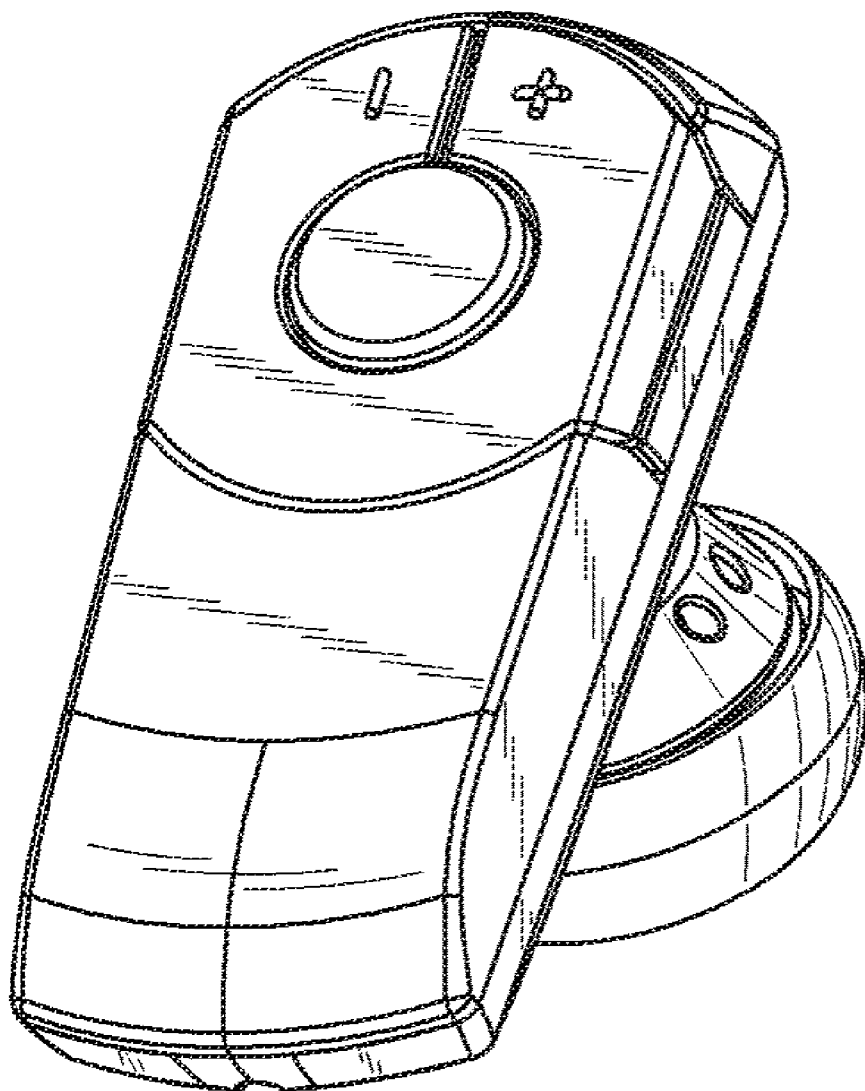
FIG. 13 is a rear elevational view thereof; and,

FIG. 14 is an opposite side elevational view thereof.

The broken lines form no part of the claimed design.

**1 Claim, 6 Drawing Sheets**





**Fig. 1**

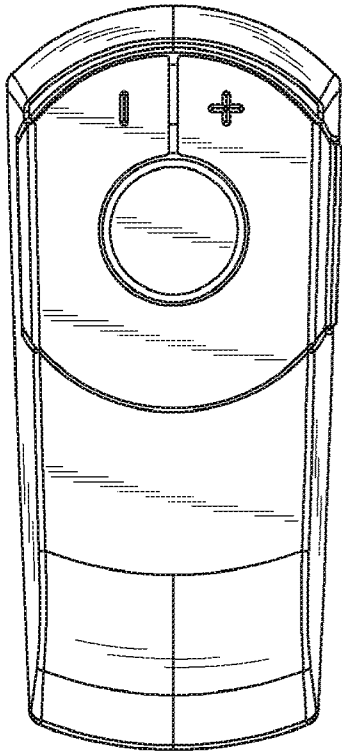


Fig. 2

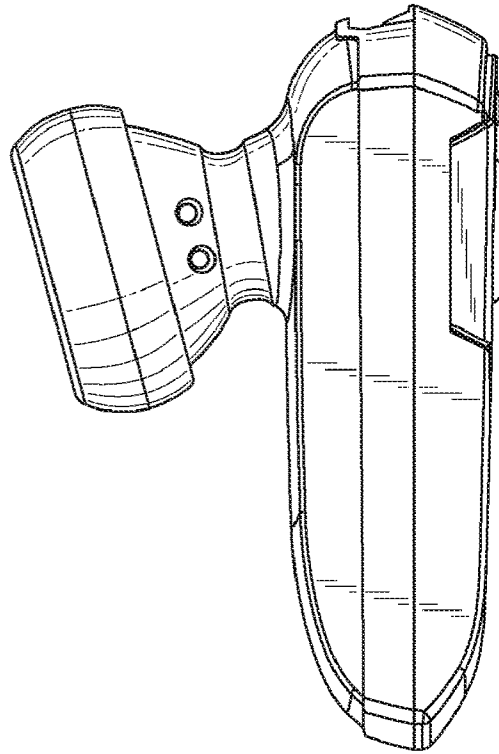


Fig. 3

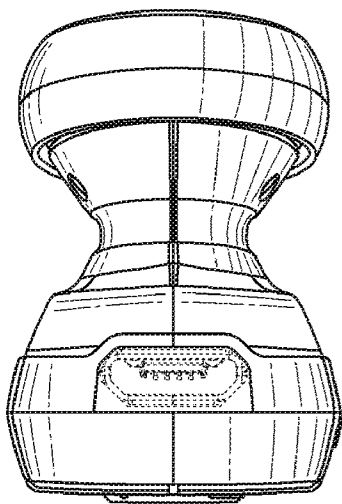


Fig. 4

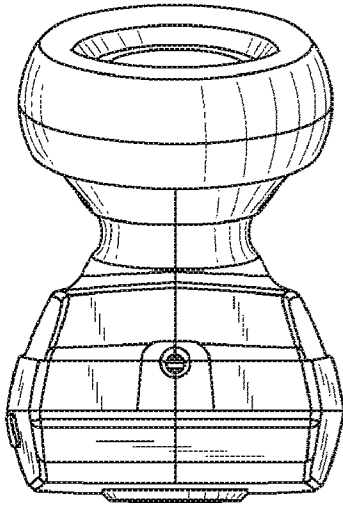


Fig. 5

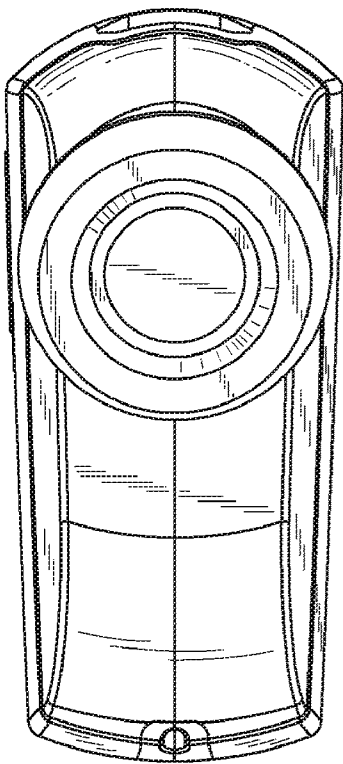


Fig. 6

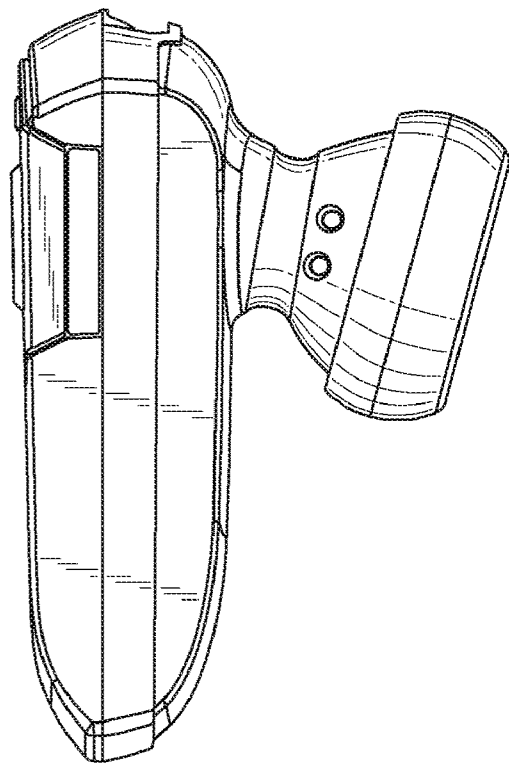
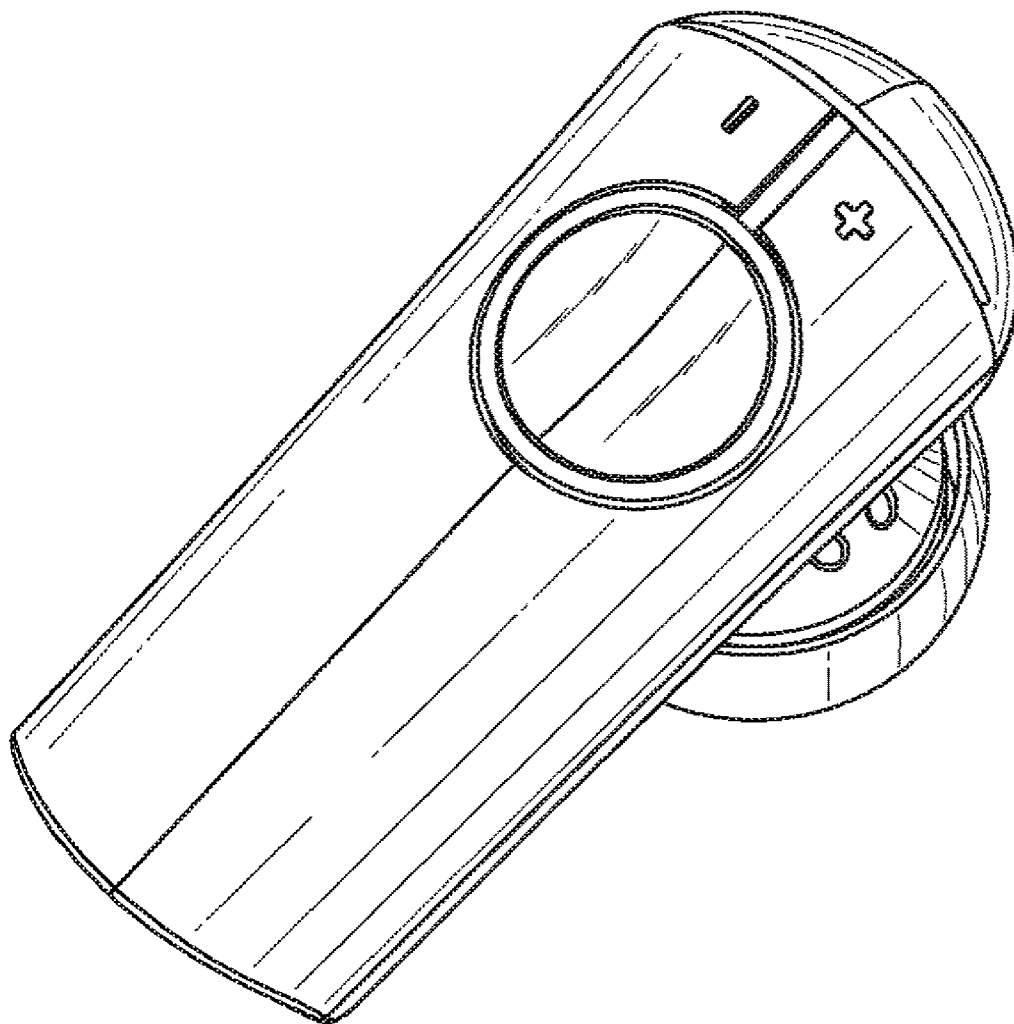
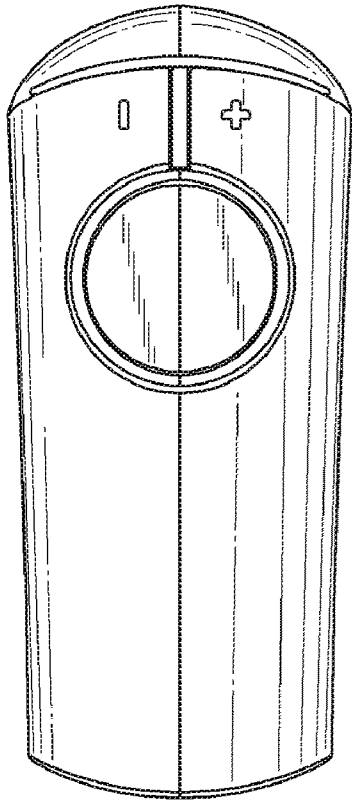


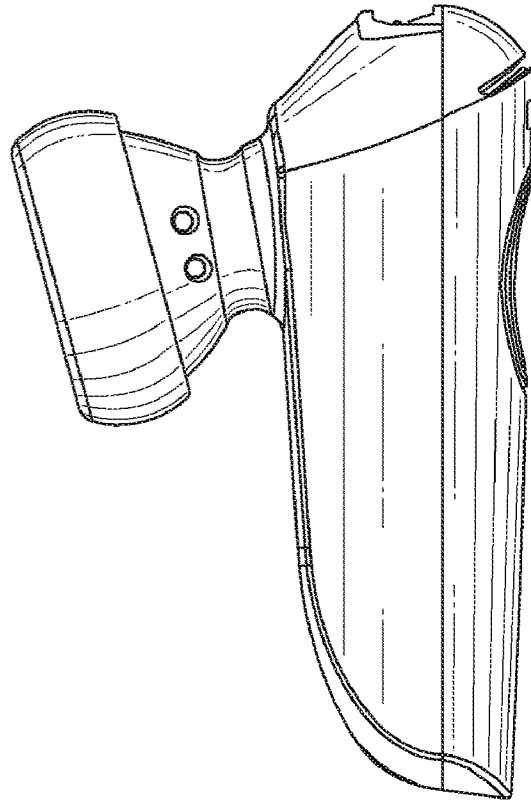
Fig. 7



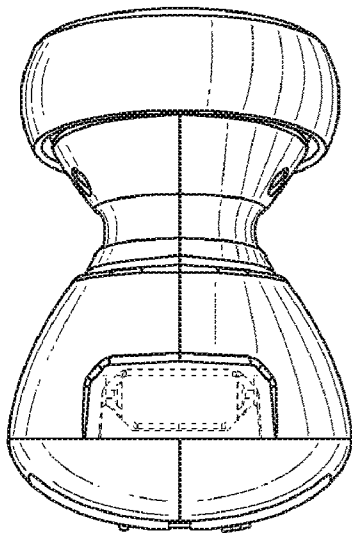
**Fig. 8**



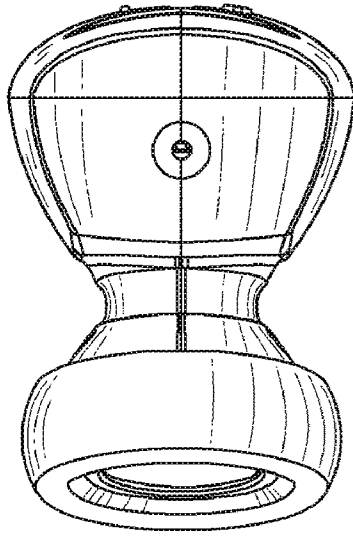
**Fig. 9**



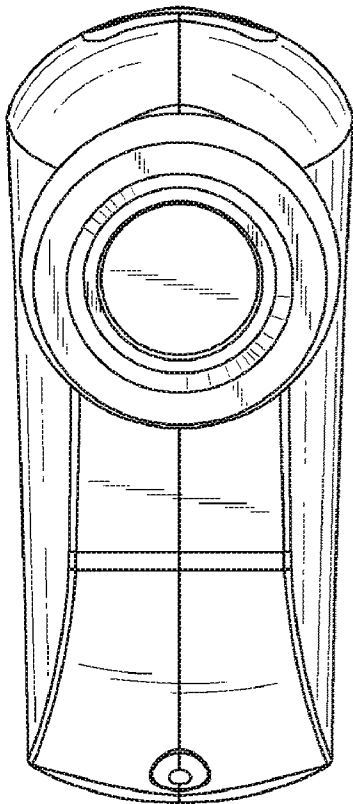
**Fig. 10**



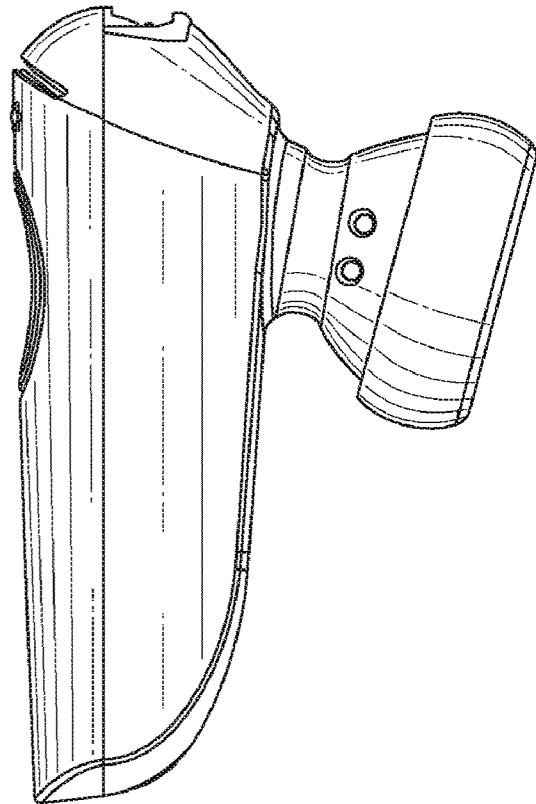
**Fig. 11**



**Fig. 12**



**Fig. 13**



**Fig. 14**