



US00D840227S

(12) **United States Design Patent**
Lebon

(10) **Patent No.:** **US D840,227 S**

(45) **Date of Patent:** **** Feb. 12, 2019**

(54) **DISPENSER**

(71) Applicant: **Clariant Healthcare Packaging (France) SAS**, Choisy le Roi (FR)

(72) Inventor: **Jacquy Lebon**, Challands (FR)

(73) Assignee: **CLARIANT HEALTHCARE PACKAGING (FRANCE) SAS**, Choisy le Roi (FR)

(**) Term: **15 Years**

(21) Appl. No.: **29/581,060**

(22) Filed: **Oct. 14, 2016**

(30) **Foreign Application Priority Data**

Apr. 14, 2016 (EM) 003068568

(51) **LOC (11) Cl.** **09-07**

(52) **U.S. Cl.**
USPC **D9/447**

(58) **Field of Classification Search**
USPC D3/202, 203.1, 242; D7/316, 321, 392.1, D7/396.2, 397, 500, 507, 509-511; D9/434-437, 439, 440, 442-445, 447, D9/448, 449, 450, 452-455, 499, 682, D9/685, 694; D23/213, 227, 233, 255, D23/260, 269, 390
CPC B65D 47/00; B65D 47/043; B65D 47/32; B65D 83/40; A47K 5/18
See application file for complete search history.

(56) **References Cited**

U.S. PATENT DOCUMENTS

D145,646 S * 9/1946 Severance D7/392.1
D306,118 S * 2/1990 Guerrero D7/397
D311,868 S * 11/1990 Armstrong D9/452
D452,151 S * 12/2001 Scott D3/203.4
D616,747 S * 6/2010 Stull D9/452
D679,594 S * 4/2013 Stull, Sr. D9/452

D679,596 S * 4/2013 Stull, Sr. D9/452
D681,460 S * 5/2013 Kim D9/443
D712,260 S * 9/2014 Humm D9/449

(Continued)

OTHER PUBLICATIONS

Alibaba. Wholesale stainless steel russian icing patry piping nozzle tip set in Guangzhou. 2017 [earliest online date], [site visited Dec. 21, 2017]. Available from Internet, <URL:https://www.alibaba.com/product-detail/Wholesale-stainless-steel-russian-icing-pastry_60496363988.html>. (Year: 2017).*

(Continued)

Primary Examiner — George D. Kirschbaum

Assistant Examiner — Darcey E Heflin

(74) *Attorney, Agent, or Firm* — Knobbe, Martens, Olson & Bear, LLP

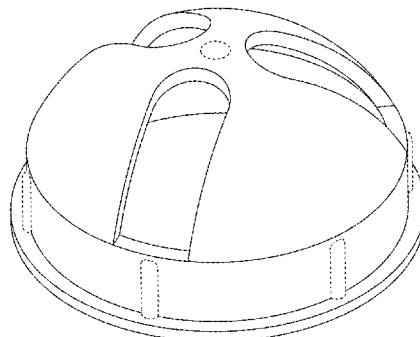
(57) **CLAIM**

We claim the ornamental design for a dispenser, as shown and described.

DESCRIPTION

FIG. 1 is a bottom perspective view of a dispenser showing my new design;
FIG. 2 is a rear view of the design of FIG. 1;
FIG. 3 is a front view of the design of FIG. 1;
FIG. 4 is a right side view of the design of FIG. 1;
FIG. 5 is a left side view of the design of FIG. 1;
FIG. 6 is a top view of the design of FIG. 1;
FIG. 7 is a bottom view of the design of FIG. 1 thereof;
FIG. 8 shows the top view of FIG. 6 with a broken line to indicate the plane upon which the sectional view in FIG. 9 is taken;
FIG. 9 is a cross-sectional view, taken in the direction of line 9-9 in FIG. 8; and,
FIG. 10 is a top perspective view of the design of FIG. 1. The broken lines in the drawings illustrate the portions of the dispenser that form no part of the claim.

1 Claim, 8 Drawing Sheets



(56)

References Cited

U.S. PATENT DOCUMENTS

D715,952 S *	10/2014	Mitchell	D24/197
D727,149 S *	4/2015	Humm	D9/449
D753,488 S *	4/2016	Escobar	D9/445
D775,952 S *	1/2017	Kim	D9/452
D798,110 S *	9/2017	Valenti	D7/507

OTHER PUBLICATIONS

Clariant. Clariant Launches New 24-Canister Dispenser Machine CD2406. Apr. 2015 [earliest online date], [site visited Dec. 21, 2017]. Available from Internet, <URL:<https://www.clariant.com/en/Corporate/News/2015/04/Clariant-launches-new-24canister-dispenser-machine-CD2406>>. (Year: 2015).*

* cited by examiner

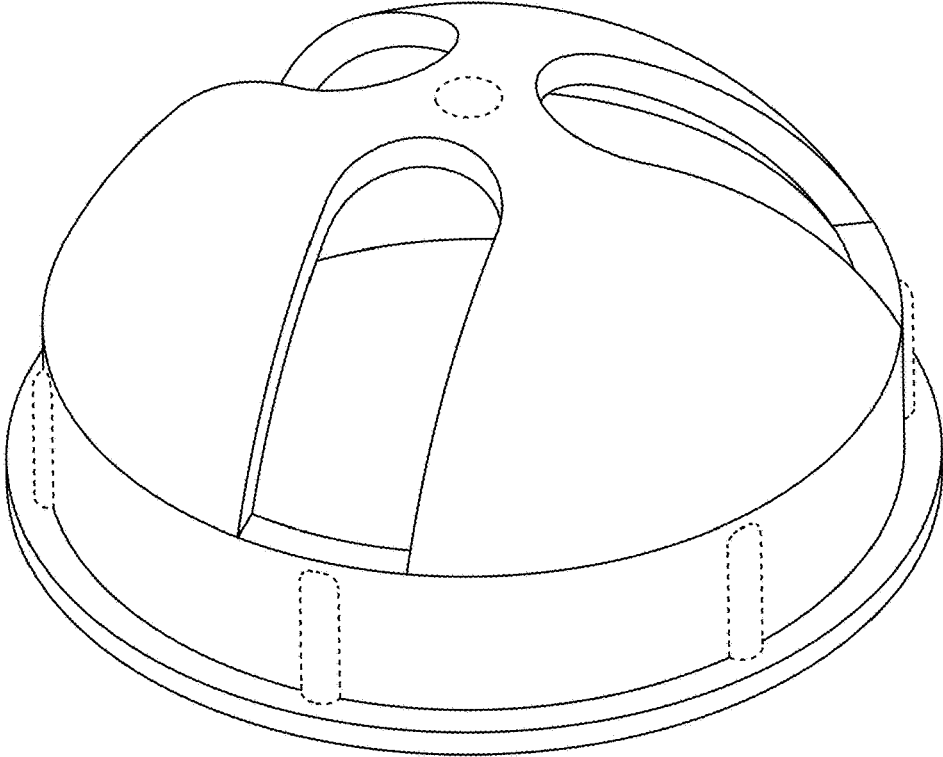


FIGURE 1

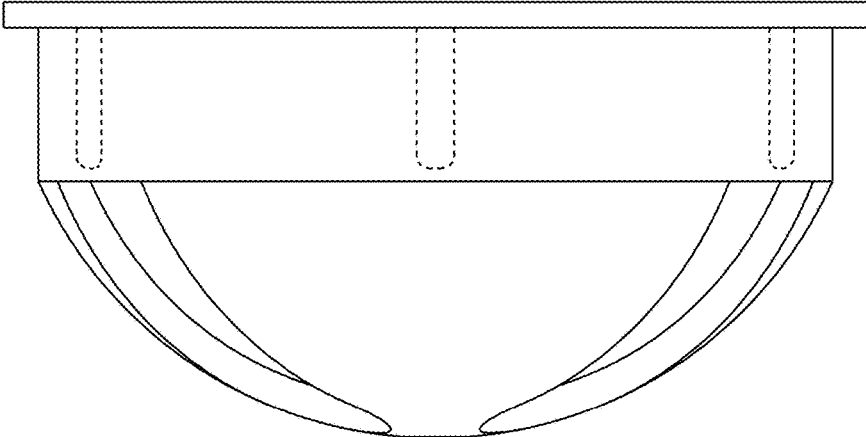


FIGURE 2

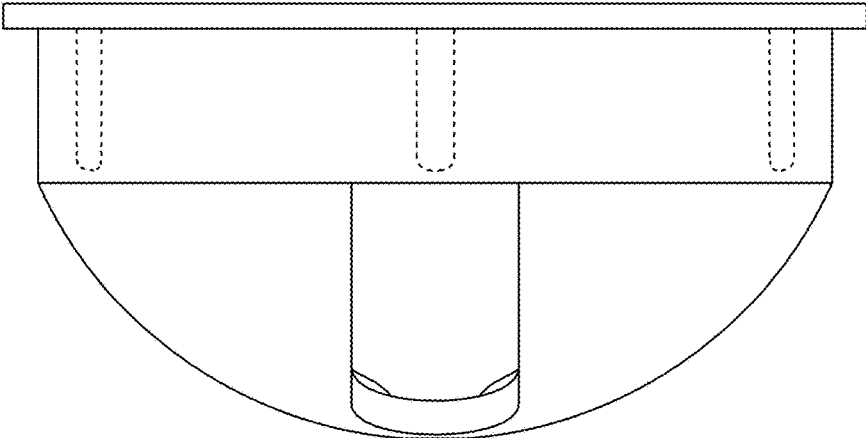


FIGURE 3

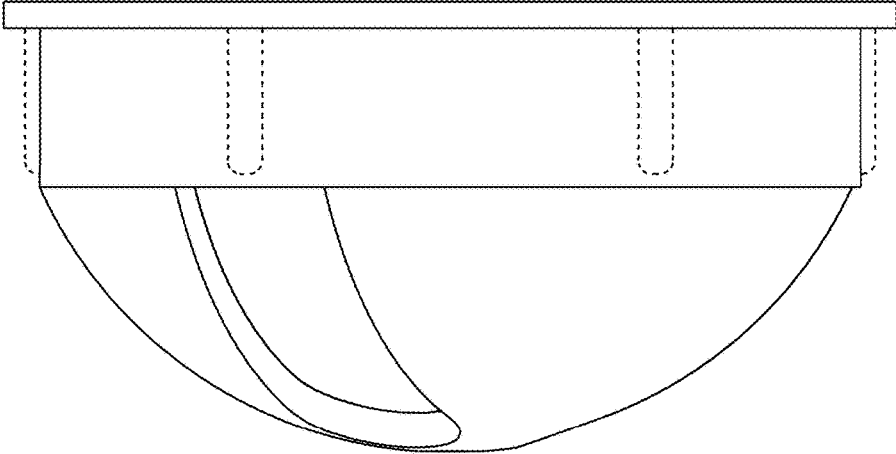


FIGURE 4

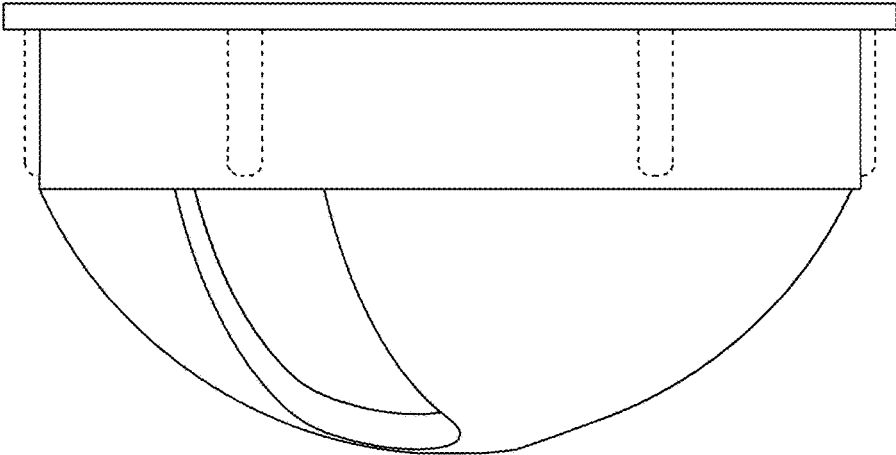


FIGURE 5

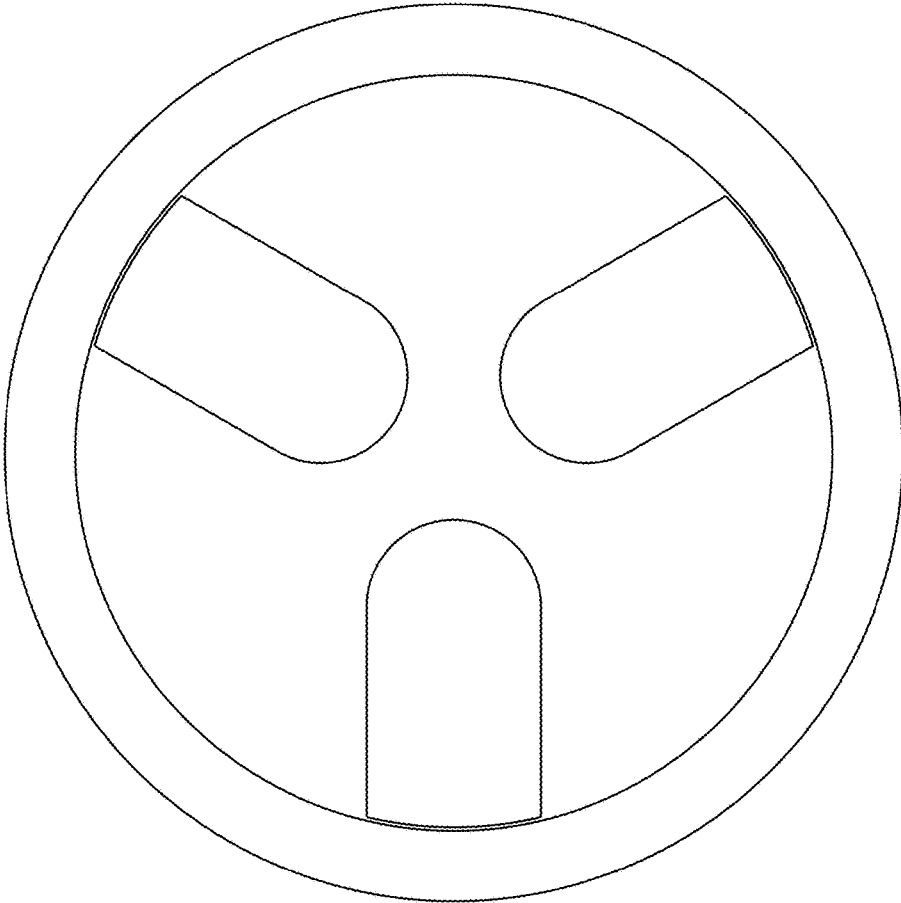


FIGURE 6

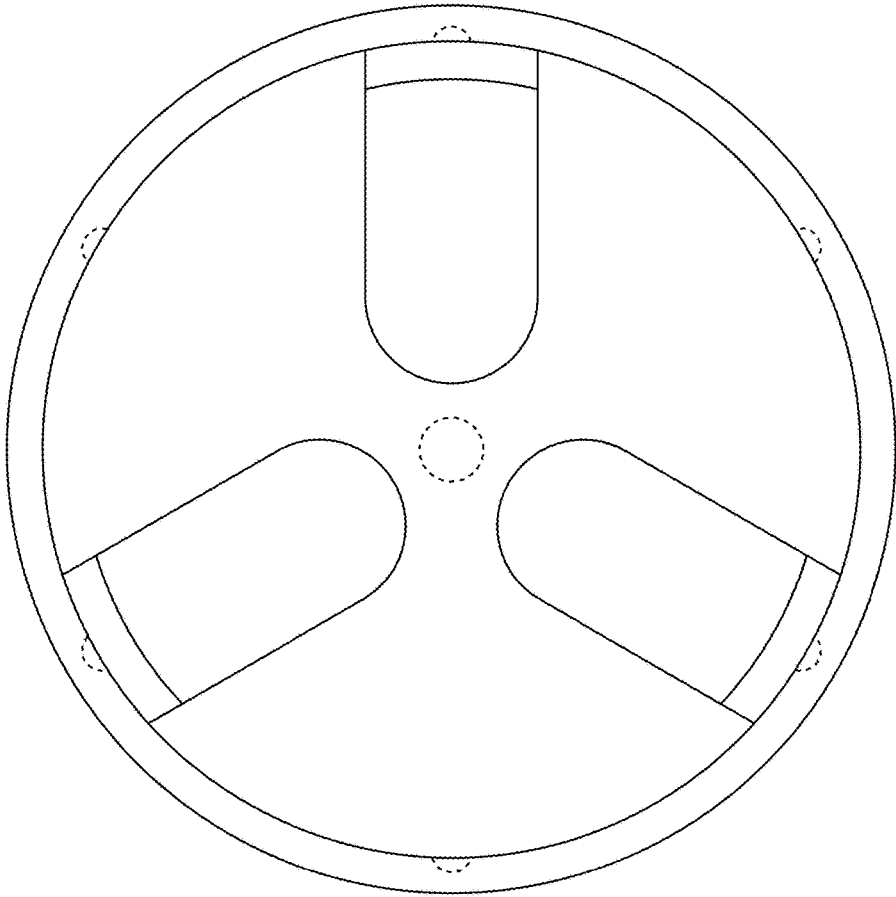


FIGURE 7

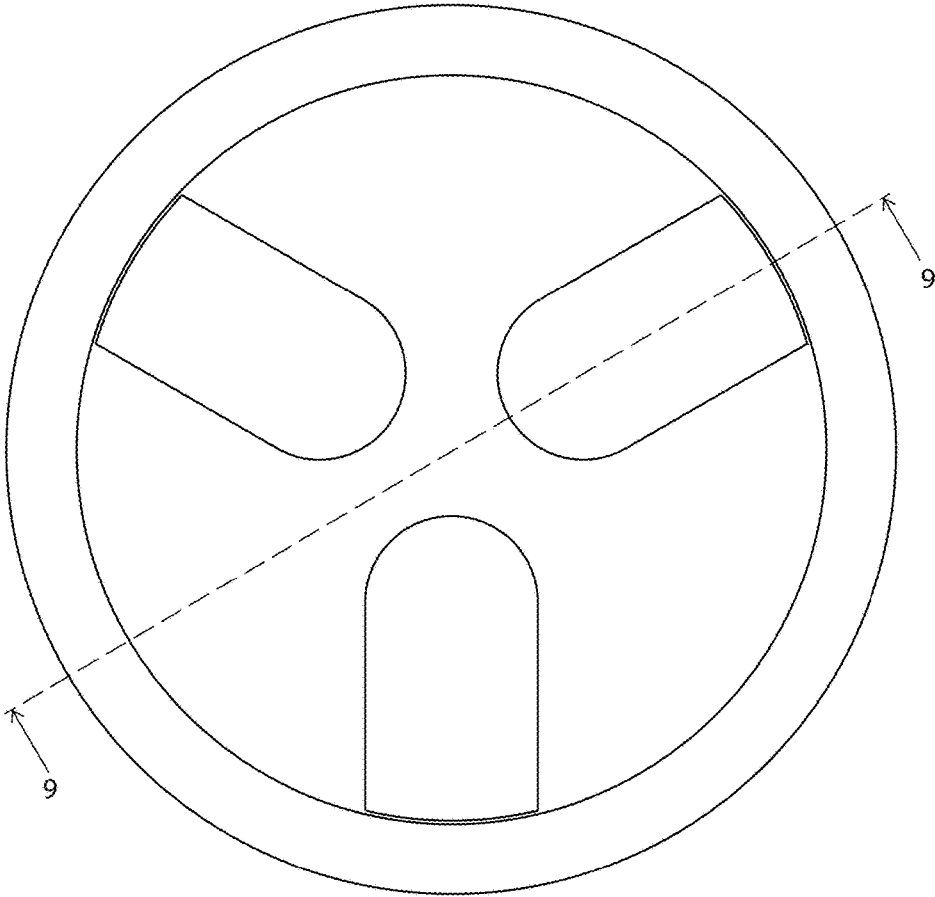


FIGURE 8

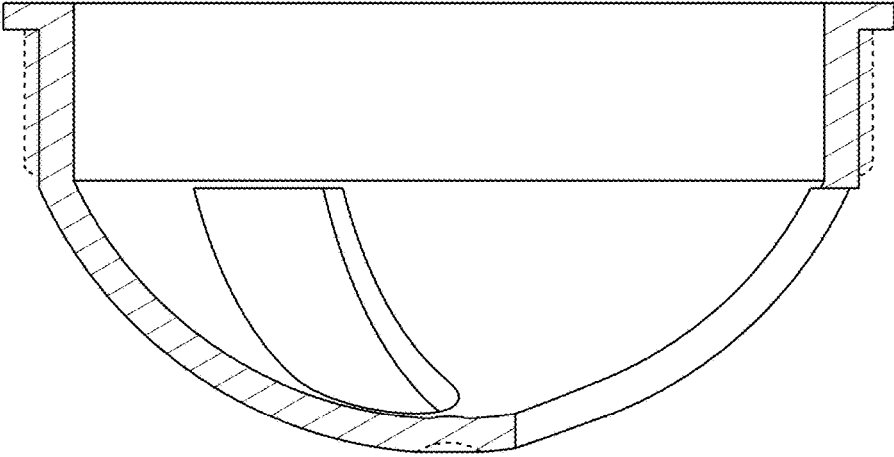


FIGURE 9

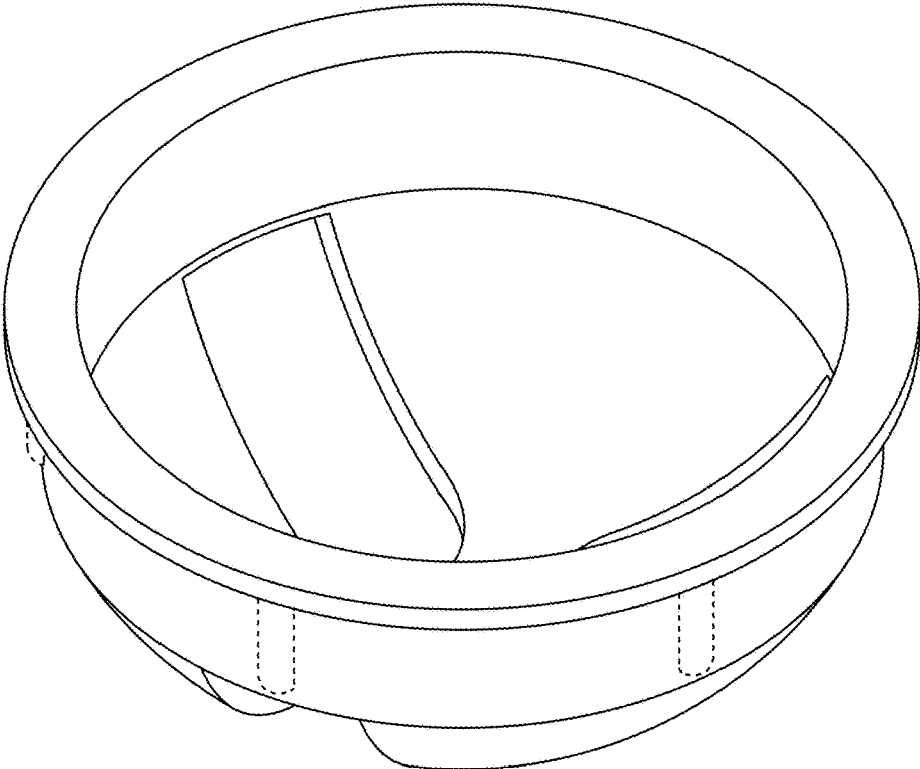


FIGURE 10