

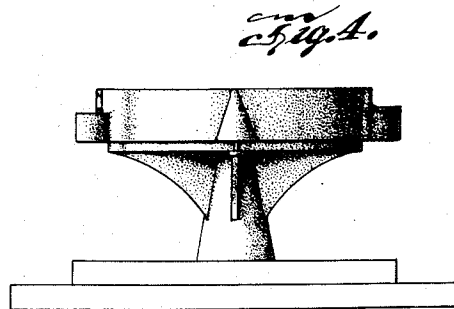
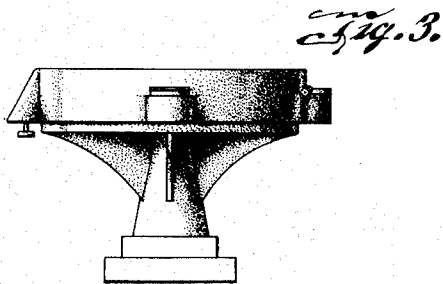
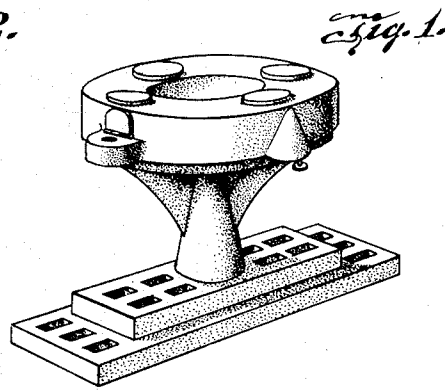
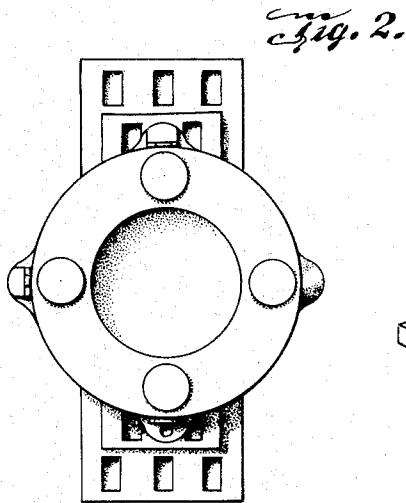
Feb. 17, 1953

W. BELECK

Des. 168,819

MANICURING IMPLEMENT CONTAINER OR SIMILAR ARTICLE

Filed March 6, 1952



WILLIAM BELECK
INVENTOR.

James S. [Signature]
ATTORNEY

UNITED STATES PATENT OFFICE

168,819

MANICURING IMPLEMENT CONTAINER OR SIMILAR ARTICLE

William Beleck, Tyler, Tex.

Application March 6, 1952, Serial No. 18,807

Term of patent 3½ years

(Cl. D86—10)

To all whom it may concern:

Be it known that I, William Beleck, a citizen of the United States, residing at Tyler, in the county of Smith and State of Texas, have invented a new, original, and ornamental Design for a Manicuring Implement Container or Similar Article, as shown, of which the following is a specification, reference being had to the accompanying drawing, forming part thereof.

Figure 1 is a top perspective view of the manicuring implement container or similar article embodying my new design.

Figure 2 is a top plan view.

Figure 3 is an end elevational view, and

Figure 4 is a side elevational view thereof.

I claim:

The ornamental design for a manicuring implement container or similar article, substantially as shown.

WILLIAM BELECK.

REFERENCES CITED

The following references are of record in the file of this patent:

UNITED STATES PATENTS

Number	Name	Date
1,552,133	Frey	Sept. 1, 1925
2,190,975	Brown	Feb. 20, 1940
2,279,520	Perillo	Apr. 14, 1942