

(19) World Intellectual Property Organization  
International Bureau



(43) International Publication Date  
16 October 2008 (16.10.2008)

PCT

(10) International Publication Number  
**WO 2008/124321 A3**

- (51) International Patent Classification: **B65D 85/00** (2006.01) 64801 (US). **YORK, William, B., III** [US/US]; 17628 Jayhawk Road, Carthage, MO 64836 (US).
- (21) International Application Number: PCT/US2008/058369 (74) Agents: **POFFENBERGER, J. Dwight, Jr.** et al.; Wood, Herron & Evans, L.L.p., 441 Vine Street, 2700 Carew Tower, Cincinnati, OH 45202 (US).
- (22) International Filing Date: 27 March 2008 (27.03.2008) (81) Designated States (unless otherwise indicated, for every kind of national protection available): AE, AG, AL, AM, AO, AT, AU, AZ, BA, BB, BG, BH, BR, BW, BY, BZ, CA, CH, CN, CO, CR, CU, CZ, DE, DK, DM, DO, DZ, EC, EE, EG, ES, FI, GB, GD, GE, GH, GM, GT, HN, HR, HU, ID, IL, IN, IS, JP, KE, KG, KM, KN, KP, KR, KZ, LA, LC, LK, LR, LS, LT, LU, LY, MA, MD, ME, MG, MK, MN, MW, MX, MY, MZ, NA, NG, NI, NO, NZ, OM, PG, PH, PL, PT, RO, RS, RU, SC, SD, SE, SG, SK, SL, SM, SY, TJ, TM, TN, TR, TT, TZ, UA, UG, US, UZ, VC, VN, ZA, ZM, ZW.
- (25) Filing Language: English
- (26) Publication Language: English
- (30) Priority Data: 11/697,032 5 April 2007 (05.04.2007) US
- (71) Applicant (for all designated States except US): **L & P PROPERTY MANAGEMENT COMPANY** [US/US]; 4095 Firestone Boulevard, South Gate, CA 90280 (US).
- (72) Inventors; and
- (75) Inventors/Applicants (for US only): **KNEWTSON, Kelly, M.** [US/US]; 1022 West "b" Street, Joplin, MO
- (84) Designated States (unless otherwise indicated, for every kind of regional protection available): ARIPO (BW, GH, GM, KE, LS, MW, MZ, NA, SD, SL, SZ, TZ, UG, ZM,

[Continued on next page]

(54) Title: FLAT PACKED MATTRESS SPRING CORE ASSEMBLIES AND METHOD OF PACKAGING SUCH ASSEMBLIES

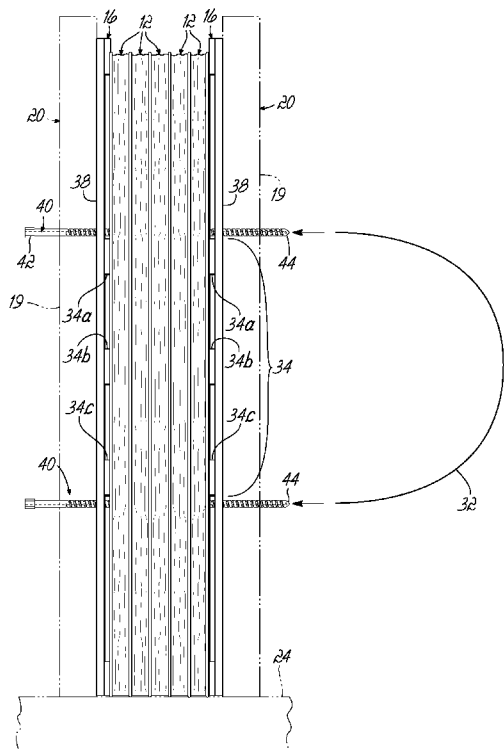


FIG. 5

(57) Abstract: Package (10) and method of flat-packing multiple pocketed spring core assemblies (12) wherein a stack of multiple pocketed spring assemblies (12) are trapped between a pair of wooden frames (16). After compression of the stack including the wooden frames (16), bands (28) are tightly wrapped around the compressed stack. Loops of wire (32) are then inserted through the stack and wrapped about at least one cross element (34) of the frame (16) on each side of the stack. Each loop of wire (32) is pulled taut and its opposite ends connected together so as to prevent the center portion of the stack from ballooning outwardly after removal of compression forces on the rigid frames.

WO 2008/124321 A3



ZW), Eurasian (AM, AZ, BY, KG, KZ, MD, RU, TJ, TM),  
European (AT, BE, BG, CH, CY, CZ, DE, DK, EE, ES, FI,  
FR, GB, GR, HR, HU, IE, IS, IT, LT, LU, LV, MC, MT, NL,  
NO, PL, PT, RO, SE, SI, SK, TR), OAPI (BF, BJ, CF, CG,  
CI, CM, GA, GN, GQ, GW, ML, MR, NE, SN, TD, TG).

— *before the expiration of the time limit for amending the  
claims and to be republished in the event of receipt of  
amendments*

**Published:**

— *with international search report*

**(88) Date of publication of the international search report:**

5 February 2009

**INTERNATIONAL SEARCH REPORT**

International application No.

PCT/US 08/58369

**A. CLASSIFICATION OF SUBJECT MATTER**

IPC(8) - B65D 85/00 (2008.04)

USPC - 206/326

According to International Patent Classification (IPC) or to both national classification and IPC

**B. FIELDS SEARCHED**

Minimum documentation searched (classification system followed by classification symbols)  
206/326

Documentation searched other than minimum documentation to the extent that such documents are included in the fields searched  
206/326, 503, 369, 397, 403, 415 - text limited

Electronic data base consulted during the international search (name of data base and, where practicable, search terms used)

WEST, Google Scholar

Search terms: loop, ring, baling, baler, stack, threaded, rod, insert

**C. DOCUMENTS CONSIDERED TO BE RELEVANT**

Category*	Citation of document, with indication, where appropriate, of the relevant passages	Relevant to claim No.
X	US 1,887,226 A (Wunderlich) 08 November 1932 (08.11.1932) see entire doc, esp figure 5	1, 5, 9, 13, 14, 15
Y		2-4, 6-8, 10-12
Y	US 4,154,159 A (Ortega) 15 May 1979 (15.05.1979) column 5, ln 36-66	2, 6, 10
Y	US 1,961,040 A (Frantz) 29 May 1934 (29.05.1934) figures 1-3	3-4, 7-8, 11-12
Y	US 2,004,732 A (Rowe) 11 June 1935 (11.06.1935) column 1, ln 46-55; column 2, ln 1-5	4, 8, 12

Further documents are listed in the continuation of Box C.

* Special categories of cited documents:	"T" later document published after the international filing date or priority date and not in conflict with the application but cited to understand the principle or theory underlying the invention
"A" document defining the general state of the art which is not considered to be of particular relevance	"X" document of particular relevance; the claimed invention cannot be considered novel or cannot be considered to involve an inventive step when the document is taken alone
"E" earlier application or patent but published on or after the international filing date	"Y" document of particular relevance; the claimed invention cannot be considered to involve an inventive step when the document is combined with one or more other such documents, such combination being obvious to a person skilled in the art
"L" document which may throw doubts on priority claim(s) or which is cited to establish the publication date of another citation or other special reason (as specified)	"&" document member of the same patent family
"O" document referring to an oral disclosure, use, exhibition or other means	
"P" document published prior to the international filing date but later than the priority date claimed	

Date of the actual completion of the international search  
07 November 2008 (07.11.2008)

Date of mailing of the international search report  
**25 NOV 2008**

Name and mailing address of the ISA/US  
Mail Stop PCT, Attn: ISA/US, Commissioner for Patents  
P.O. Box 1450, Alexandria, Virginia 22313-1450  
Facsimile No. 571-273-3201

Authorized officer:  
Lee W. Young

PCT Helpdesk: 571-272-4300  
PCT OSP: 571-272-7774