

(19) World Intellectual Property Organization
International Bureau



(43) International Publication Date
23 December 2009 (23.12.2009)

(10) International Publication Number
WO 2009/154787 A3

(51) International Patent Classification:
G08G 1/14 (2006.01) *G08G 1/04* (2006.01)

(21) International Application Number:
PCT/US2009/003682

(22) International Filing Date:
19 June 2009 (19.06.2009)

(25) Filing Language: English

(26) Publication Language: English

(30) Priority Data:
PCT/US08/07727 19 June 2008 (19.06.2008) US
61/197,214 23 October 2008 (23.10.2008) US

(72) Inventors; and

(71) Applicants : FIORUCCI, Jean-Louis [FR/FR]; Le Riviera Palace Bat. E, 39 Ter Bd De Cimiez, F-06000 Nice (FR). ROWE, Rick [US/US]; 2217 Green Mountain Court, Las Vegas, NV 89135 (US).

(74) Agent: TAN, Arthur, Pin; Weide & Miller, Ltd., 7251 West Lake Mead Blvd., Ste. 530, Las Vegas, NV 89128 (US).

(81) Designated States (unless otherwise indicated, for every kind of national protection available): AE, AG, AL, AM, AO, AT, AU, AZ, BA, BB, BG, BH, BR, BW, BY, BZ, CA, CH, CL, CN, CO, CR, CU, CZ, DE, DK, DM, DO,

DZ, EC, EE, EG, ES, FI, GB, GD, GE, GH, GM, GT, HN, HR, HU, ID, IL, IN, IS, JP, KE, KG, KM, KN, KP, KR, KZ, LA, LC, LK, LR, LS, LT, LU, LY, MA, MD, ME, MG, MK, MN, MW, MX, MY, MZ, NA, NG, NI, NO, NZ, OM, PE, PG, PH, PL, PT, RO, RS, RU, SC, SD, SE, SG, SK, SL, SM, ST, SV, SY, TJ, TM, TN, TR, TT, TZ, UA, UG, US, UZ, VC, VN, ZA, ZM, ZW.

(84) Designated States (unless otherwise indicated, for every kind of regional protection available): ARIPO (BW, GH, GM, KE, LS, MW, MZ, NA, SD, SL, SZ, TZ, UG, ZM, ZW), Eurasian (AM, AZ, BY, KG, KZ, MD, RU, TJ, TM), European (AT, BE, BG, CH, CY, CZ, DE, DK, EE, ES, FI, FR, GB, GR, HR, HU, IE, IS, IT, LT, LU, LV, MC, MK, MT, NL, NO, PL, PT, RO, SE, SI, SK, TR), OAPI (BF, BJ, CF, CG, CI, CM, GA, GN, GQ, GW, ML, MR, NE, SN, TD, TG).

Published:

- with international search report (Art. 21(3))
- before the expiration of the time limit for amending the claims and to be republished in the event of receipt of amendments (Rule 48.2(h))

(88) Date of publication of the international search report:
11 March 2010

(54) Title: PARKING LOCATOR SYSTEM INCLUDING VEHICLE AND USER IDENTIFIERS

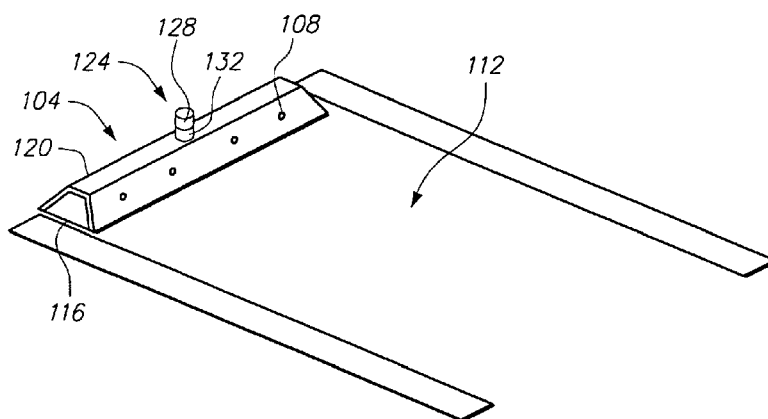


FIG. 1

(57) Abstract: A parking locator (104) having one or more sensors (108) and a logic device (504) is disclosed herein. The sensors (108) are generally configured to detect the presence of an object within a parking space (112). The logic device (504) determines whether a vehicle is present within a parking space based on information from the sensors and may communicate this to one or more external devices. The parking locator includes a body (120) to which the one or more sensors and logic device are attached. The body may conform to a parking header (116) or curb. Parking locators may be configured in a parking locator system (720) comprising clusters (708) of one or more parking locators which communicate to a location server (712) or other external device. The location server may organize and store parking information and communicate parking information to user devices.



WO 2009/154787 A3

A. CLASSIFICATION OF SUBJECT MATTER**G08G 1/14(2006.01)i, G08G 1/04(2006.01)i**

According to International Patent Classification (IPC) or to both national classification and IPC

B. FIELDS SEARCHED

Minimum documentation searched (classification system followed by classification symbols)

G08G 1/14; G08G 1/04; G06K 17/00; G06Q 50/00B0; G07B 15/00

Documentation searched other than minimum documentation to the extent that such documents are included in the fields searched

Korean utility models and applications for utility models
Japanese utility models and applications for utility models
(Chinese Patents and application for patent)

Electronic data base consulted during the international search (name of data base and, where practicable, search terms used)

eKOMPASS(KIPO internal) & Keywords: RFID, tag, sensor, detect, parking, vehicle, presence

C. DOCUMENTS CONSIDERED TO BE RELEVANT

Category*	Citation of document, with indication, where appropriate, of the relevant passages	Relevant to claim No.
Y	US 2008-0030373 A1 (PHIL MONTGOMERY) 07 February 2008 See abstract, paragraph [0017], claims 1-14 and figures 3-7	1
Y	KR 10-2007-0092548 A (LG INNOTEK CO., LTD.) 13 September 2007 See abstract, claims 1-18 and figures 1-2	1
Y	US 2004-0252034 A1 (SLEMMER JOHN BLAKE et al.) 16 December 2004 See abstract, claims 1-37 and figures 3-9	1
A	KR 10-0778618 B1 (SAMSUNG SDS CO., LTD.) 22 November 2007 See abstract, claim 1 and figures 1-3	1
A	KR 10-2007-0091704 A (SK TELECOM CO., LTD.) 12 September 2007 See abstract, claim 1 and figures 1-8	1

 Further documents are listed in the continuation of Box C. See patent family annex.

* Special categories of cited documents:

"A" document defining the general state of the art which is not considered to be of particular relevance

"E" earlier application or patent but published on or after the international filing date

"L" document which may throw doubts on priority claim(s) or which is cited to establish the publication date of citation or other special reason (as specified)

"O" document referring to an oral disclosure, use, exhibition or other means

"P" document published prior to the international filing date but later than the priority date claimed

"T" later document published after the international filing date or priority date and not in conflict with the application but cited to understand the principle or theory underlying the invention

"X" document of particular relevance; the claimed invention cannot be considered novel or cannot be considered to involve an inventive step when the document is taken alone

"Y" document of particular relevance; the claimed invention cannot be considered to involve an inventive step when the document is combined with one or more other such documents, such combination being obvious to a person skilled in the art

"&" document member of the same patent family

Date of the actual completion of the international search

21 JANUARY 2010 (21.01.2010)

Date of mailing of the international search report

21 JANUARY 2010 (21.01.2010)

Name and mailing address of the ISA/KR

Korean Intellectual Property Office
Government Complex-Daejeon, 139 Seonsa-ro, Seo-gu,
Daejeon 302-701, Republic of Korea

Facsimile No. 82-42-472-7140

Authorized officer

LEE, HYEON HONG

Telephone No. 82-42-481-8527



INTERNATIONAL SEARCH REPORT

Information on patent family members

International application No.

PCT/US2009/003682

Patent document cited in search report	Publication date	Patent family member(s)	Publication date
US 2008-0030373 A1	07.02.2008	None	
KR 10-2007-0092548 A	13.09.2007	None	
US 2004-0252034 A1	16.12.2004	US 2006-0170566 A1 US 7026954 B2 US 7135991 B2	03.08.2006 11.04.2006 14.11.2006
KR 10-0778618 B1	22.11.2007	W0 2008-060016 A1	22.05.2008
KR 10-2007-0091704 A	12.09.2007	None	