

(12) INTERNATIONAL APPLICATION PUBLISHED UNDER THE PATENT COOPERATION TREATY (PCT)

(19) World Intellectual Property
Organization
International Bureau

(43) International Publication Date
15 July 2021 (15.07.2021)



(10) International Publication Number
WO 2021/141551 A1

(51) International Patent Classification:

A47C 19/02 (2006.01) G09F 23/00 (2006.01)

(21) International Application Number:

PCT/TR2020/050155

(22) International Filing Date:

27 February 2020 (27.02.2020)

(25) Filing Language:

Turkish

(26) Publication Language:

English

(30) Priority Data:

2020/00149 06 January 2020 (06.01.2020) TR

(71) Applicant: **TASKIRANLAR HALI PAZARLAMA MOBILYA INSAAT SANAYI VE TICARET ANONIM SIRKETI** [TR/TR]; Yesilova Mah. Kamil Tunca Cad. 273 A, Bornova/İzmir (TR).

(72) Inventor: **TASGIRAN, Ismet**; Karaagacli Mah. Ali Kavkas Cad. No:10, Sehzadeler/Manisa (TR).

(74) Agent: **FULYA SUMERALP- SIMAJ PATENT CONSULTING LIMITED**; Mutlukent Mahallesi 1933. Cadde No:8, 06810 Çankaya/Ankara (TR).

(81) Designated States (unless otherwise indicated, for every kind of national protection available): AE, AG, AL, AM, AO, AT, AU, AZ, BA, BB, BG, BH, BN, BR, BW, BY, BZ,

CA, CH, CL, CN, CO, CR, CU, CZ, DE, DJ, DK, DM, DO, DZ, EC, EE, EG, ES, FI, GB, GD, GE, GH, GM, GT, HN, HR, HU, ID, IL, IN, IR, IS, JO, JP, KE, KG, KH, KN, KP, KR, KW, KZ, LA, LC, LK, LR, LS, LU, LY, MA, MD, ME, MG, MK, MN, MW, MX, MY, MZ, NA, NG, NI, NO, NZ, OM, PA, PE, PG, PH, PL, PT, QA, RO, RS, RU, RW, SA, SC, SD, SE, SG, SK, SL, ST, SV, SY, TH, TJ, TM, TN, TR, TT, TZ, UA, UG, US, UZ, VC, VN, WS, ZA, ZM, ZW.

(84) Designated States (unless otherwise indicated, for every kind of regional protection available): ARIPO (BW, GH, GM, KE, LR, LS, MW, MZ, NA, RW, SD, SL, ST, SZ, TZ, UG, ZM, ZW), Eurasian (AM, AZ, BY, KG, KZ, RU, TJ, TM), European (AL, AT, BE, BG, CH, CY, CZ, DE, DK, EE, ES, FI, FR, GB, GR, HR, HU, IE, IS, IT, LT, LU, LV, MC, MK, MT, NL, NO, PL, PT, RO, RS, SE, SI, SK, SM, TR), OAPI (BF, BJ, CF, CG, CI, CM, GA, GN, GQ, GW, KM, ML, MR, NE, SN, TD, TG).

Declarations under Rule 4.17:

- as to the identity of the inventor (Rule 4.17(i))
- as to applicant's entitlement to apply for and be granted a patent (Rule 4.17(ii))
- as to the applicant's entitlement to claim the priority of the earlier application (Rule 4.17(iii))
- of inventorship (Rule 4.17(iv))

(54) Title: A BED HEADBOARD

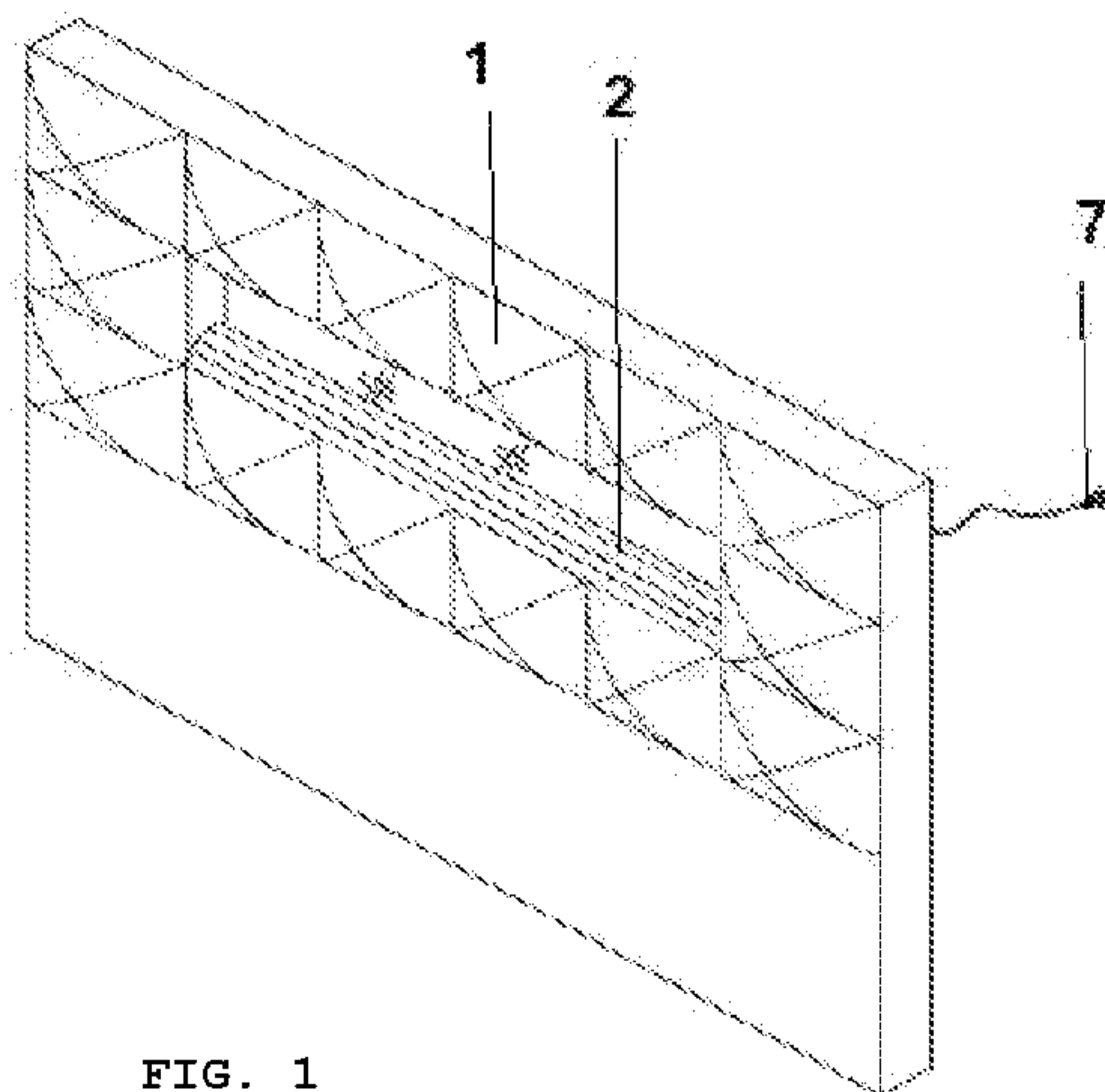


FIG. 1

(57) Abstract: The invention relates to a bed headboard with visual effect developed for the purpose of presenting visually diversified headboards in the furniture industry. The headboard comprises in general a panel body (1), an opening (2) located on at least a part of the panel body (1) and forming a frame, within the opening (2); visual materials providing visual effect, more than one lighting unit (5), more than one fan (6) and a transparent structure closing the opening (2) part such that it aligns with the panel body (1) or electric plasma fireplace and a control panel (4) that is located on the surface of the panel body (1), and more than one fixing element (3) for fixing the material placed in the opening (2) part.

[Continued on next page]

WO 2021/141551 A1

Published:

— *with international search report (Art. 21(3))*

A BED HEADBOARD

Field of the Invention

The invention relates to a bed headboard with visual effects and/or heating function developed in the field of headboards within the furniture industry.

State of the Art

Spatial features have a major impact on one's psychological condition since people spend most of their time in indoor spaces. Accordingly, when an indoor structure is designed, many factors, such as color, lighting, materials to be used etc. are taken into account and a great deal of effort is made to create environments where one can relax and enjoy spending time.

In the furniture industry, many products that is appealing to the eyes and have an aesthetic structure are produced in order to offer diversity for living spaces. However, headboards, the most important visual component of bed assemblies in bedroom spaces are generally produced in a uniform type or single pattern and the number of alternatives are limited. Therefore, there is a need to increase the visual diversity in headboard components and thereby to offer more alternatives. In addition to the visual variety, headboards should be developed to have different functions (such as heating, lighting).

In the present art, there are efforts to provide visual variety and different functions to the headboards.

An example of the state of the art is the utility model TR2019/10768. The document relates to a headboard with switchable visuals that is used particularly for visually diversifying the children beds. The said headboard comprises a piece (fabric, paper), wrapped in the top and bottom rollers that are mounted on the back part and contains a visual that can tour around the rollers located at the top and bottom when pulled from the visual element's handle. The headboard of the said document is based on the principle of a visual advertising board, which rotates around a roller system. In the said headboard with switchable visuals, the visual may be changed, however it is not possible to obtain visuals in the kind of a simulation, effect, etc. Also, the quality of the visual is limited by the resolution of the image used. This document does not mention the use of any screens in the headboards.

Accordingly, when the headboards mentioned in the technical documents are reviewed, one can appreciate that the above mentioned need in the field has not been met yet. In order to meet this need, it is necessary to develop a headboard with increased visual diversity and different functions.

Detailed Description of the Invention

The invention relates to a headboard with a visual in the kind of a simulation or effect, or an electrical plasma fireplace.

An object of the invention is to diversify the headboards in the furniture industry both visually and functionally. In line with this object, there is a screen on the headboard body, and this screen comprises a visual in the kind of a simulation or effect. Besides the visual effect, it also has a heating function.

In general, the invention relates to a bed headboard assembly that provides a visual effect, wherein the headboard comprises

- a panel body (1),
- an opening (2) that forms a frame, which is located on at least one part of the panel body (1),
- within the opening (2);
- visual materials providing visual effect, more than one lighting unit (5), more than one fan (6) and a transparent structure closing the opening (2) part such that it aligns with the panel body (1), or
- an electric plasma fireplace, and
- a control panel (4) that is located on the surface of the panel body (1) for controlling the visual material or electric plasma fireplace contained in the opening (2),
- more than one fixing element (3) for fixing the material placed within the opening (2) part.

A transparent structure is used to make the visual materials in the opening (2) contained in the headboard of the invention visible. In an embodiment of the invention, the said structure is glass.

In one embodiment of the invention, a transparent structure is placed within a frame body and preferably in a rectangular area on the body, and mounted to the frame body with fixing elements (3) on the back thereof.

In one embodiment of the invention, the fixing elements (3) comprise a metal material.

In one embodiment of the invention, an electric cable (7) outlet is provided on the back of the headboard for providing the electrical assembly.

In one embodiment of the invention, the visual materials within the opening (2) located on the back of the transparent structure is illuminated with the lighting unit (5) and moved by means of fans (6). In this embodiment, within the opening (2), there may be a decorative aquarium, at least one fan unit with heating and/or cooling function, decorative terrariums, hologram screens providing three-dimensional images or digital display panels.

In one embodiment of the invention, the control panel (4) can be controlled by a remote control. In this case, the control panel (4) can be controlled remotely.

In one embodiment of the invention, the width and depth of the opening (2) part vary according to the size of the screen/material to be placed therein.

In one embodiment of the invention, the opening (2) has a rectangular shape.

In one embodiment of the invention, the screen has both a visual effect and a heating feature. In this embodiment, electric plasma fireplace or fans (6) with heating function are used.

In one embodiment of the invention, when the headboard includes an electric plasma fireplace; the control panel (4) allows controlling of the features such as opening and closing of the plasma fireplace and changing its temperature setting.

In one embodiment of the invention, when the headboard includes a visual material, lighting units (5) and fans (6); the operation of the lighting units (5) and fans (6) is controlled by means of the control panel (4).

In brief, the invention relates to a bed headboard providing visual effects, wherein it comprises a panel body (1), an opening (2) located on at least one part of the panel body (1) and forming a frame, within the opening (2); visual materials providing visual effects, more than one lighting unit (5), more than one fan (6) and a transparent structure closing the opening (2) part such that it aligns with the panel body (1) or electric plasma fireplace and a control panel (4) that is located on the surface of the panel body (1) for controlling the visual material or electric plasma fireplace contained in the opening (2), more than one fixing element (3) for fixing the material placed in the opening (2) part.

An article of furniture manufacture containing the bed headboard of the invention is also within the scope of protection of the invention.

Different visual effects are obtained with the headboard of the invention. Also in one embodiment, a visual that is close to the image of a real fireplace is obtained on the headboard. In summer, the said headboard may be used only visually with a flame effect, and in winter, the heating feature can be activated along with the visual effect.

Explanation of the Figures

FIG. 1 Front View of The Headboard of The Invention

FIG. 2 Rear View of The Headboard of The Invention

Explanation of Reference Numbers in Figures

1. Panel body
2. Opening
3. Fixing element
4. Control panel
5. Lighting unit
6. Fan
7. Electric cable

CLAIMS

1. A bed headboard providing a visual effect, characterized by comprising;
 - a panel body (1),
 - an opening (2) that forms a frame, which is located on at least one part of the panel body (1),
 - within the opening (2);
 - visual materials providing visual effect, more than one lighting unit (5), more than one fan (6) and a transparent structure closing the opening (2) part such that it aligns with the panel body (1), or
 - an electric plasma fireplace, and
 - a control panel (4) that is located on the surface of the panel body (1) for controlling the visual material or electric plasma fireplace contained in the opening (2),
 - more than one fixing element (3) for fixing the material placed within the opening (2) part.
2. The bed headboard according to claim 1, wherein it comprises a control panel (4) which is controlled remotely.
3. The bed headboard according to claim 1, wherein it comprises at least one fan (6) unit with a heating and/or cooling function within the opening (2).
4. The bed headboard according to claim 1, wherein the fixing elements (3) comprise a metal material.
5. The bed headboard according to claim 1, wherein the visual material is a decorative aquarium, decorative terrarium,

hologram screen providing three-dimensional images or digital display panel.

6. The bed headboard according to claim 1, wherein it comprises an electric cable (7) outlet for providing the electrical assembly.
7. An article of furniture manufacture comprising a bed headboard according to any one of claims 1 to 6.

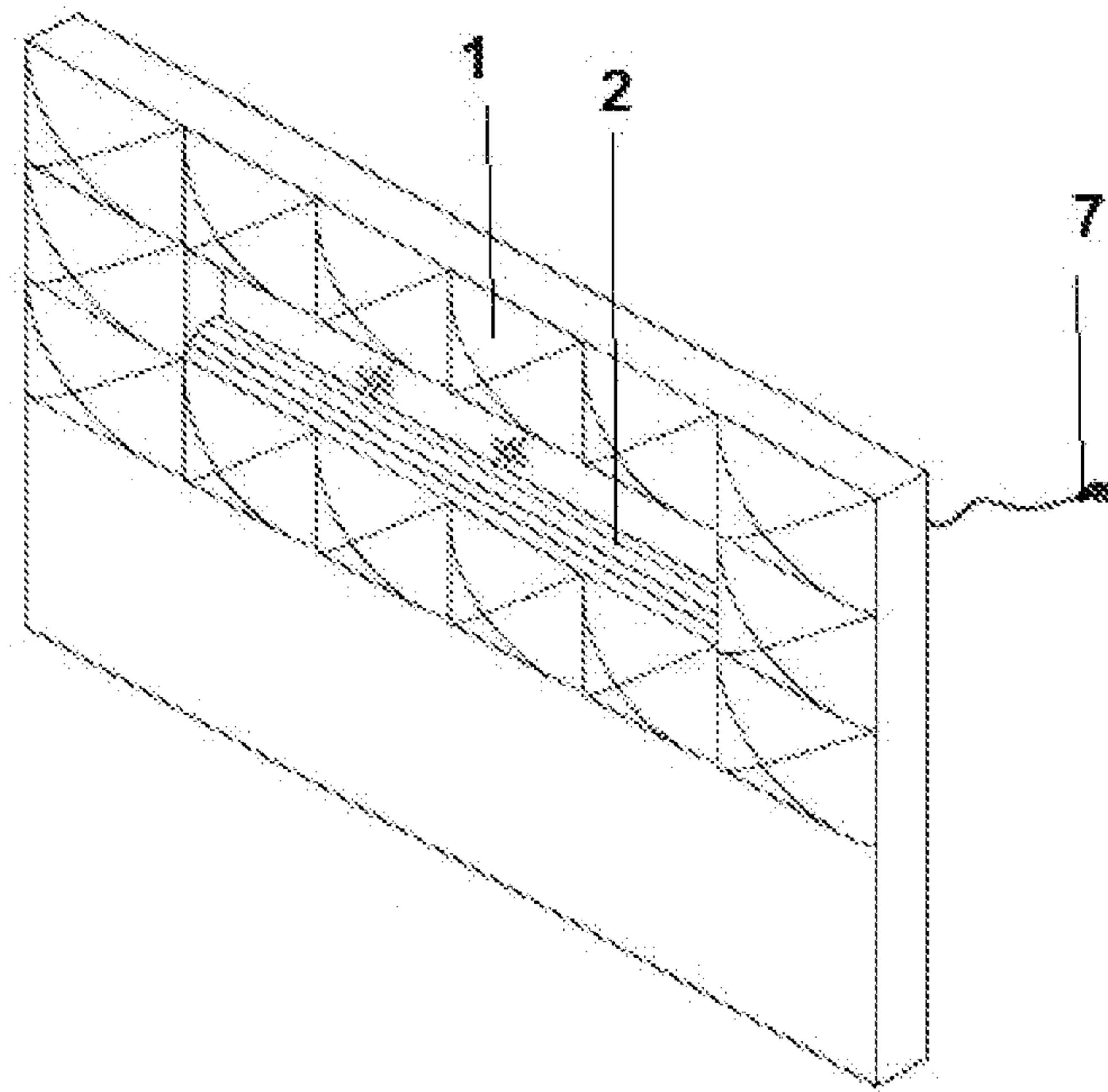


FIG. 1

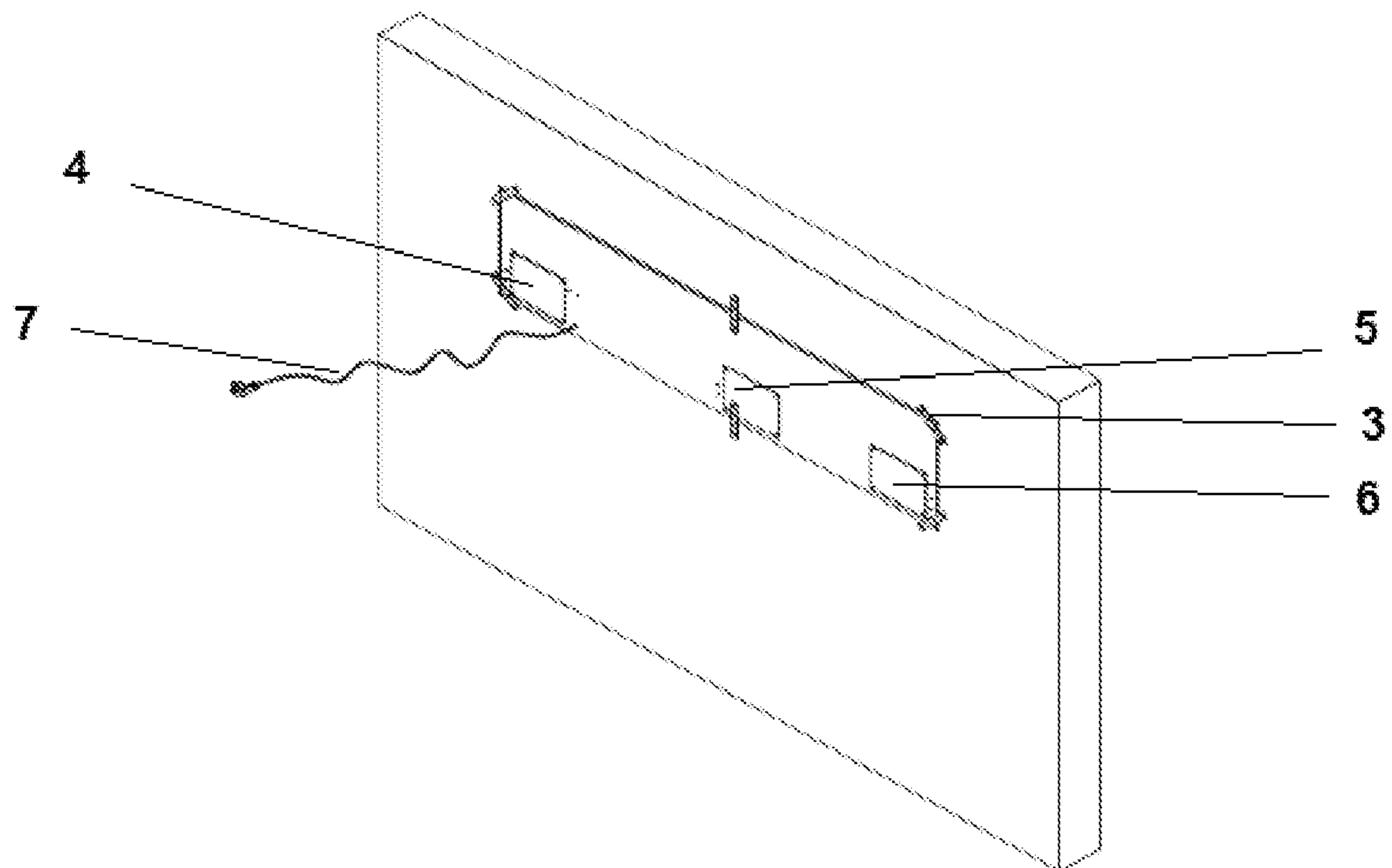


FIG. 2

INTERNATIONAL SEARCH REPORT

International application No.

PCT/TR2020/050155

A. CLASSIFICATION OF SUBJECT MATTER A47C 19/02 (2006.01)i; G09F 23/00 (2006.01) According to International Patent Classification (IPC) or to both national classification and IPC		
B. FIELDS SEARCHED Minimum documentation searched (classification system followed by classification symbols) A47C 19/02; G09F 23/00 Documentation searched other than minimum documentation to the extent that such documents are included in the fields searched Electronic data base consulted during the international search (name of data base and, where practicable, search terms used) WPI, EPODOC		
C. DOCUMENTS CONSIDERED TO BE RELEVANT		
Category*	Citation of document, with indication, where appropriate, of the relevant passages	Relevant to claim No.
X	GB 2200837 A (NEAL KEITH EDWARD) 17 August 1988 (1988-08-17) Abstract; Page 1 line 18-28, Page 2 line 1-14	1-7
X	CN 107467956 A (FOSHAN TIANYICHENG ENVIRONMENTAL PROTECTION TECH CO LTD) 15 December 2017 (2017-12-15) Abstract, Figures	1-7
X	CN 106263786 A (HUNAN XINHUIFAN INTELLIGENT TECH CO LTD) 04 January 2017 (2017-01-04) Abstract, Figures	1-7
X	GB 2119497 A (STODDARD RICHARD EDWARD) 16 November 1983 (1983-11-16) Abstract, Figures	1-7
A	CN 107836908 A (WU ANJIE) 27 March 2018 (2018-03-27) The Whole Document	1-7
<input type="checkbox"/> Further documents are listed in the continuation of Box C. <input type="checkbox"/> See patent family annex.		
<p>* Special categories of cited documents:</p> <p>“A” document defining the general state of the art which is not considered to be of particular relevance</p> <p>“E” earlier application or patent but published on or after the international filing date</p> <p>“L” document which may throw doubts on priority claim(s) or which is cited to establish the publication date of another citation or other special reason (as specified)</p> <p>“O” document referring to an oral disclosure, use, exhibition or other means</p> <p>“P” document published prior to the international filing date but later than the priority date claimed</p> <p>“T” later document published after the international filing date or priority date and not in conflict with the application but cited to understand the principle or theory underlying the invention</p> <p>“X” document of particular relevance; the claimed invention cannot be considered novel or cannot be considered to involve an inventive step when the document is taken alone</p> <p>“Y” document of particular relevance; the claimed invention cannot be considered to involve an inventive step when the document is combined with one or more other such documents, such combination being obvious to a person skilled in the art</p> <p>“&” document member of the same patent family</p>		
Date of the actual completion of the international search 16 October 2020		Date of mailing of the international search report 16 October 2020
Name and mailing address of the ISA/TR Turkish Patent and Trademark Office (Turkpatent) Hipodrom Caddesi No. 13 06560 Yenimahalle Ankara Turkey Telephone No. (90-312) 303 11 82 Facsimile No. +903123031220		Authorized officer Tankut GENÇ Telephone No.