



US00D976763S

(12) **United States Design Patent**  
**Ambrose et al.**

(10) **Patent No.:** **US D976,763 S**

(45) **Date of Patent:** **\*\* Jan. 31, 2023**

(54) **ROLLATOR**

(71) Applicant: **Drive DeVilbiss Healthcare**, Port Washington, NY (US)

(72) Inventors: **Benjamin Ambrose**, Wetherby (GB); **Jordan Martin**, Halifax (GB); **Olivia Whitmore**, Newcastle-under-Lyme (GB); **Samuel Thompson**, Wensley (GB); **Elizabeth Natale**, Littleton, CO (US)

(73) Assignee: **Drive DeVilbiss Healthcare**, Port Washington, NY (US)

(\*\*) Term: **15 Years**

(21) Appl. No.: **29/770,270**

(22) Filed: **Feb. 10, 2021**

(51) **LOC (14) Cl.** ..... **12-12**

(52) **U.S. Cl.**  
USPC ..... **D12/130**

(58) **Field of Classification Search**  
USPC ..... D12/130  
CPC ..... A61H 3/00; A61H 3/04; A61H 2003/001-007; A61H 2003/043; A61H 2003/046

See application file for complete search history.

(56) **References Cited**

**U.S. PATENT DOCUMENTS**

3,877,505	A	4/1975	Besuden et al.
4,869,279	A	9/1989	Hedges
5,275,473	A	1/1994	Hicks
5,284,350	A	2/1994	Geiger et al.
5,328,183	A	7/1994	Counts
5,358,204	A	10/1994	Terada
5,533,793	A	7/1996	Walker
5,984,245	A	11/1999	Hsu
6,050,582	A	4/2000	Horacek

6,241,275	B1	6/2001	Slagerman
6,367,823	B1	4/2002	Miyagi
6,463,825	B2	10/2002	Lee
6,563,035	B2	5/2003	Hsieh
6,817,451	B1	11/2004	Chen
D501,432	S	2/2005	Møller
6,923,416	B1	8/2005	Hsieh
7,368,647	B2	5/2008	Hsieh
7,384,058	B2	6/2008	Munsey et al.
7,410,179	B2	8/2008	Lonkvist
7,559,560	B2	7/2009	Li et al.
8,240,437	B2	8/2012	Liljedahl
8,544,516	B2	10/2013	Mariman et al.
8,628,108	B2	1/2014	Gingras et al.

(Continued)

**FOREIGN PATENT DOCUMENTS**

CA	2594566	A1	1/2009
CA	2837594	A1	6/2015

(Continued)

*Primary Examiner* — Charles D Hanson

(74) *Attorney, Agent, or Firm* — Moyles IP, LLC; Bradley J. Shelowitz

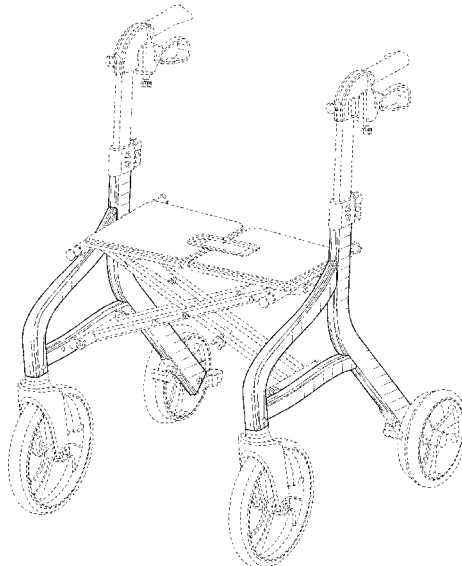
(57) **CLAIM**

The ornamental design for a rollator, as shown and described.

**DESCRIPTION**

FIG. 1 is a front, perspective view of a rollator in accordance with the present design;  
FIG. 2 is a front side view thereof;  
FIG. 3 is a rear side view thereof;  
FIG. 4 is a right side view thereof;  
FIG. 5 is a left side view thereof;  
FIG. 6 is a top plan view thereof; and,  
FIG. 7 is a bottom plan view thereof.  
The broken lines shown in the drawings illustrate portions of the rollator that form no part of the claimed design.

**1 Claim, 7 Drawing Sheets**



(56)

References Cited

U.S. PATENT DOCUMENTS

D699,634 S 2/2014 Wu  
 8,646,804 B2 2/2014 Derks et al.  
 8,708,363 B1 4/2014 Chang  
 8,840,125 B2 9/2014 Huang  
 8,998,223 B2 4/2015 Chang  
 D739,314 S 9/2015 Wang et al.  
 9,221,433 B2 12/2015 Dunlap  
 9,381,132 B2 7/2016 Chen  
 9,474,203 B2 10/2016 Anderson et al.  
 9,643,454 B2 5/2017 Kumar et al.  
 9,731,562 B2 8/2017 Smith et al.  
 9,821,827 B2 11/2017 Kindberg  
 9,839,571 B2 12/2017 Pan  
 9,854,734 B2 1/2018 Phely et al.  
 9,877,889 B2 1/2018 Chen  
 D819,503 S 6/2018 Huang  
 D836,499 S \* 12/2018 Delatorre ..... D12/130  
 D837,697 S \* 1/2019 Luo ..... D12/130  
 D840,877 S \* 2/2019 Michelena ..... D12/130  
 D845,841 S 4/2019 No-Young  
 D865,575 S \* 11/2019 Lin ..... D12/130  
 10,485,724 B2 11/2019 Schaaper et al.  
 D869,347 S \* 12/2019 Huang ..... D12/130  
 D874,351 S 2/2020 Fellingham et al.  
 10,555,866 B2 2/2020 Pan et al.  
 10,618,349 B2 4/2020 Johnson  
 10,667,967 B2 6/2020 Horacek  
 10,667,968 B2 6/2020 Ueda et al.  
 10,675,207 B2 6/2020 VanAusdall  
 D897,243 S \* 9/2020 Tsai ..... D12/130  
 D897,244 S \* 9/2020 Tangen ..... D12/130  
 D902,791 S \* 11/2020 Fellingham ..... D12/130  
 D926,640 S \* 8/2021 Huang ..... D12/130  
 D940,601 S \* 1/2022 Li ..... D12/130  
 D941,193 S \* 1/2022 Cheng ..... D12/130  
 D943,464 S \* 2/2022 Pinghua ..... D12/130  
 D943,466 S \* 2/2022 Tangen ..... D12/133  
 D944,128 S \* 2/2022 FitzPatrick ..... D12/130  
 D953,210 S \* 5/2022 Lu ..... D12/130

D962,129 S \* 8/2022 Delatorre ..... D12/130  
 2004/0021299 A1 2/2004 Tsai  
 2005/0077760 A1 4/2005 Smith  
 2005/0121566 A1 6/2005 Hennessey et al.  
 2007/0267835 A1 11/2007 Huang  
 2017/0354564 A1 \* 12/2017 Dirauf ..... A61H 3/04  
 2020/0016933 A1 1/2020 Knotowicz et al.  
 2020/0078258 A1 3/2020 Kanaya et al.

FOREIGN PATENT DOCUMENTS

CN 210844117 U 6/2020  
 DE 8614849 U1 8/1986  
 DE 9218713 U1 4/1995  
 DE 102010031954 A1 1/2012  
 DE 202012100468 U1 3/2012  
 DE 202012100469 U1 3/2012  
 DE 202012100470 U1 3/2012  
 DE 202012103311 U1 9/2012  
 DE 102012000587 A1 7/2013  
 DE 202011110430 U1 12/2013  
 DE 202019101063 U1 4/2019  
 EP 1238824 A1 9/2002  
 EP 1824724 A2 8/2007  
 EP 1931295 A1 6/2008  
 EP 2140846 A1 1/2010  
 EP 2328536 A1 6/2011  
 EP 2520266 A1 11/2012  
 EP 2535033 A1 12/2012  
 EP 2878290 A1 6/2015  
 EP 3095431 A1 11/2016  
 EP 3487464 A1 5/2019  
 GB 2424213 A 9/2006  
 WO 2007007811 A1 1/2007  
 WO 2007043268 A1 4/2007  
 WO 2016038671 A1 3/2016  
 WO 2018052306 A1 3/2018  
 WO 2018056829 A1 3/2018  
 WO 2020006790 A1 1/2020  
 WO 2020067902 A1 4/2020  
 WO 2020067903 A1 4/2020

\* cited by examiner

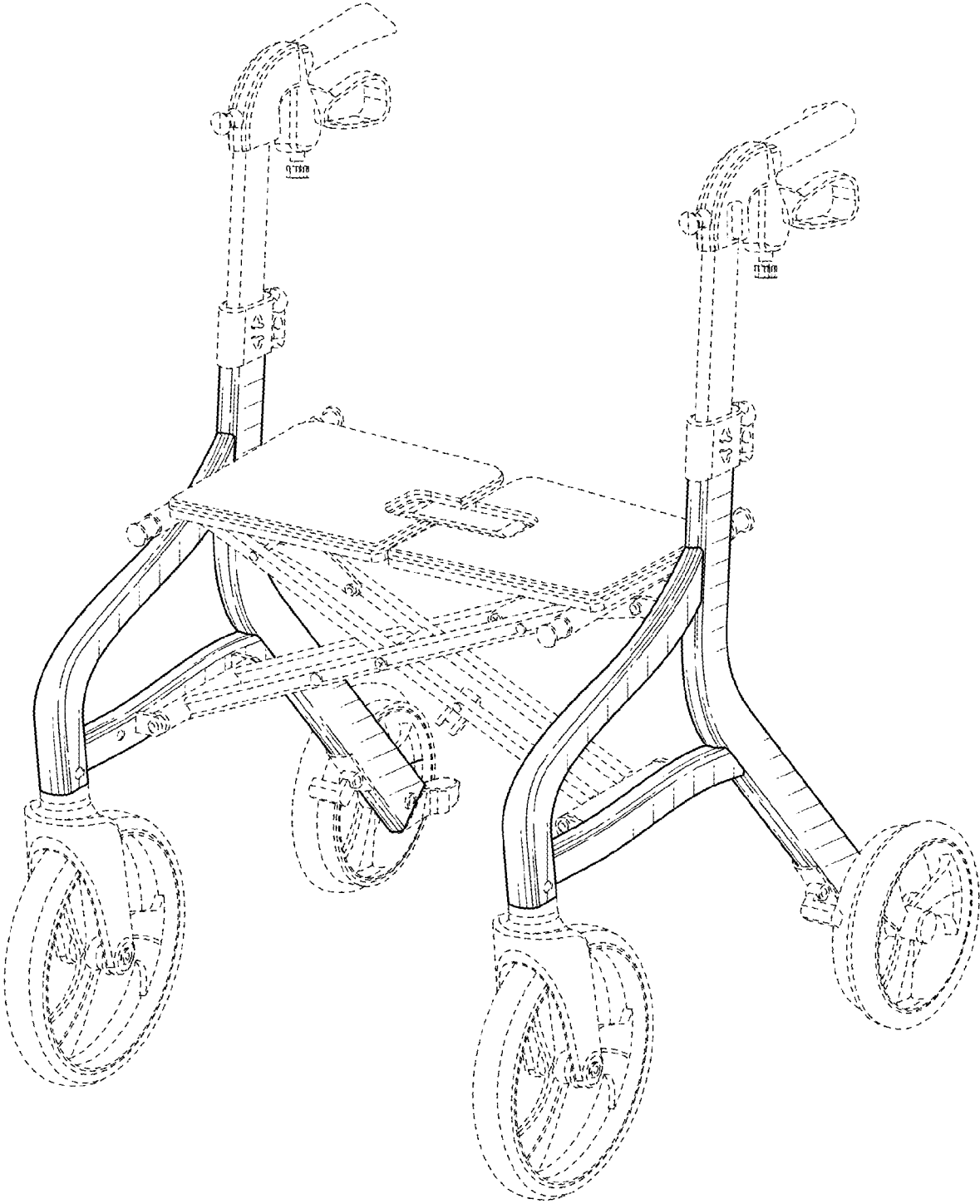


FIG. 1

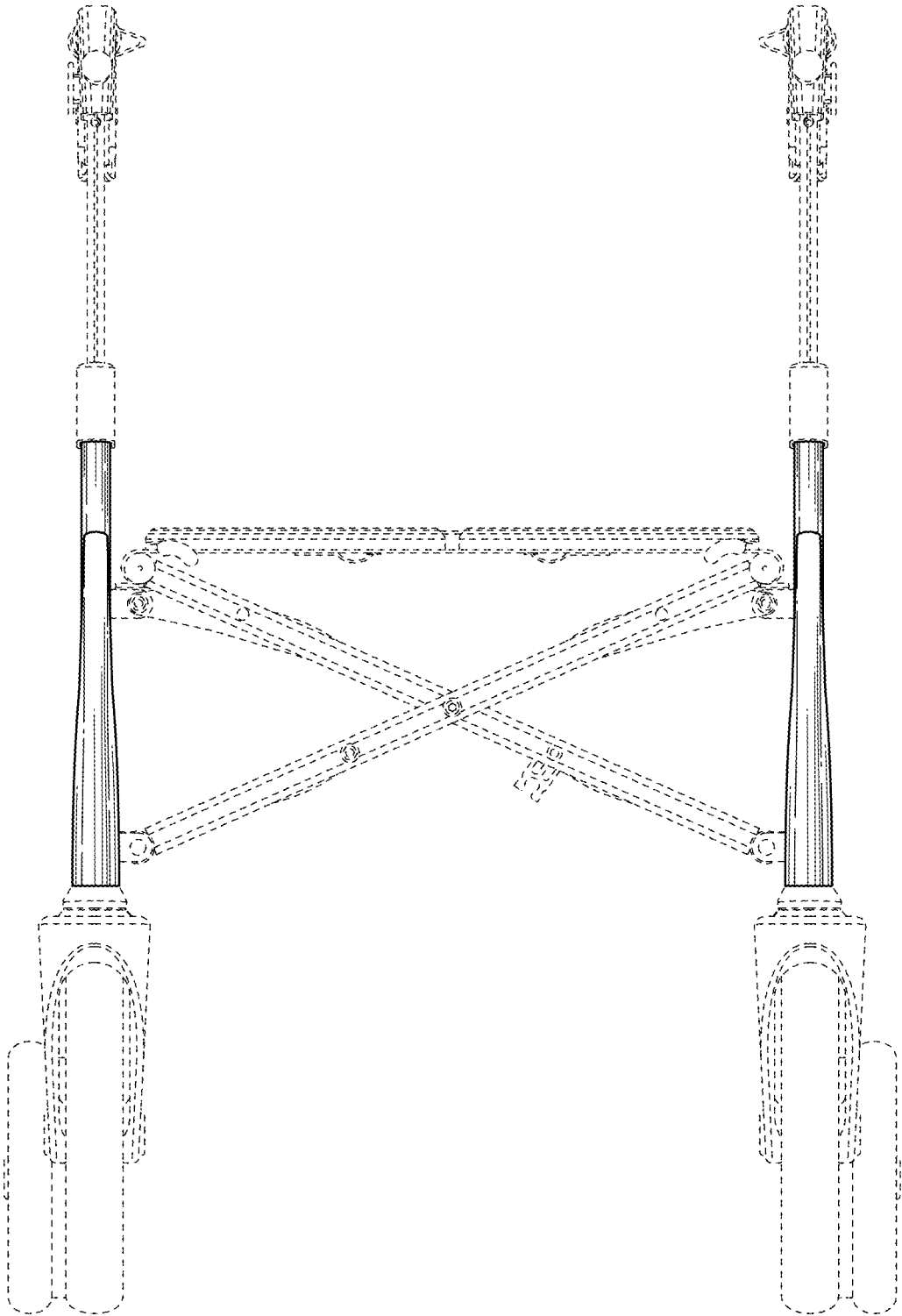


FIG. 2

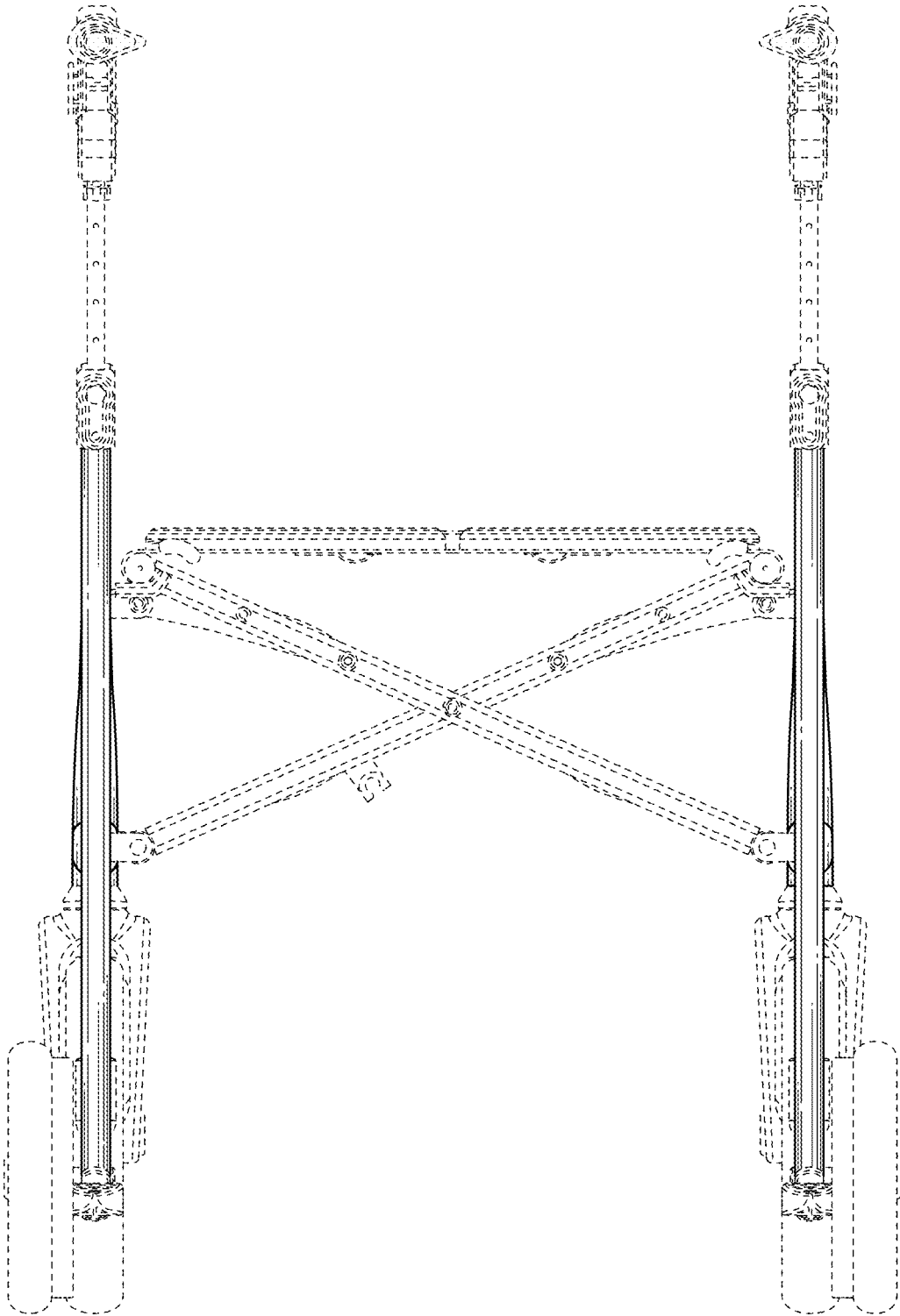


FIG. 3

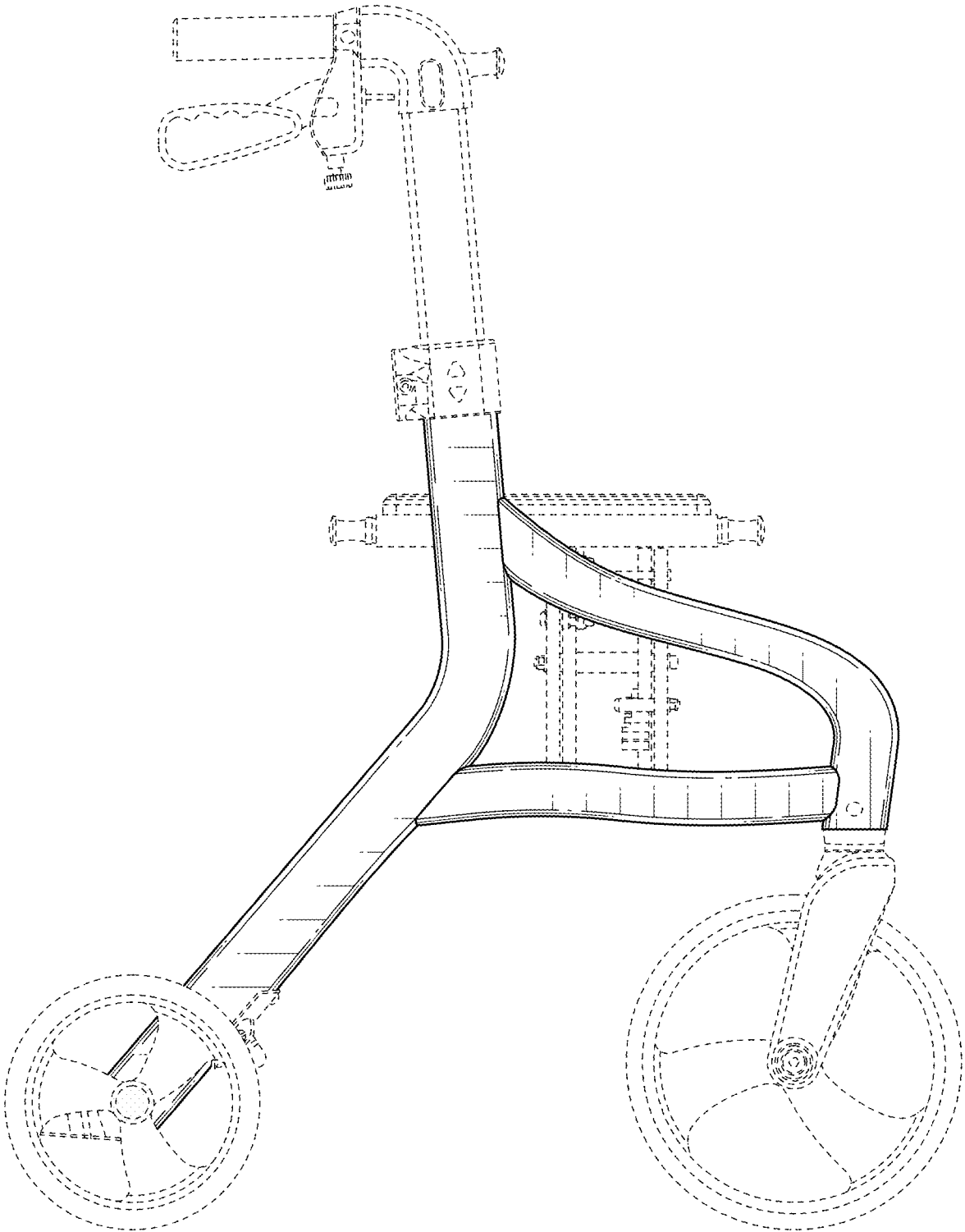


FIG. 4

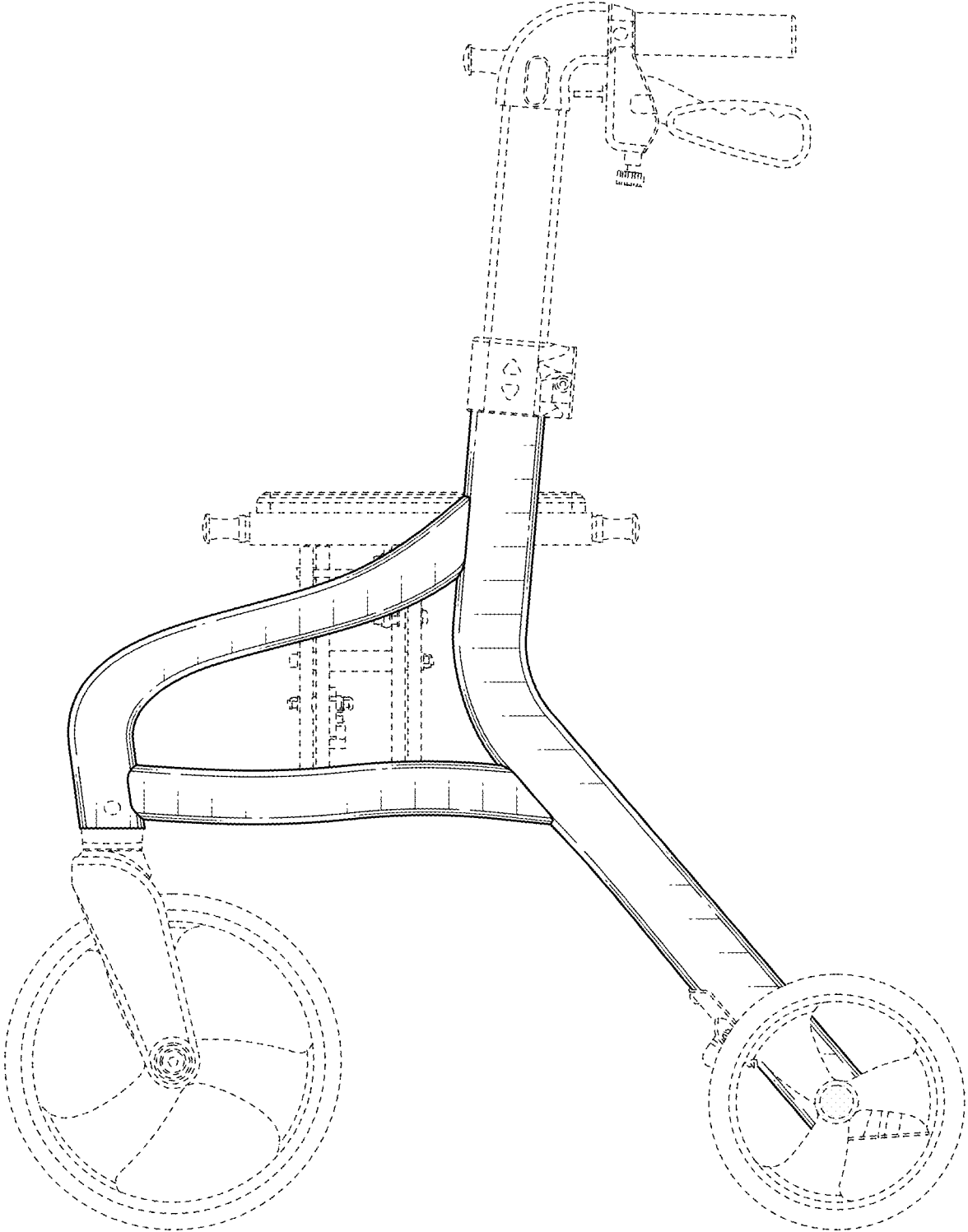


FIG. 5

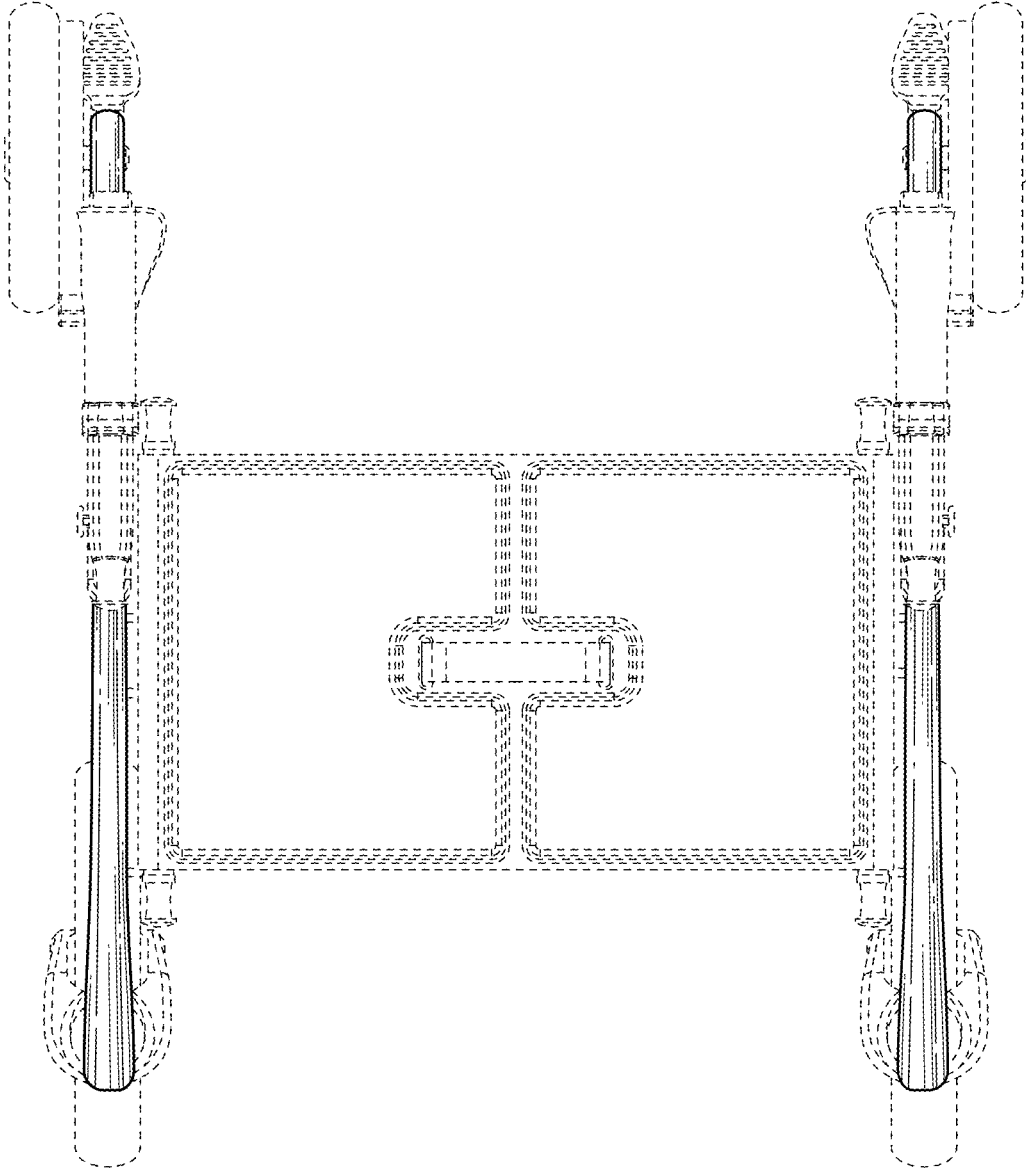


FIG. 6



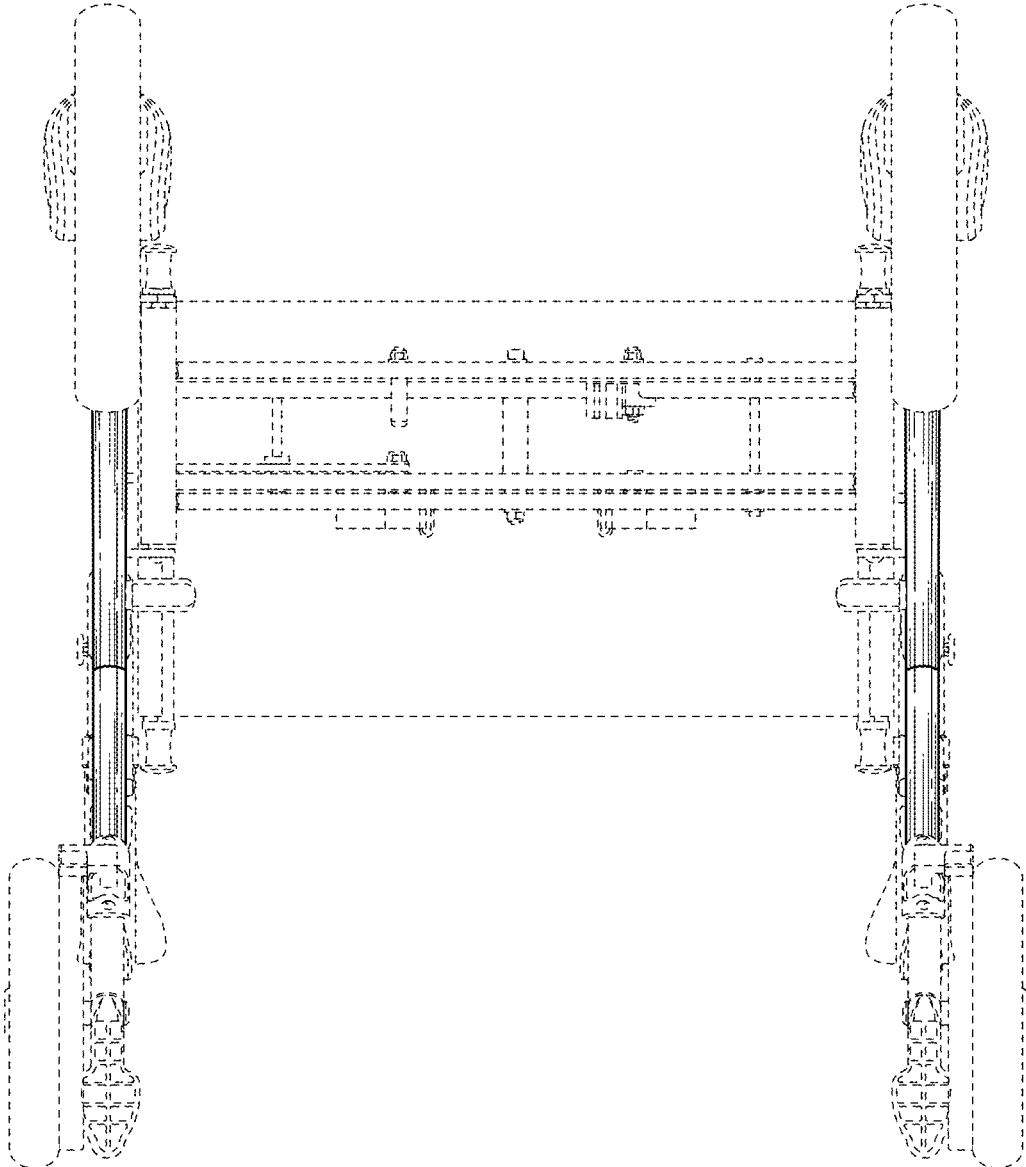


FIG. 7