



US00D831461S

(12) **United States Design Patent**
Jarrett

(10) **Patent No.:** **US D831,461 S**

(45) **Date of Patent:** **** Oct. 23, 2018**

(54) **CORD LOCK**

(71) Applicant: **Charissa Ann Jarrett**, San Antonio,
TX (US)

(72) Inventor: **Charissa Ann Jarrett**, San Antonio,
TX (US)

(**) Term: **15 Years**

(21) Appl. No.: **29/621,612**

(22) Filed: **Oct. 10, 2017**

(51) **LOC (11) Cl.** **08-07**

(52) **U.S. Cl.**
USPC **D8/333**

(58) **Field of Classification Search**
USPC D8/300-302, 331, 382, 383, 356, 394,
D8/395, 396, 333; D11/212, 215;
24/115 G, 115 M, 136 R; D2/978
CPC F16G 11/101; F16G 11/105; F16G 11/106;
A43C 7/04; A43C 1/00; A44B 11/06;
A45D 8/34

See application file for complete search history.

(56) **References Cited**

U.S. PATENT DOCUMENTS

| | | | | |
|-----------|------|---------|----------------|-------------------------|
| 3,074,135 | A | 1/1963 | Di Lorenzo | |
| 5,361,461 | A | 11/1994 | Anscher | |
| 5,778,904 | A | 7/1998 | Elsner | |
| 6,026,548 | A | 2/2000 | Jackson | |
| 6,053,921 | A * | 4/2000 | Wagner | A61B 17/82 606/103 |
| 6,182,672 | B1 | 2/2001 | Abasta-Douglas | |
| 6,189,186 | B1 | 2/2001 | Boden | |
| D465,408 | S * | 11/2002 | Man | D8/383 |
| 6,601,589 | B2 | 8/2003 | Ericks | |
| 7,140,078 | B2 * | 11/2006 | Watabe | F16G 11/101 24/115 G |
| D543,838 | S * | 6/2007 | Yoshiguchi | D8/373 |
| D551,067 | S * | 9/2007 | Kawamura | D8/383 |
| D560,477 | S * | 1/2008 | Yoshie | D8/383 |
| D560,478 | S * | 1/2008 | Yoshie | D8/383 |

| | | | | |
|-----------|------|---------|------------|-----------------------|
| D560,479 | S * | 1/2008 | Yoshie | D8/383 |
| 7,574,786 | B2 * | 8/2009 | Cheng | A43C 1/00 24/115 G |
| 7,621,279 | B1 * | 11/2009 | Anagnostou | A45D 8/34 132/144 |
| D615,391 | S * | 5/2010 | Kawaguchi | D8/383 |
| D630,090 | S | 1/2011 | Ishii | |

(Continued)

OTHER PUBLICATIONS

Website printed Oct. 6, 2017. BonBunz branded hair wraps available at <https://daphdaph.com/bon-bunz/dahlia-band-143.html>.

(Continued)

Primary Examiner — Ian Simmons
Assistant Examiner — Yolanda Robinson
(74) *Attorney, Agent, or Firm* — Pamela K. Riewerts,
Esq.; Larry J. Guffey, Esq.; Oliver & Grimsley, LLC

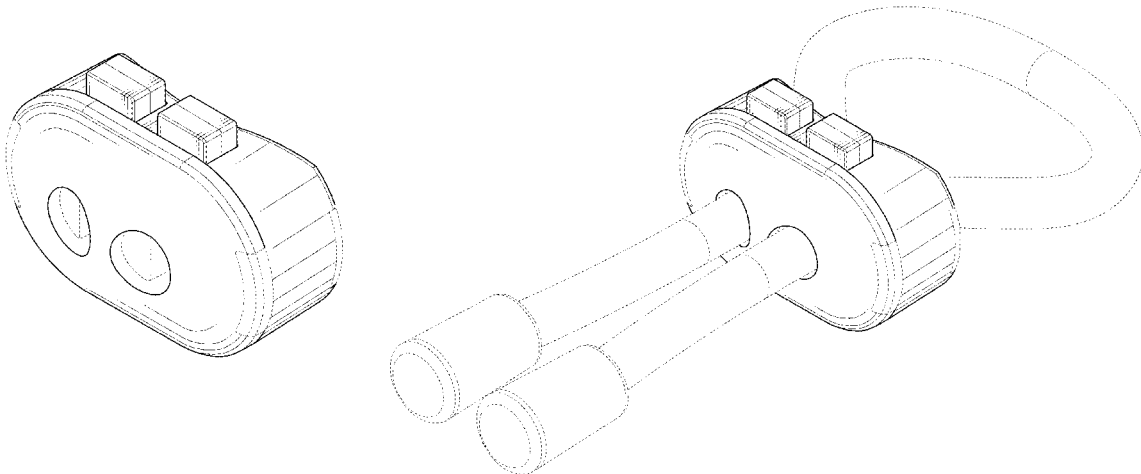
(57) **CLAIM**

I claim the ornamental design for a cord lock, as shown and described herein.

DESCRIPTION

FIG. 1 is a perspective view of a cord lock showing my new design;
FIG. 2 is a front elevational view thereof;
FIG. 3 is a top plan view thereof;
FIG. 4 is a rear elevational view thereof;
FIG. 5 is a bottom plan view thereof;
FIG. 6 is a right side elevational view thereof, the left side elevational view being a mirror image of FIG. 6; and,
FIG. 7 is a perspective view thereof, the broken line showing of the cord is for the purpose of illustrating an environment and form no part of the claimed design.
The broken lines shown in the drawings are included for the purpose of illustrating environment and form no part of the claimed design.

1 Claim, 4 Drawing Sheets



(56)

References Cited

U.S. PATENT DOCUMENTS

| | | | | |
|--------------|------|---------|-----------------|-------------|
| D633,378 | S * | 3/2011 | Chan | D8/383 |
| D659,524 | S | 5/2012 | Kawaguchi | |
| D660,689 | S * | 5/2012 | Kawaguchi | D8/383 |
| 8,813,524 | B2 * | 8/2014 | Thompson | D04B 3/00 |
| | | | | 66/1 A |
| 8,904,605 | B2 * | 12/2014 | Kawaguchi | F16G 11/101 |
| | | | | 24/115 G |
| 2002/0017309 | A1 | 2/2002 | Ericks | |
| 2011/0225779 | A1 | 9/2011 | Jones | |
| 2012/0042498 | A1 * | 2/2012 | Chu | F16G 11/101 |
| | | | | 29/453 |
| 2013/0104346 | A1 * | 5/2013 | Kawaguchi | F16G 11/101 |
| | | | | 24/115 G |
| 2014/0101898 | A1 * | 4/2014 | Chu | A44B 11/06 |
| | | | | 24/115 A |

OTHER PUBLICATIONS

Website printed Oct. 6, 2017. BonBunz active hair bands available at https://www.amazon.com/Bonbunz-Hairband-HeadbandsYoga-Headbands-Ultimate/dp/B01MF9NWKB/ref=sr_1_1?ie=UTF8&qid=1495816956&sr=8-1&keywords=bonbunz+daph.

Website printed Oct. 6, 2017. Lock Laces branded no-tie shoelaces available at <https://www.amazon.com/LOCK-LACES-Elastic-Tie-Shoelaces/dp/B00975EAJ6>.

Website printed Oct. 6, 2017. Pulleez branded ponytail holders at http://www.qvc.com/qvc.product.A261610.html?ref=GAS&cm_mmc=GOOGLESUCCESSFULFEED-_-GShopping%7CM%7CGeneric%7Cbeauty-_-pla-_-sHPY10pMc%7Cdc_193409122054_A261610-680-000_&mkwid=sHPY10pMc%7Cdc_perid_193409122054_pkw_pmt_productid_A261610-680-000_&cvosrc=pla.google.A261610-680-000&cvo_crid=193409122054&matchtype=shopping.

Website printed Oct. 6, 2017. Cord-lock toggle stopper available at <https://www.aliexpress.com/item/50pcs-Cord-Lock-Toggle-Stopper-Plastic-toggle-clip-Black-17-5mm-19mm-6mm-Free-Shipping/2021837315.html?spm=2114.40010708.4.2.YJsqGk>.

Website printed Oct. 6, 2017. Hair Bungee branded hair ties available at <http://www.hairbungee.com>.

Website printed Oct. 6, 2017. Magnetic cord winder wrap available at <https://www.amazon.com/Rancco-Magnetic-Headphones-Organizer-Bookmarks/dp/B015VGDMDE>.

Website printed Oct. 6, 2017. Cord locks described at <https://www.ronstanindustrial.com/use-of-cord-locks/>.

* cited by examiner

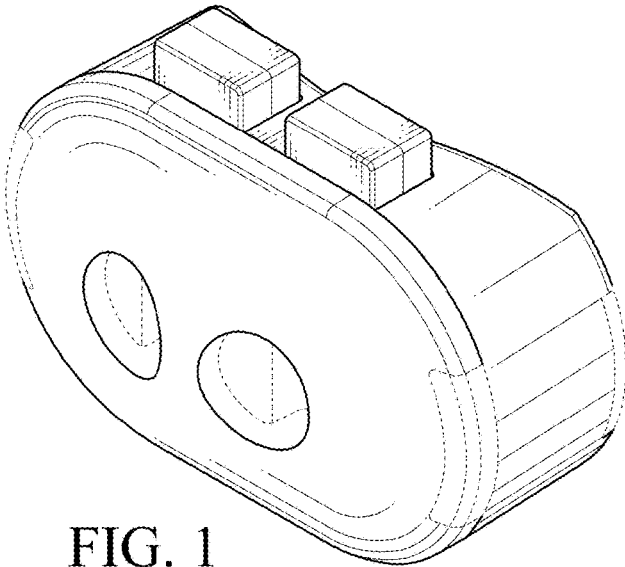


FIG. 1

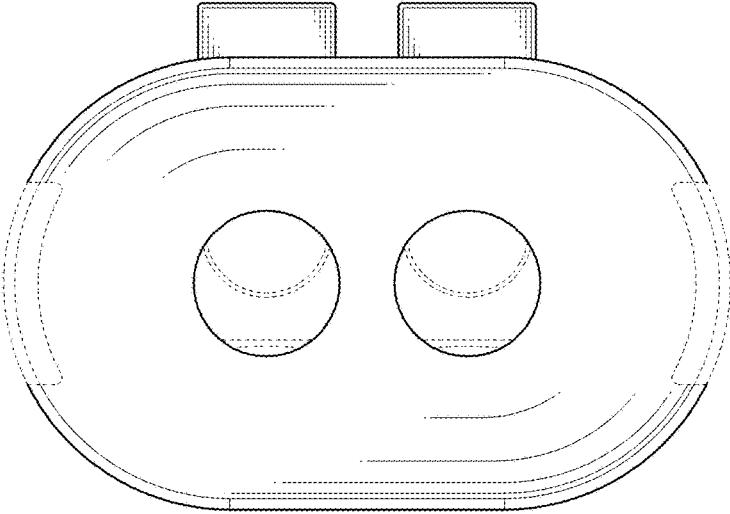


FIG. 2

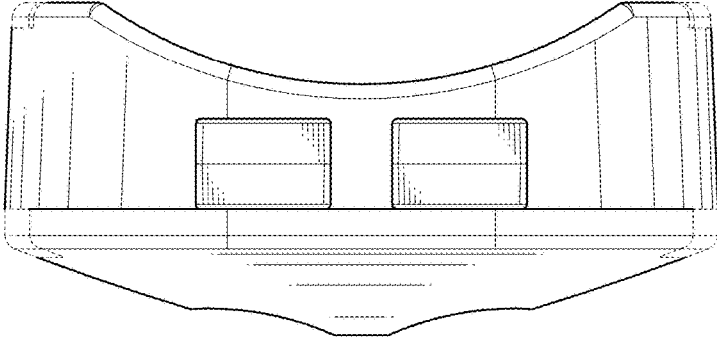


FIG. 3

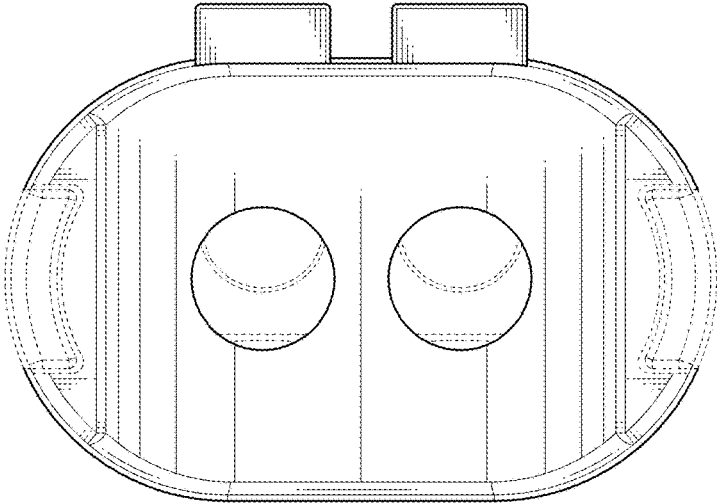


FIG. 4

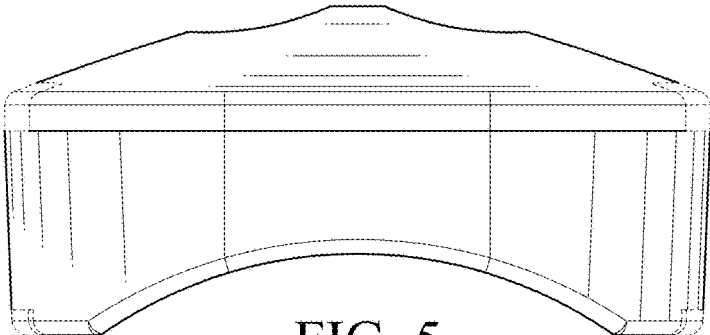


FIG. 5

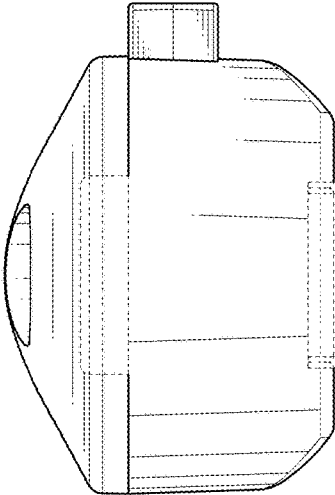


FIG. 6

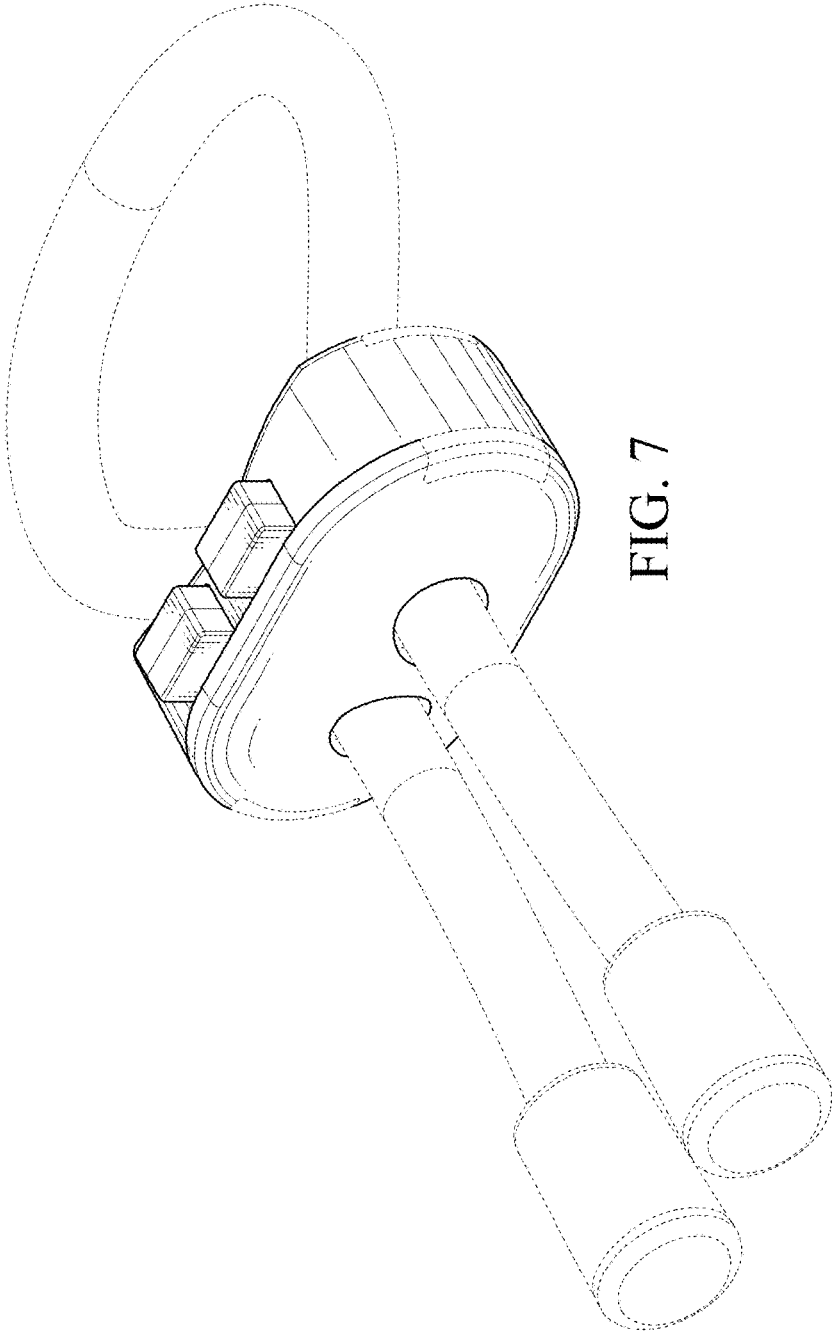


FIG. 7