



US00D777478S

(12) **United States Design Patent**  
**Krauss**

(10) **Patent No.:** **US D777,478 S**

(45) **Date of Patent:** **\*\* Jan. 31, 2017**

- (54) **RETAIL DISPLAY**
- (71) Applicant: **Google Inc.**, Mountain View, CA (US)
- (72) Inventor: **Alessio Krauss**, San Francisco, CA (US)
- (73) Assignee: **Google Inc.**, Mountain View, CA (US)
- (\*\*) Term: **15 Years**

D528,825 S *	9/2006	Ridout	.....	D6/682.4
D612,171 S *	3/2010	Wade	.....	D6/629
D622,977 S *	9/2010	Wade	.....	D6/675.4
D647,996 S *	11/2011	Griffin	.....	D23/200
D661,124 S *	6/2012	Curbbun	.....	D20/10
D662,329 S *	6/2012	Arko	.....	D6/332
D730,663 S *	6/2015	Logan	.....	D6/675
9,076,354 B1 *	7/2015	Peota	.....	G09F 15/0012
D752,573 S *	3/2016	Ballman	.....	D14/307
D762,635 S *	8/2016	Szeredi	.....	D14/307

\* cited by examiner

(21) Appl. No.: **29/531,962**

*Primary Examiner* — Kelley Donnelly

(22) Filed: **Jun. 30, 2015**

(51) **LOC (10) CL.** ..... **06-06**

(57) **CLAIM**

(52) **U.S. Cl.**  
USPC ..... **D6/675**

I claim the ornamental design for a retail display, as shown and described.

(58) **Field of Classification Search**  
USPC ..... D6/672, 673, 675-675.1, 675.3, 675.4  
CPC ..... A47F 1/00; A47F 5/0081; A47F 5/04;  
A47F 7/00  
See application file for complete search history.

**DESCRIPTION**

FIG. 1 is a front side perspective view of the retail display of the present invention;  
FIG. 2 is a front view thereof;  
FIG. 3 is an overhead perspective view thereof; and,  
FIG. 4 is a left side view; the right side being a mirror image thereof.

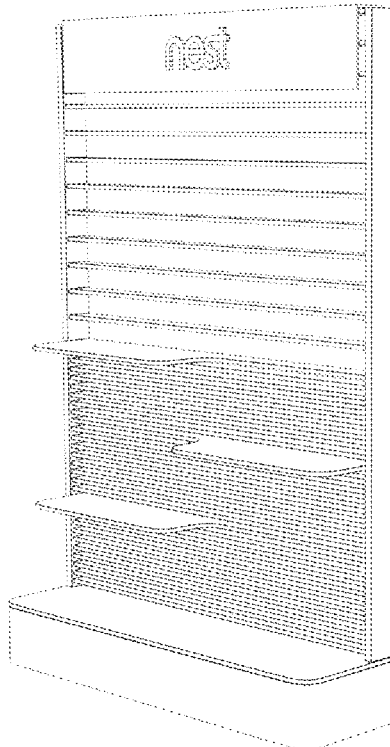
The broken lines showing is included for the purpose of illustrating environment and forms no part of the claimed design. A back view and bottom view are omitted because the back and bottom of the invention are not visible during ordinary use and form no part of the protection sought.

(56) **References Cited**

**U.S. PATENT DOCUMENTS**

4,103,782 A *	8/1978	Mayer	.....	A47B 47/04	211/126.1
D279,201 S *	6/1985	Shuman	.....	D20/10	
D307,838 S *	5/1990	Johnston	.....	D6/675.4	
D322,523 S *	12/1991	Brooks	.....	D6/675.4	
D386,919 S *	12/1997	Adenau	.....	D6/675.4	
D455,789 S *	4/2002	Schlueter	.....	D20/10	
D468,936 S *	1/2003	Miranda	.....	D6/675.4	

**1 Claim, 4 Drawing Sheets**



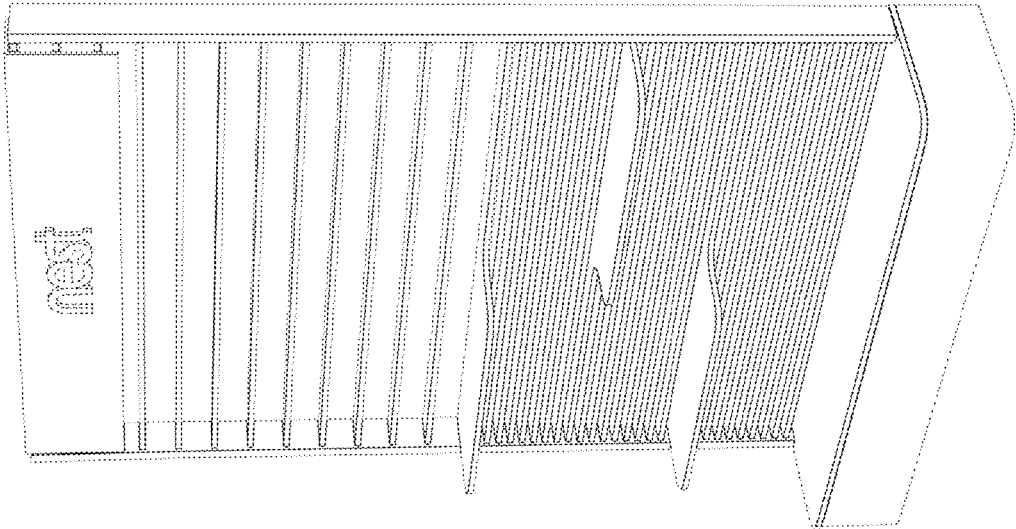


FIG. 1

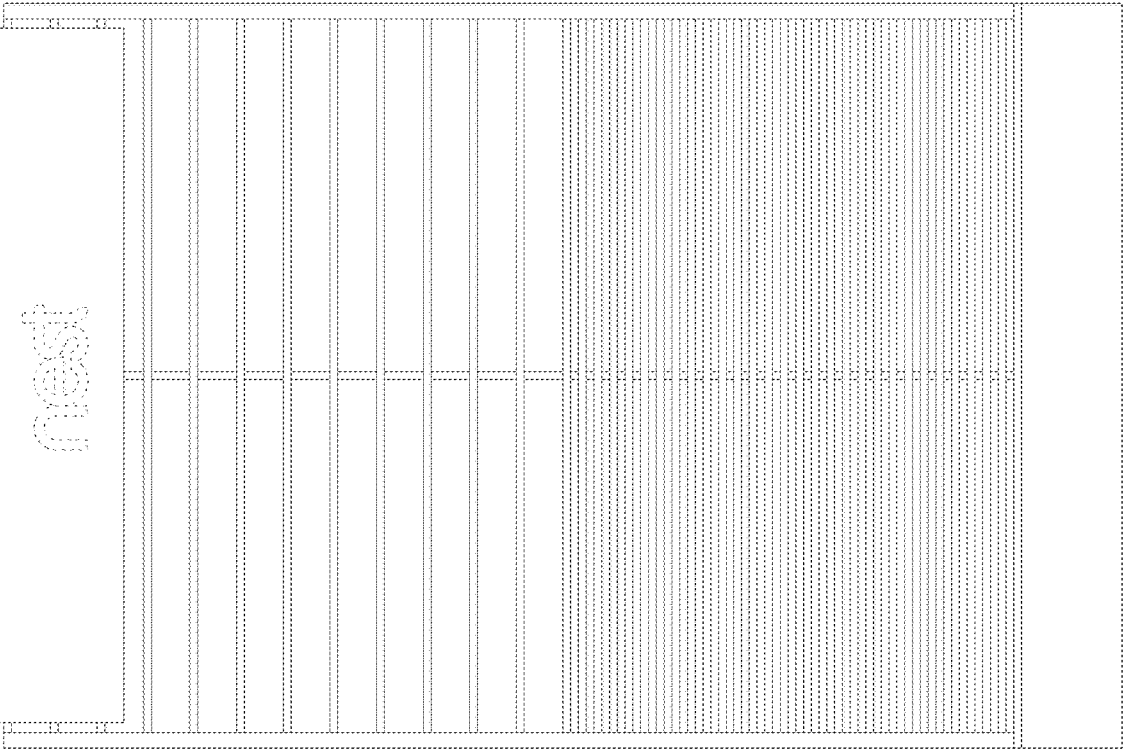


FIG. 2

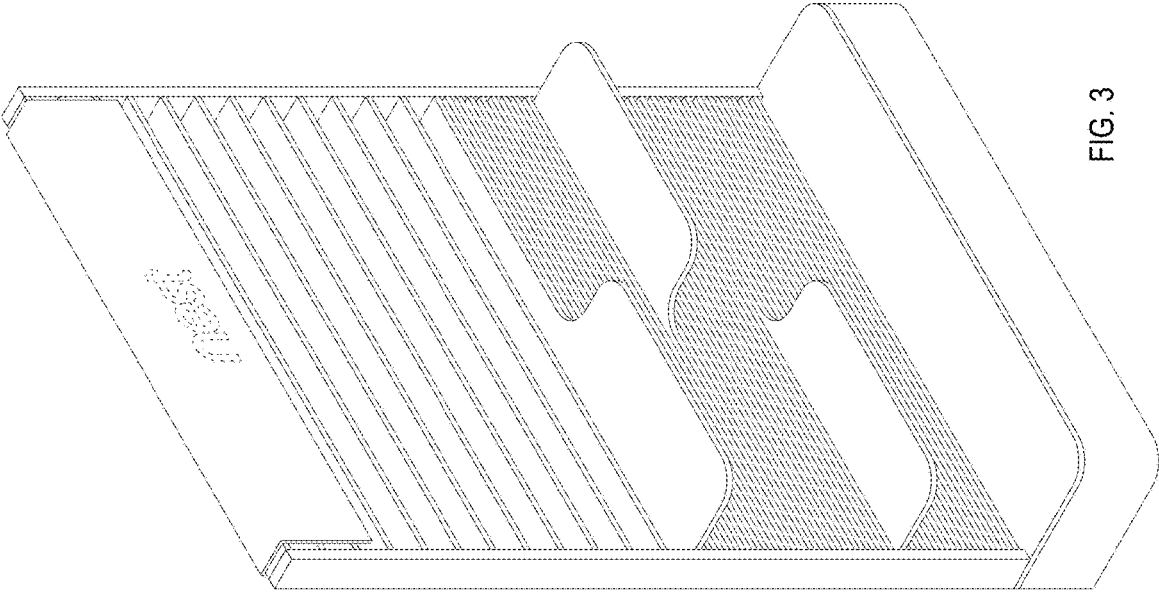


FIG. 3

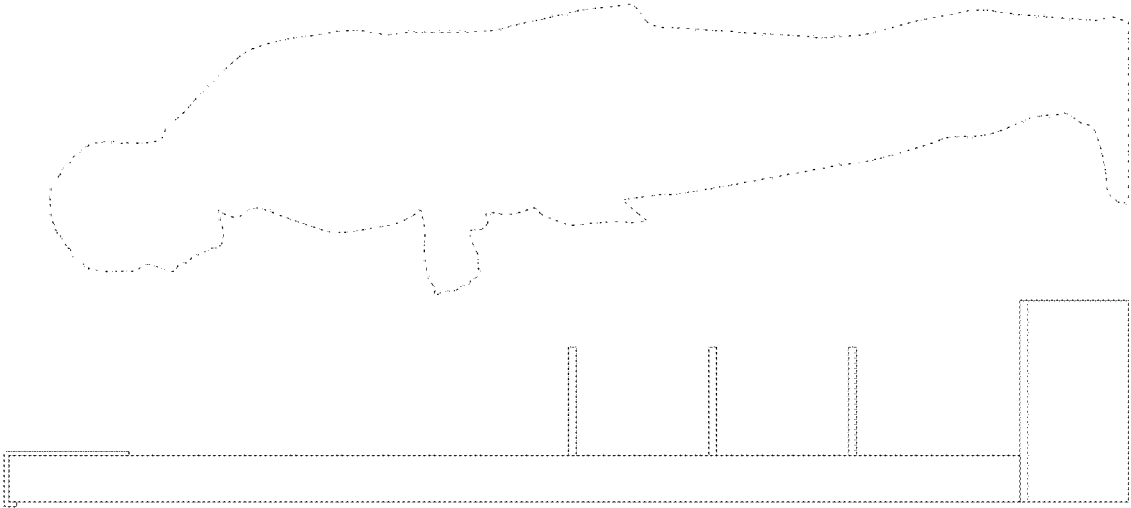


FIG. 4