



US00D993412S

(12) **United States Design Patent** (10) **Patent No.:** **US D993,412 S**
Karim (45) **Date of Patent:** **** Jul. 25, 2023**

(54) **MICRONEEDLING DEVICE**
(71) Applicant: **Covalent Group Inc.**, Lehi, UT (US)
(72) Inventor: **Imran Karim**, Frisco, TX (US)
(73) Assignee: **Covalent Group Inc.**, Lehi, UT (US)
(**) Term: **15 Years**
(21) Appl. No.: **29/787,874**

2022/0032049 A1* 2/2022 Chao A61M 37/0015
2022/0183740 A1* 6/2022 Ahn A61N 1/403
2022/0323735 A1* 10/2022 Scherkowski A61C 17/34
2022/0409898 A1* 12/2022 Ahn A61N 1/328

FOREIGN PATENT DOCUMENTS

CA 150472 * 1/2014
KR 301143419.0000 * 12/2021

OTHER PUBLICATIONS

Nano Microneedle Therapy System RF Injection MTS MEso Gun, Nano, Aliexpress, [Post date: unknown], [Site seen Mar. 2, 2023], Seen at URL: https://www.aliexpress.us/item/3256802351209615.html?gatewayAdapt=glo2usa4itemAdapt&_randl_shipto=US (Year: 2023).*

(Continued)

Primary Examiner — Natasha Vujcic
Assistant Examiner — Gilbert B Ford
(74) *Attorney, Agent, or Firm* — Winstead PC

(57) **CLAIM**

I claim, the ornamental design for a microneedling device, as shown and described.

DESCRIPTION

FIG. 1 is a perspective view of a microneedling device in accordance with the design;
FIG. 2 is a front view thereof;
FIG. 3 is a back view thereof;
FIG. 4 is a left side view thereof;
FIG. 5 is a right side view thereof;
FIG. 6 is a top view thereof; and,
FIG. 7 is a bottom view thereof.
The broken lines in the drawings illustrate portions of the microneedling device and form no part of the claimed design.

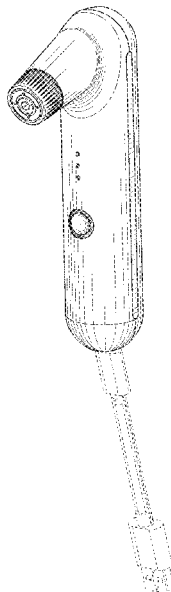
1 Claim, 5 Drawing Sheets

(22) Filed: **Jun. 9, 2021**
(51) **LOC (14) Cl.** **24-02**
(52) **U.S. Cl.**
USPC **D24/144**; D24/112
(58) **Field of Classification Search**
USPC D24/112, 113, 114, 133, 186, 127-131, D24/144
CPC A61M 37/0015; A61M 2037/0061; A61M 2037/0023; A61M 37/0076; A61M 2037/0046
See application file for complete search history.

(56) **References Cited**

U.S. PATENT DOCUMENTS

D568,992 S * 5/2008 Bacher D24/133
D589,650 S * 3/2009 Adriaenssen D24/133
D604,855 S * 11/2009 Shearlaw D24/186
D705,422 S * 5/2014 Burton D24/112
D726,314 S * 4/2015 Marquez D24/144
D728,780 S * 5/2015 Pieroni D24/112
D738,516 S * 9/2015 Karim D24/200
D747,800 S * 1/2016 Dunleavy D24/133
D794,784 S * 8/2017 Bradley D24/133
D795,423 S * 8/2017 Chen D24/133
D843,656 S * 3/2019 Zhang D24/209
D941,467 S * 1/2022 Kang D24/146
D976,425 S * 1/2023 Jin D24/214
2016/0121091 A1* 5/2016 Burton A61M 37/0015
604/173



(56)

References Cited

OTHER PUBLICATIONS

WellSkins Nano-microneedle Injection Gun Beauty Instrument (White), Aicyber, aicyberinfo.com.au/, [Post date: Oct. 19, 2022], [Site seen Mar. 2, 2023], Seen at URL: <https://aicyberinfo.com.au/products/wellskins-nano-microneedle-injection-gun-beauty-instrument-white> (Year: 2022).*

3M Hollow Microstructured Transdermal System , 3M, cphi-online.com, [Post date: Jan. 29, 2015], [Site seen Feb. 28, 2023], Seen at URL: <https://www.cphi-online.com/microneedles-breakthrough-brings-3m-one-step-news034120.html> (Year: 2015).*

* cited by examiner

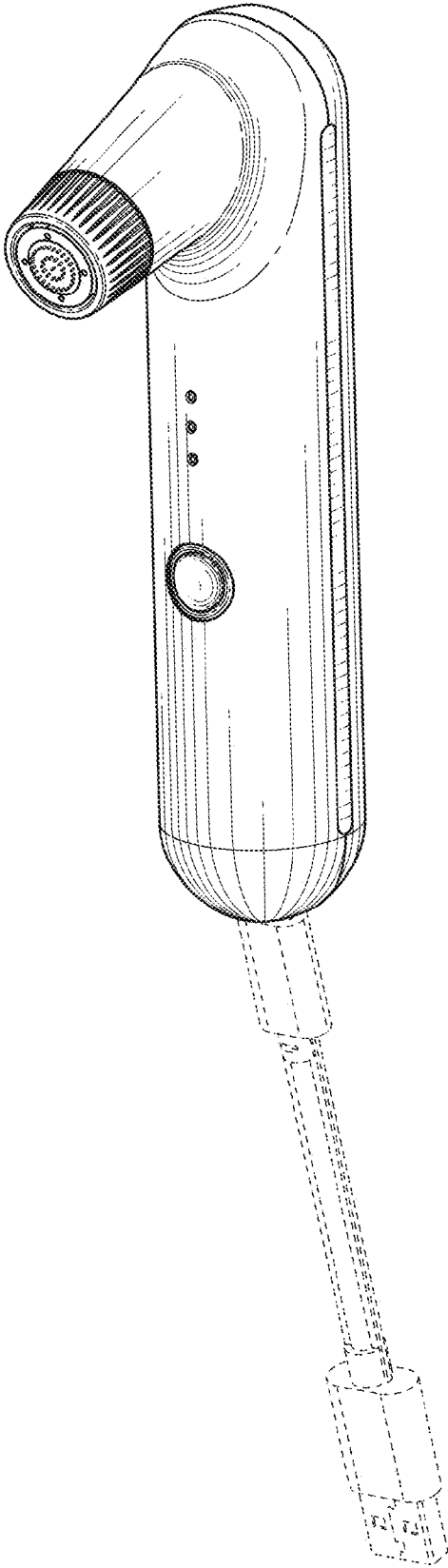


FIG. 1

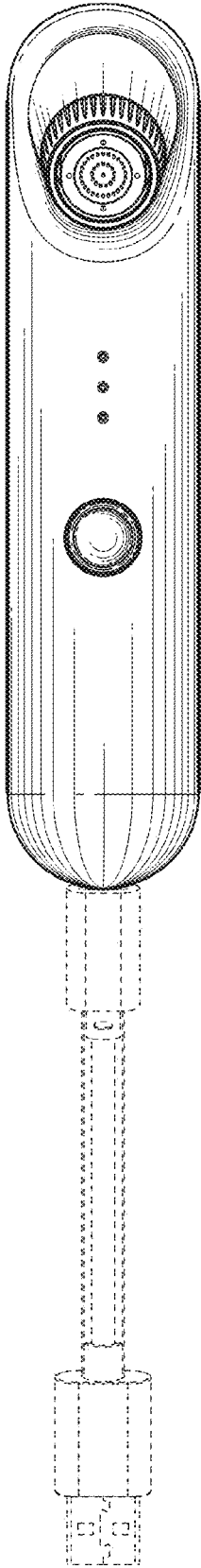


FIG. 2

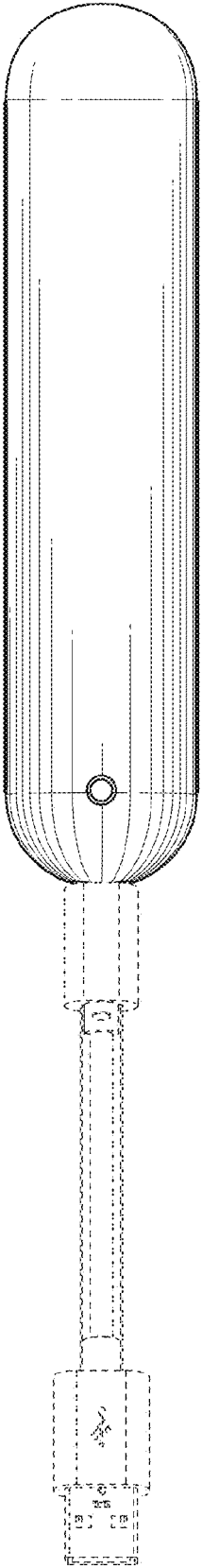


FIG. 3

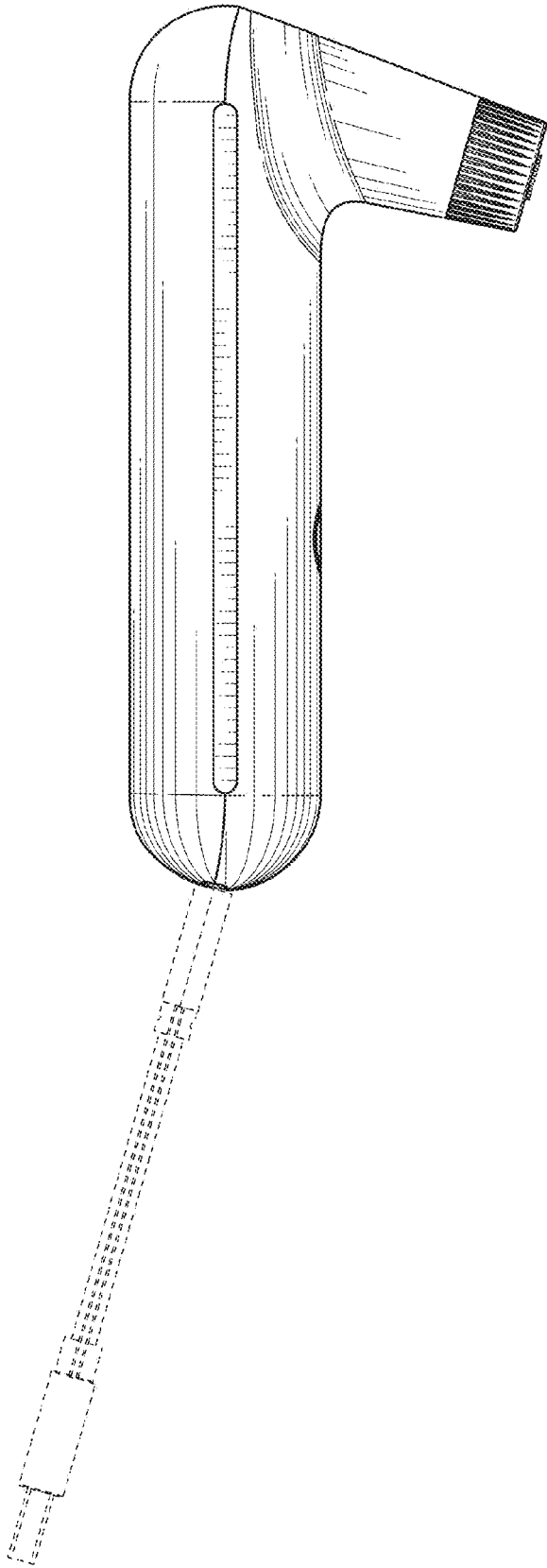


FIG. 4

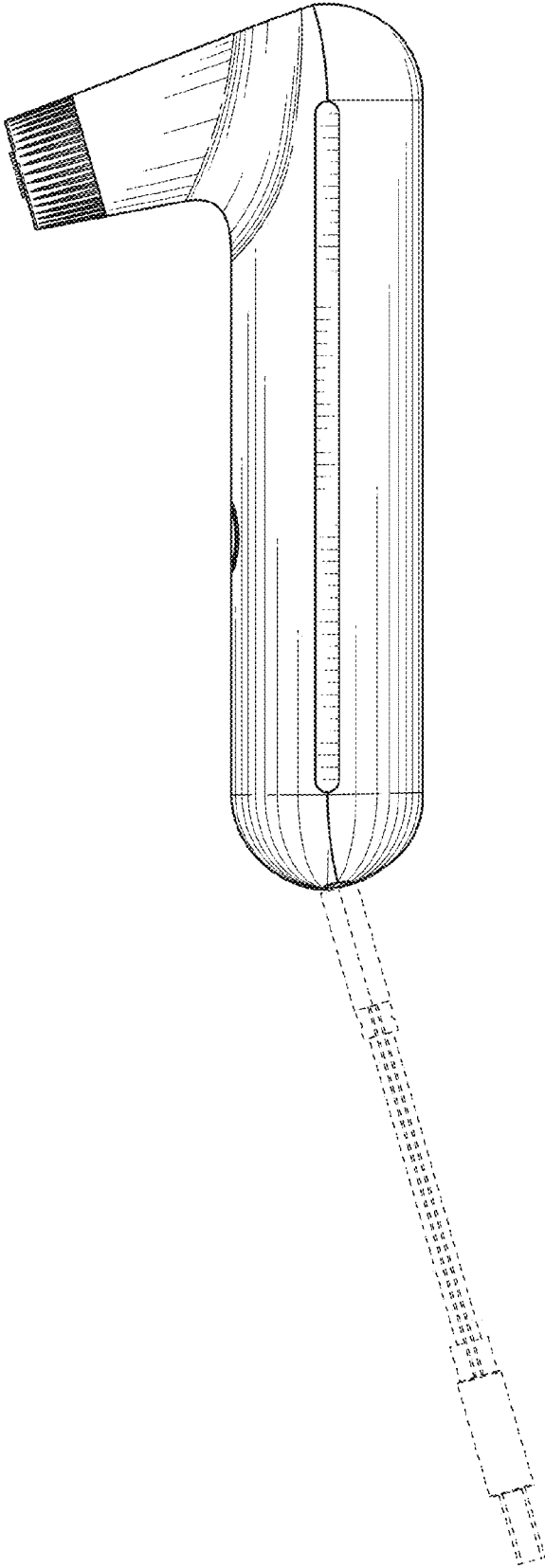


FIG. 5

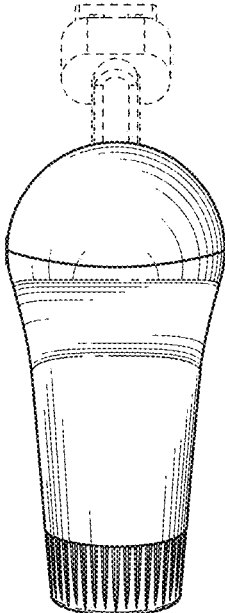


FIG. 6

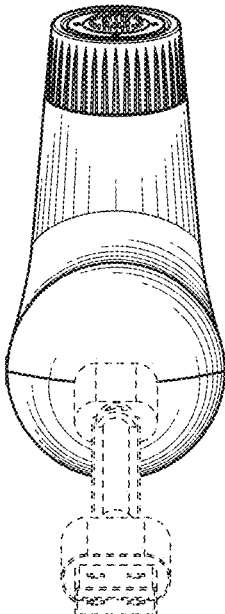


FIG. 7