



US00D896429S

(12) **United States Design Patent**
Velez

(10) **Patent No.:** **US D896,429 S**

(45) **Date of Patent:** **** Sep. 15, 2020**

- (54) **LIGHT FIXTURE**
 - (71) Applicant: **HOLLY HUNT ENTERPRISES, INC.**, Chicago, IL (US)
 - (72) Inventor: **Alberto Velez**, Chicago, IL (US)
 - (73) Assignee: **HOLLY HUNT ENTERPRISES, INC.**
 - (**) Term: **15 Years**
 - (21) Appl. No.: **29/688,559**
 - (22) Filed: **Apr. 23, 2019**
 - (51) **LOC (12) Cl.** **26-03**
 - (52) **U.S. Cl.**
USPC **D26/88; D26/90; D26/91**
 - (58) **Field of Classification Search**
USPC D26/80-86, 88, 90, 91
CPC F21S 8/04; F21S 8/043; F21S 8/046; F21S 8/06; F21S 8/061; F21S 8/063; F21S 8/065
- See application file for complete search history.

- 2012/0257388 A1* 10/2012 Bracher F21V 21/03
362/249.01
- 2013/0329424 A1* 12/2013 Clark F21S 8/066
362/235
- 2020/0132262 A1* 4/2020 Sonneman F21S 2/005

OTHER PUBLICATIONS

Hexagon LED Pendant Light by Mischa Couvrette, from hollis+morris sold at ylighting.com visited May 21, 2020. (Year: 2020).*

* cited by examiner

Primary Examiner — Clare E Heflin

(74) *Attorney, Agent, or Firm* — The Belles Group, P.C.

(57) **CLAIM**

The ornamental design for a light fixture, as shown and described.

DESCRIPTION

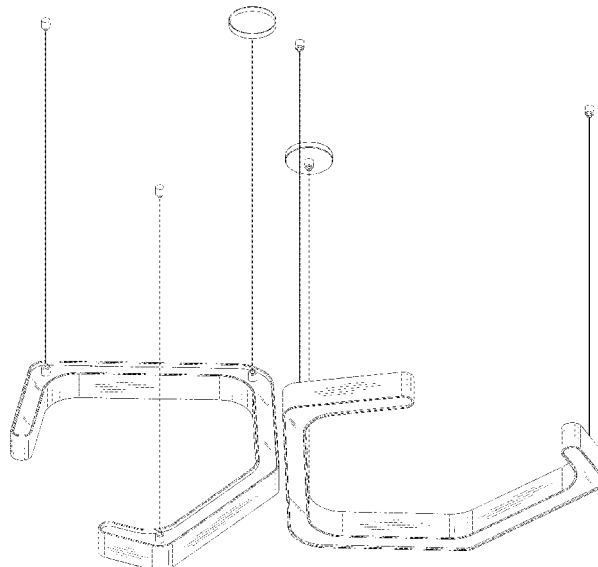
FIG. 1 is a front, top perspective view of a light fixture according to a first embodiment of the new design; FIG. 2 is a front, bottom perspective view thereof; FIG. 3 is a front view thereof; FIG. 4 is a rear view thereof; FIG. 5 is a right side view thereof; FIG. 6 is a left side view thereof; FIG. 7 is a top view thereof; FIG. 8 is a bottom view thereof; FIG. 9 is a front, top perspective view of a light fixture according to a second embodiment of the new design; FIG. 10 is a front, bottom perspective view thereof; FIG. 11 is a front view thereof; FIG. 12 is a rear view thereof; FIG. 13 is a right side view thereof; FIG. 14 is a left side view thereof; FIG. 15 is a top view thereof; and, FIG. 16 is a bottom view thereof.

The broken lines in the drawings illustrating portions of the light fixture form no part of the claimed design.

(56) **References Cited**
U.S. PATENT DOCUMENTS

D591,444 S	4/2009	Beno et al.	
D605,334 S	12/2009	Hanser-Strecker	
D610,300 S	2/2010	Ngai et al.	
D635,711 S	4/2011	Scutella	
D655,856 S *	3/2012	Burks	D26/90
D716,486 S *	10/2014	Martin	D26/141
D740,480 S *	10/2015	Thompson	D26/90
D792,003 S	7/2017	Sonneman	
D809,182 S *	1/2018	Meise	D26/90
D809,699 S *	2/2018	Meise	D26/90
D810,993 S *	2/2018	Genovese	D26/91
D827,909 S *	9/2018	Silver	D26/90
D866,047 S *	11/2019	Anastasiades	D26/88
D866,844 S *	11/2019	Anastasiades	D26/88
D877,395 S *	3/2020	Genovese	D26/90

1 Claim, 14 Drawing Sheets



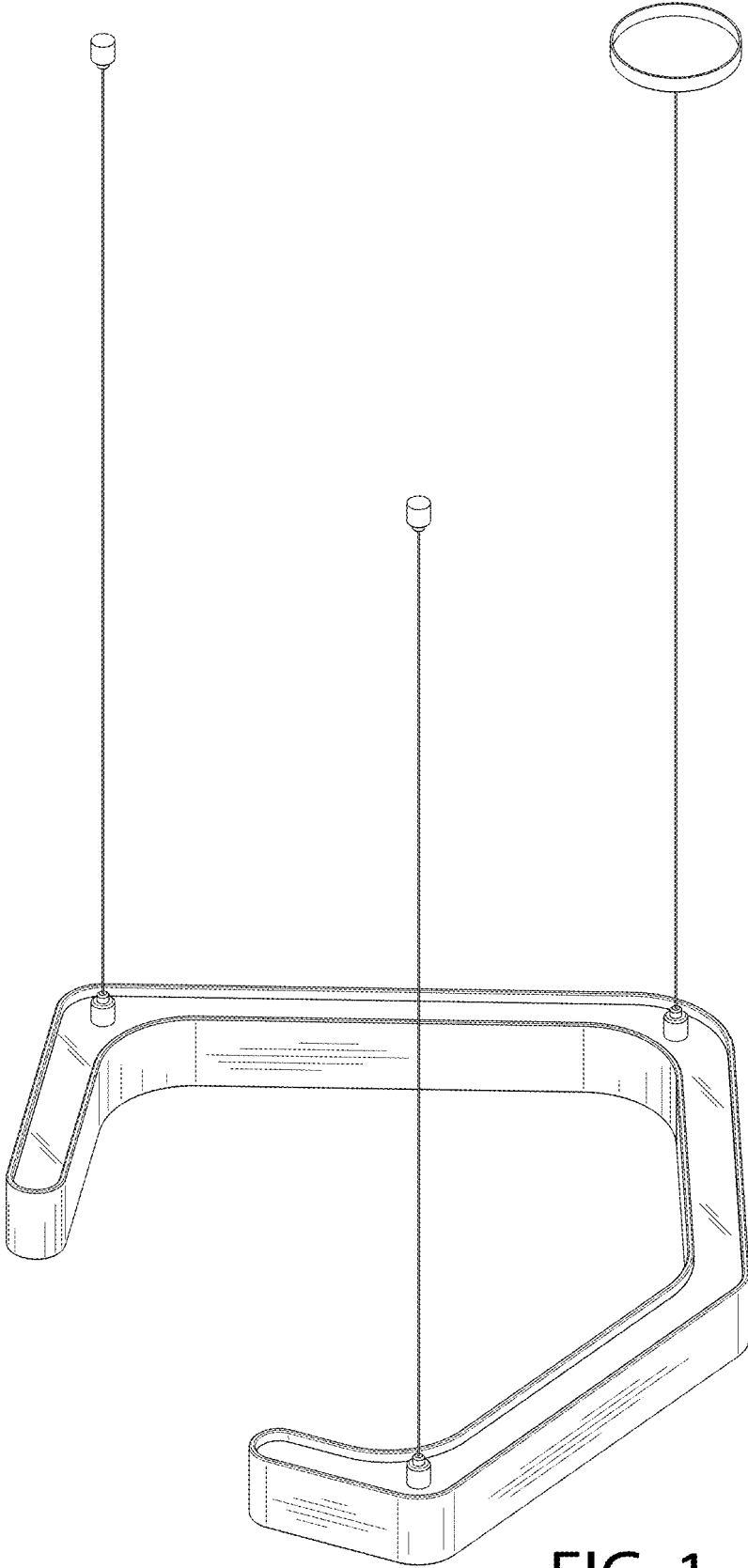


FIG. 1

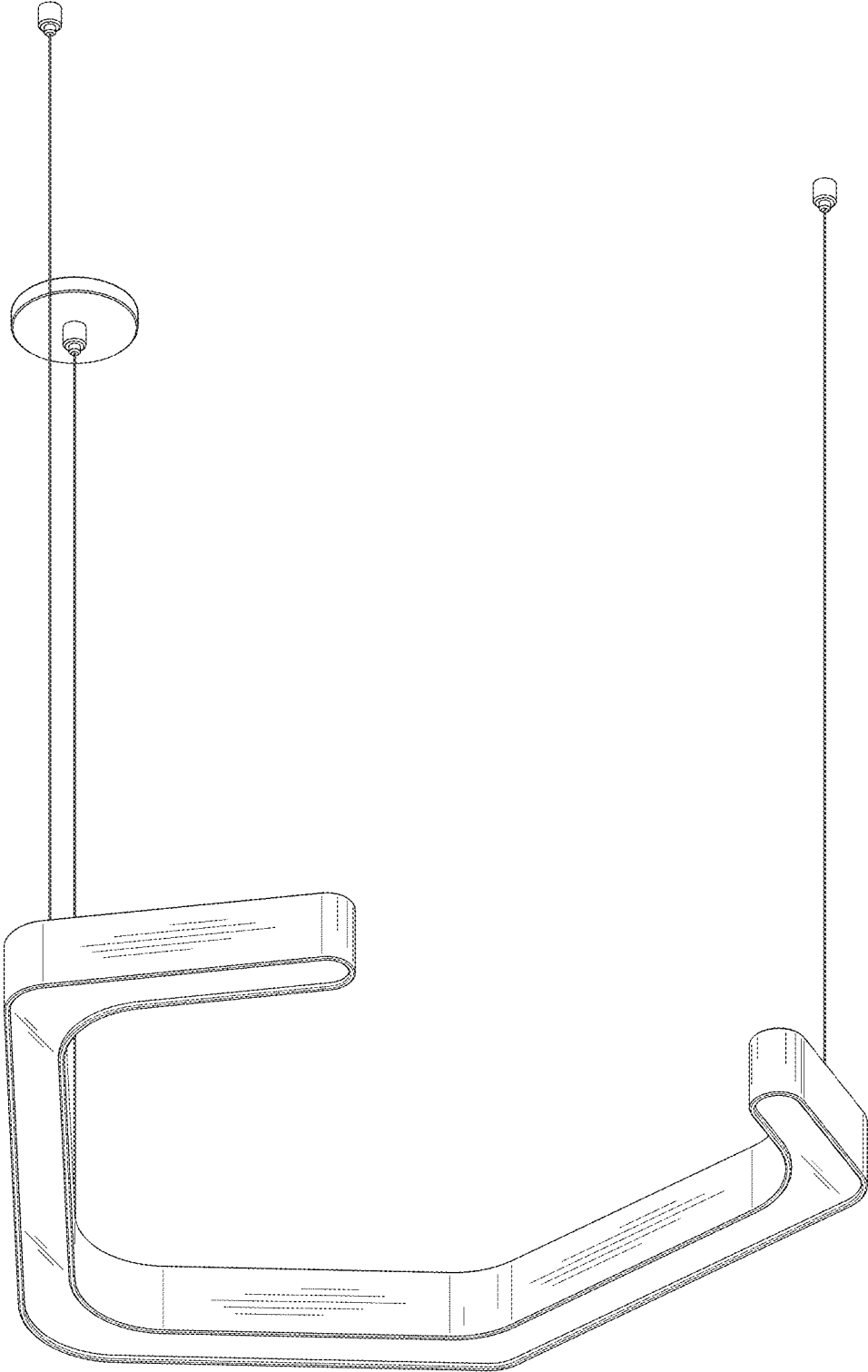


FIG. 2

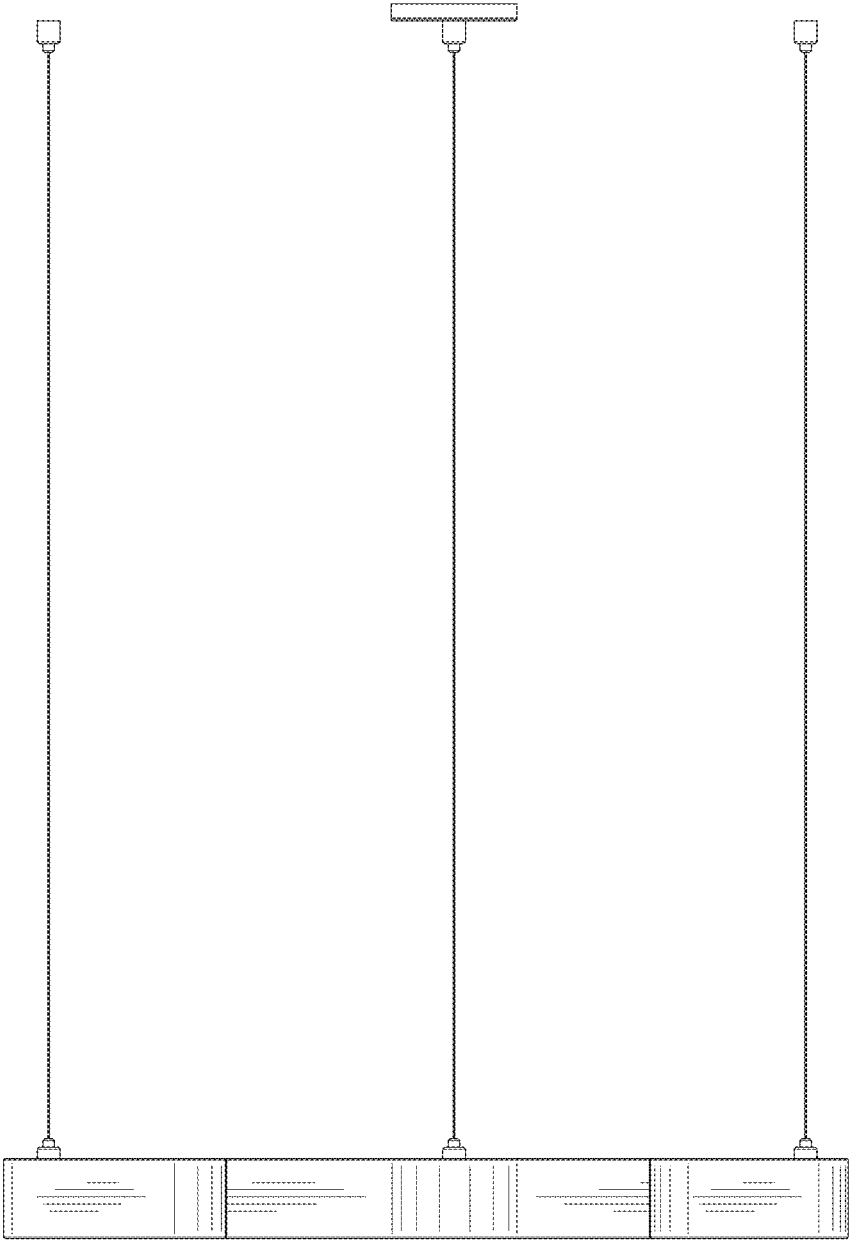


FIG. 3

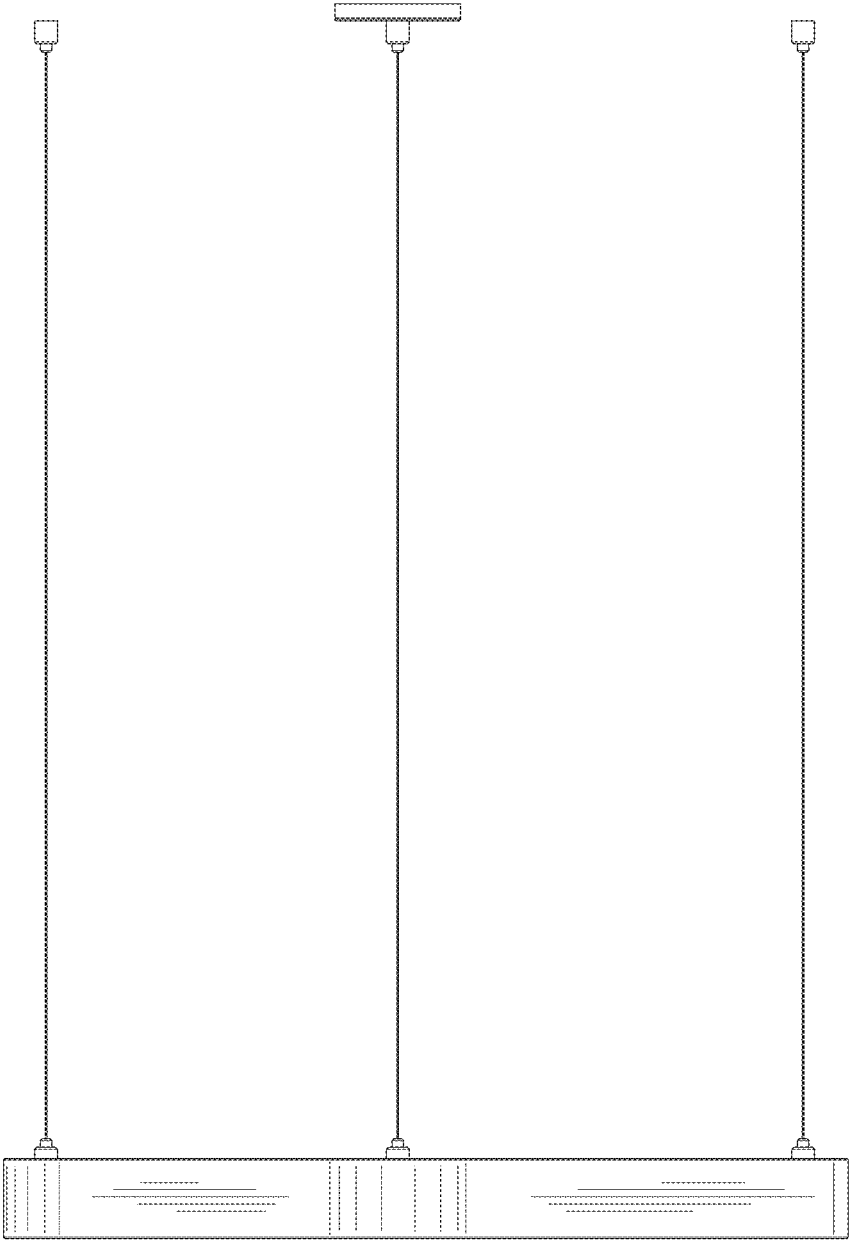


FIG. 4

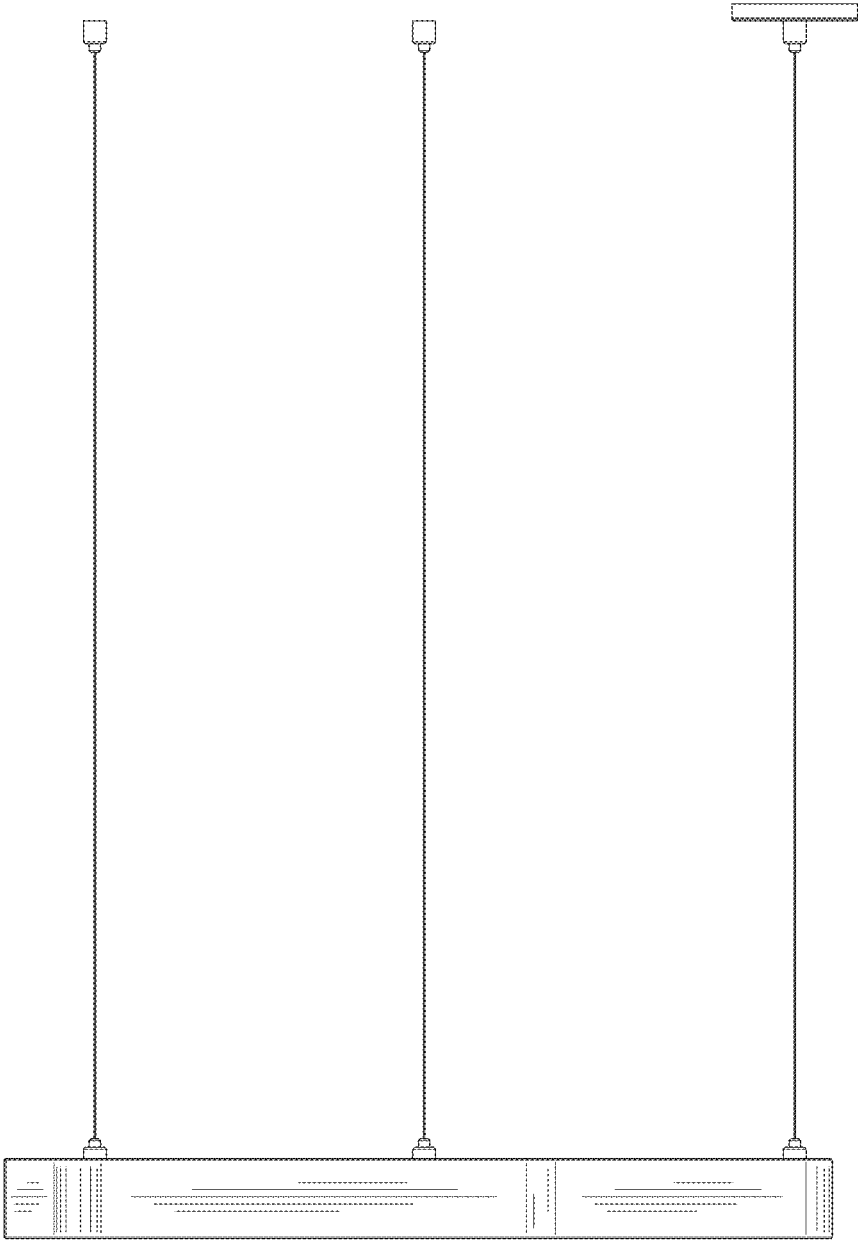


FIG. 5

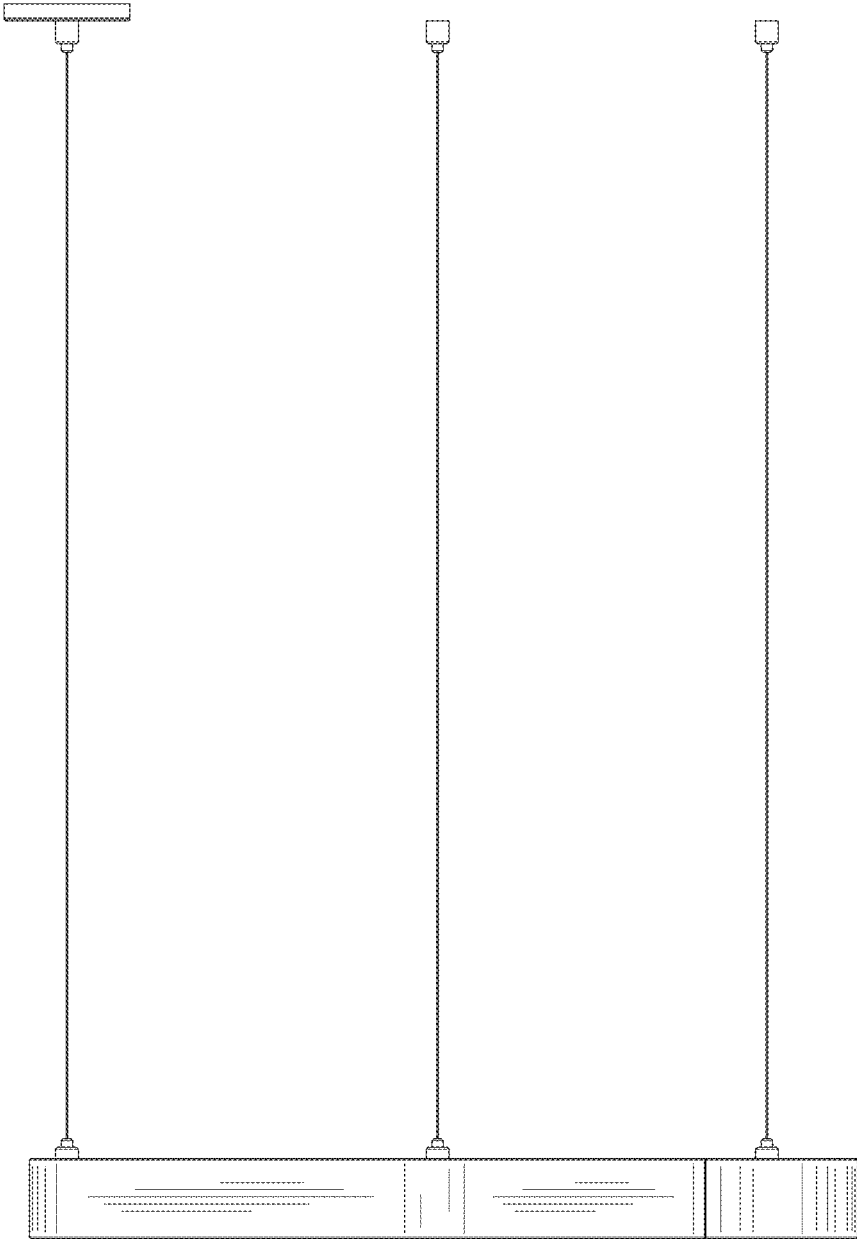


FIG. 6

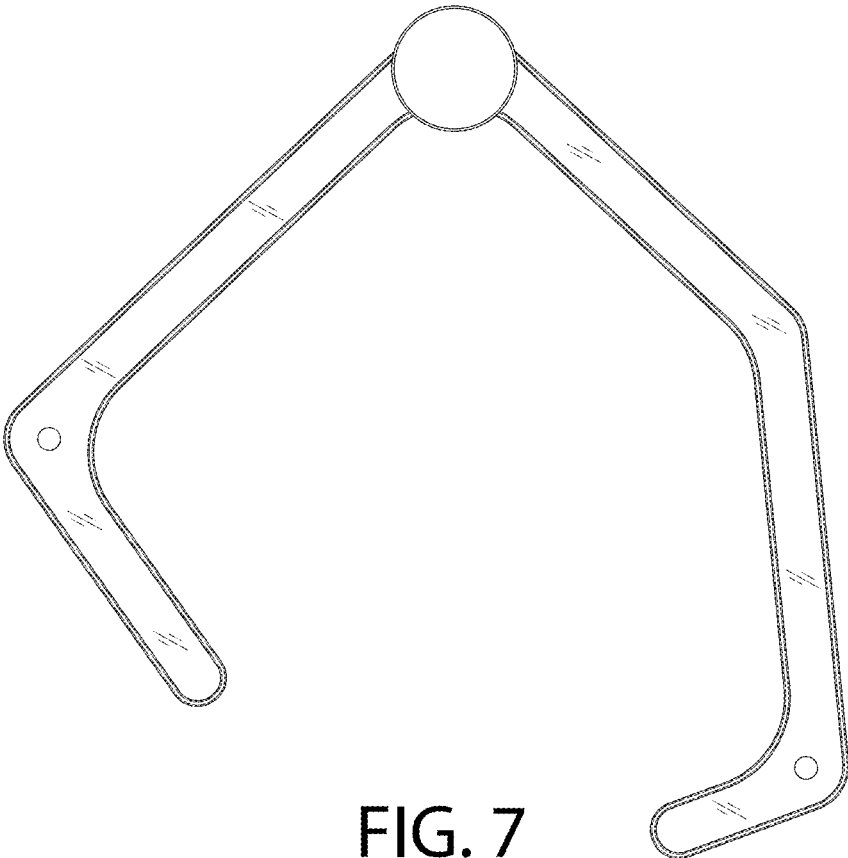


FIG. 7

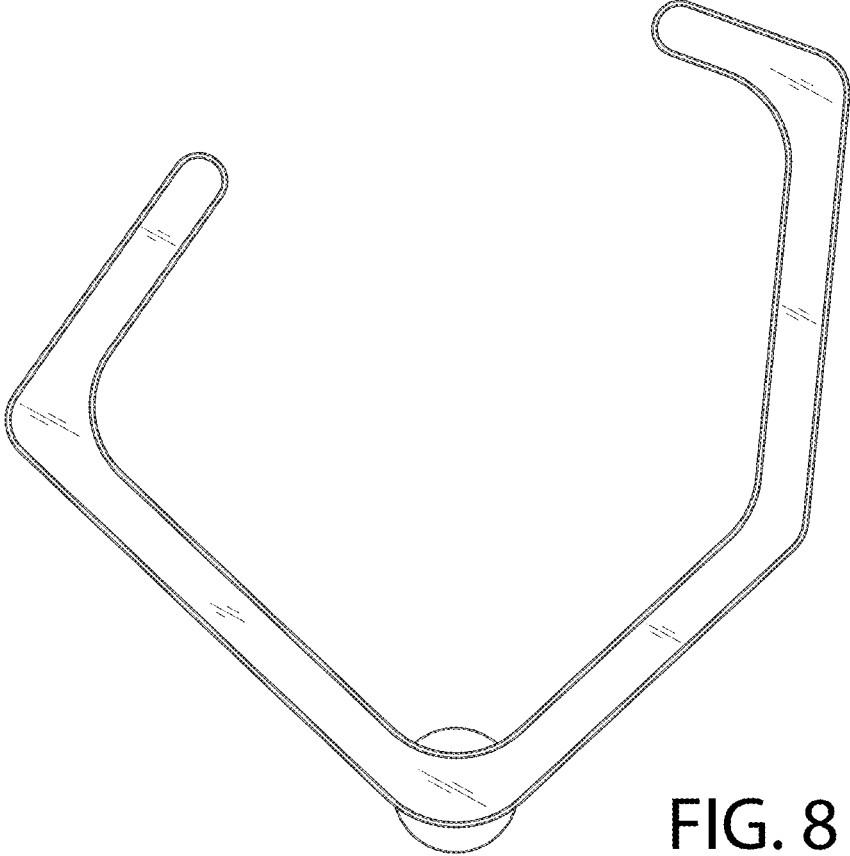


FIG. 8

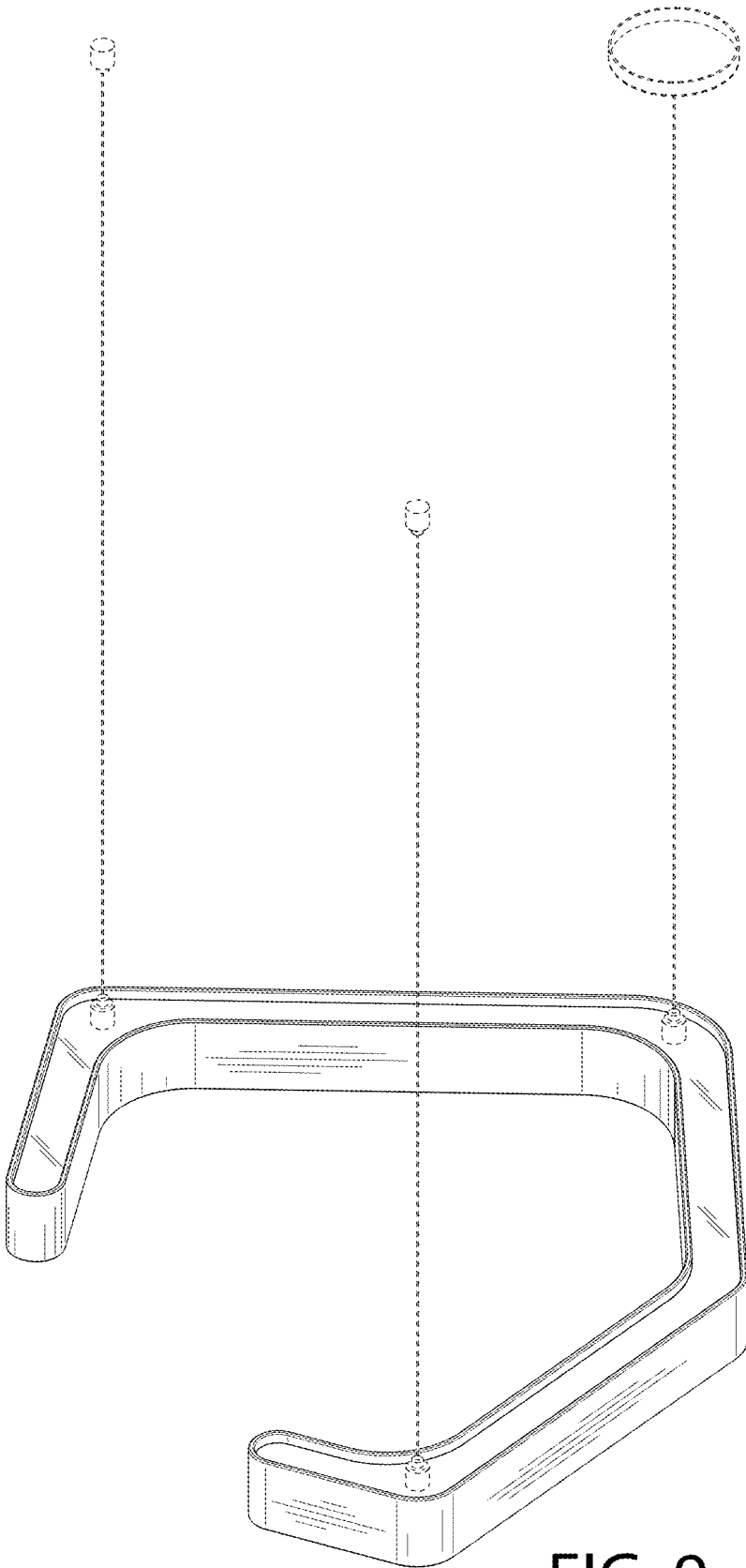


FIG. 9

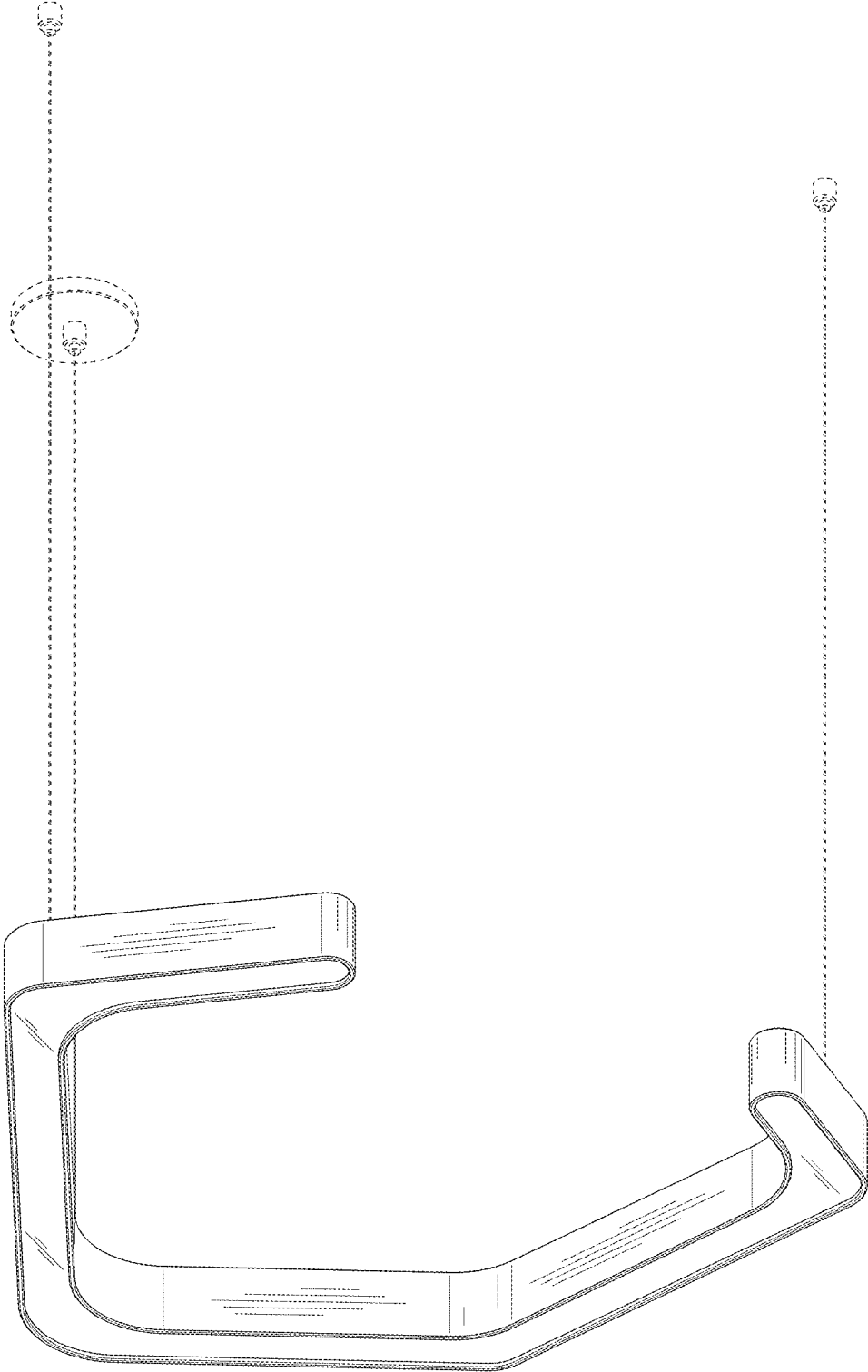


FIG. 10

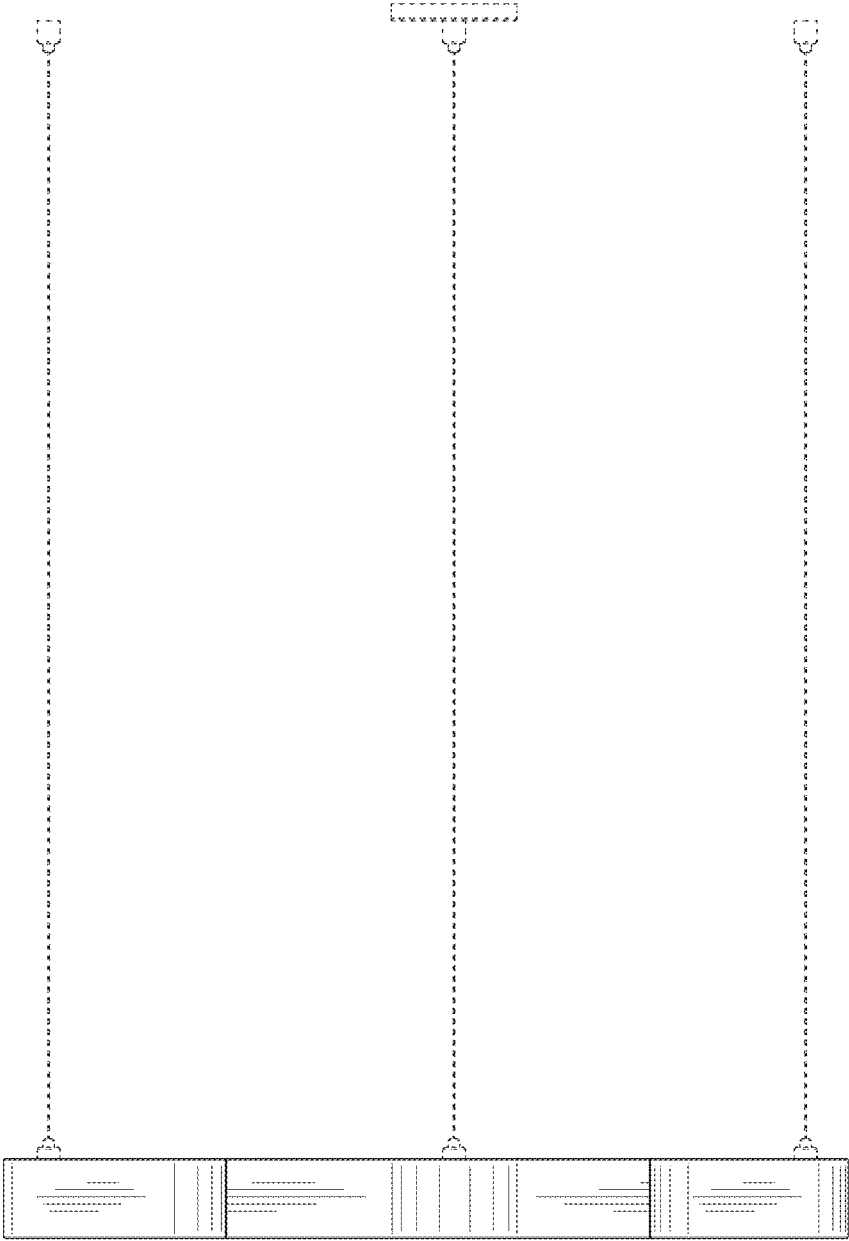


FIG. 11

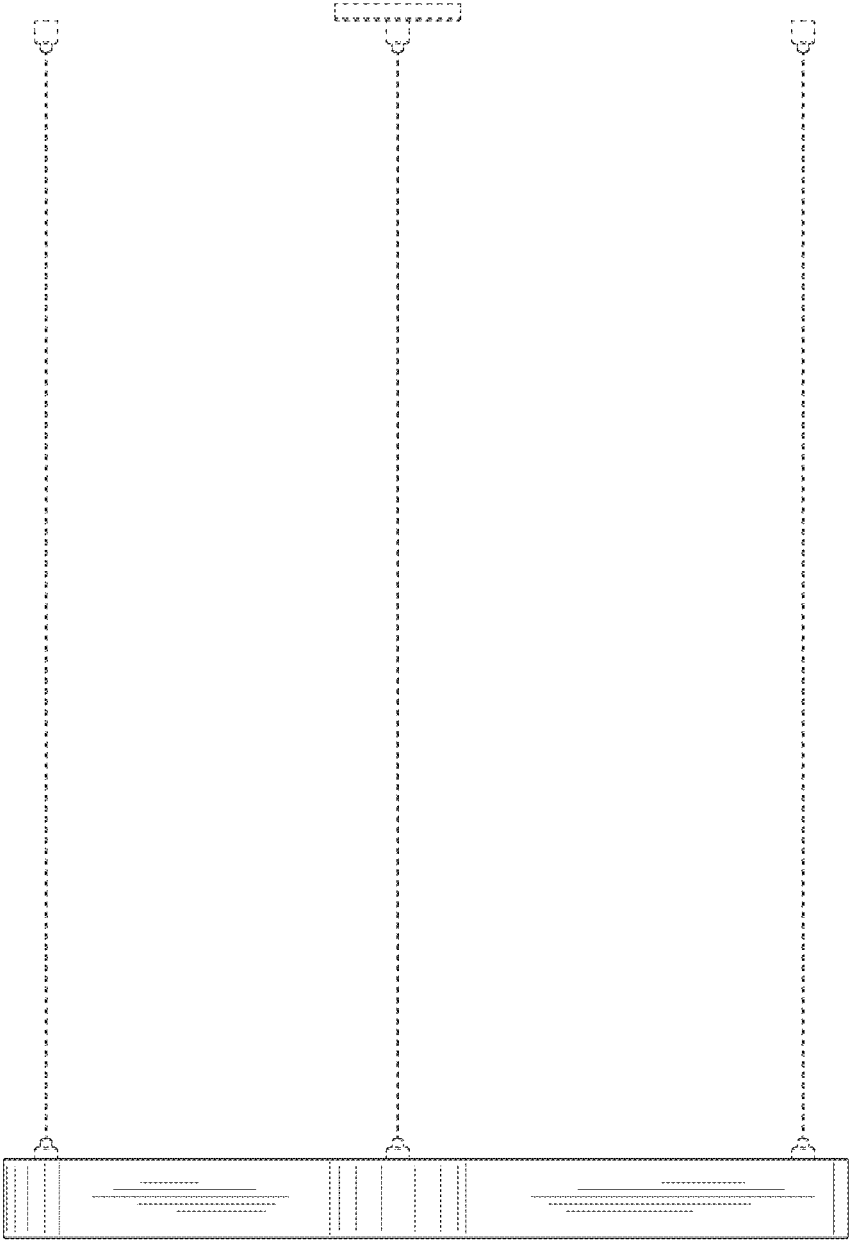


FIG. 12

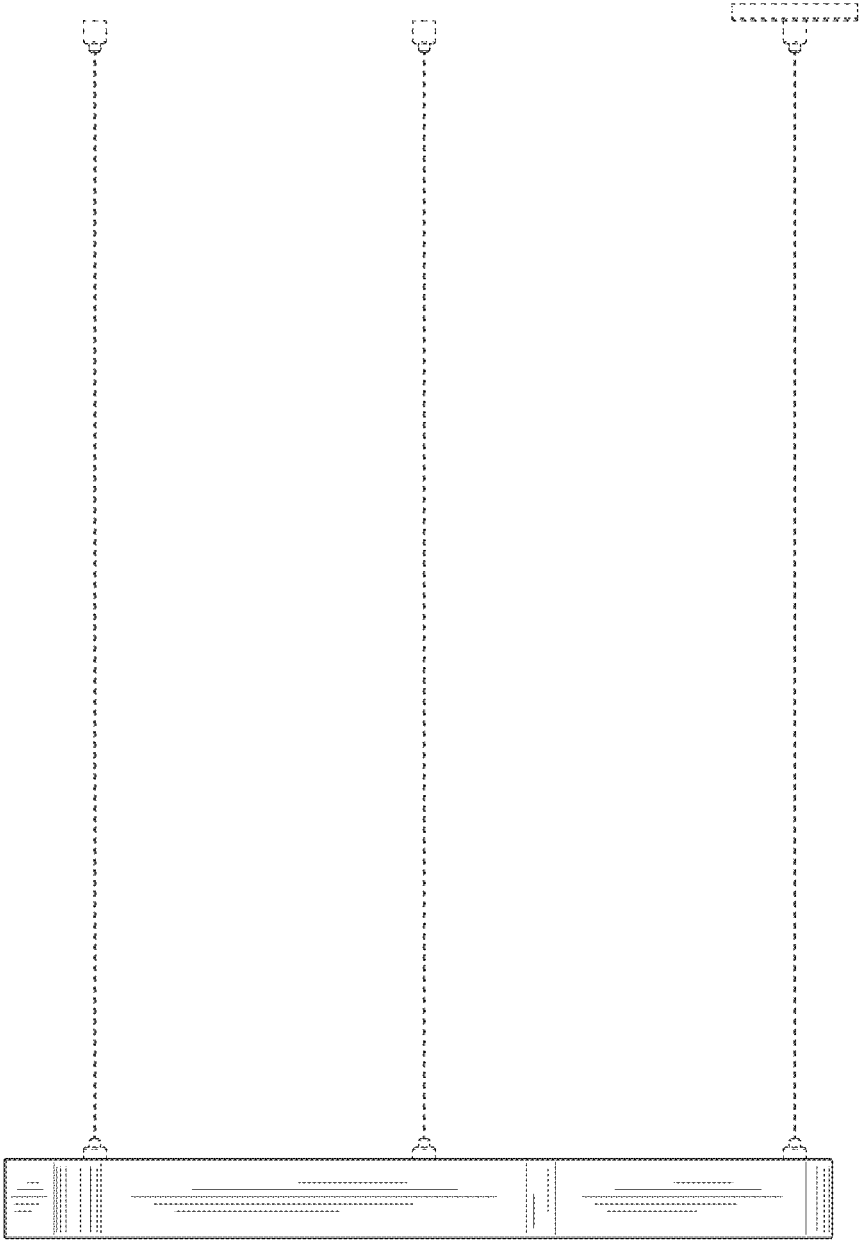


FIG. 13

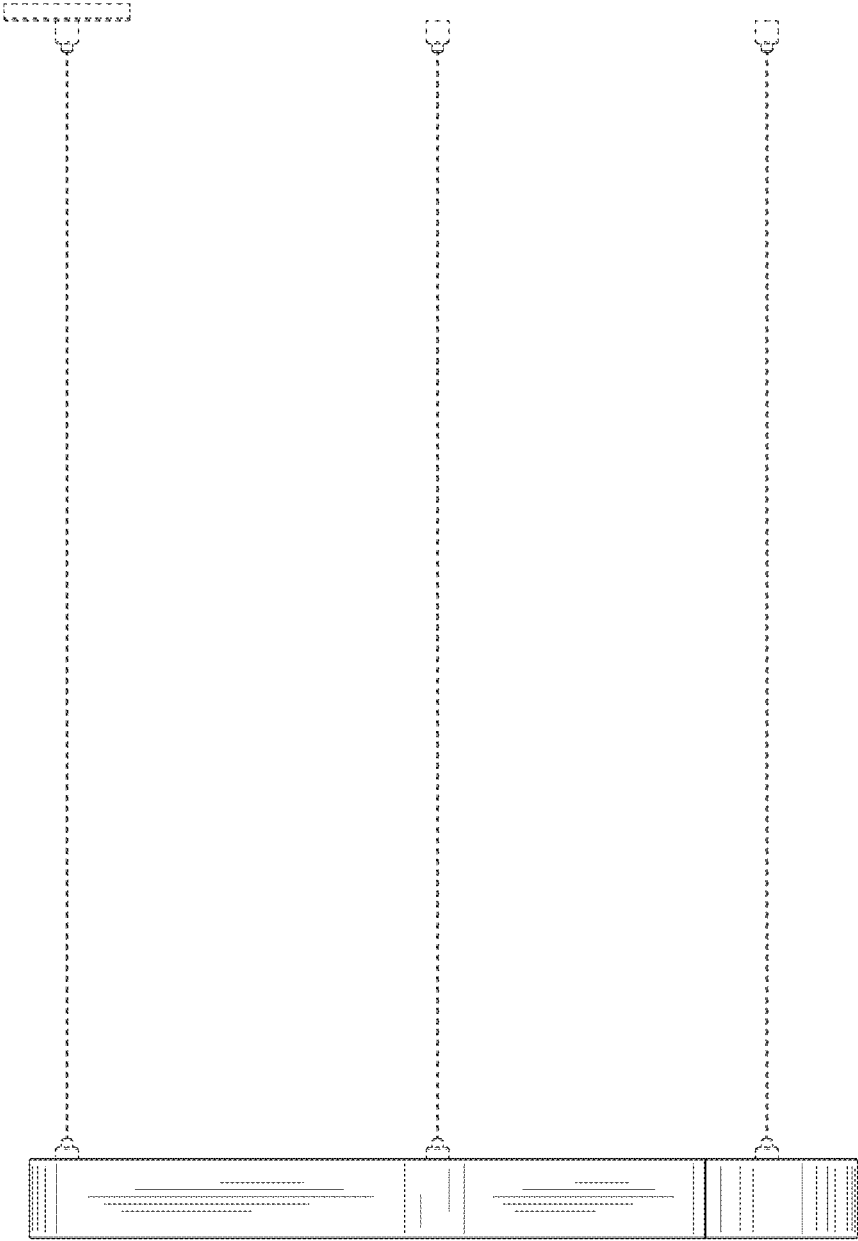


FIG. 14

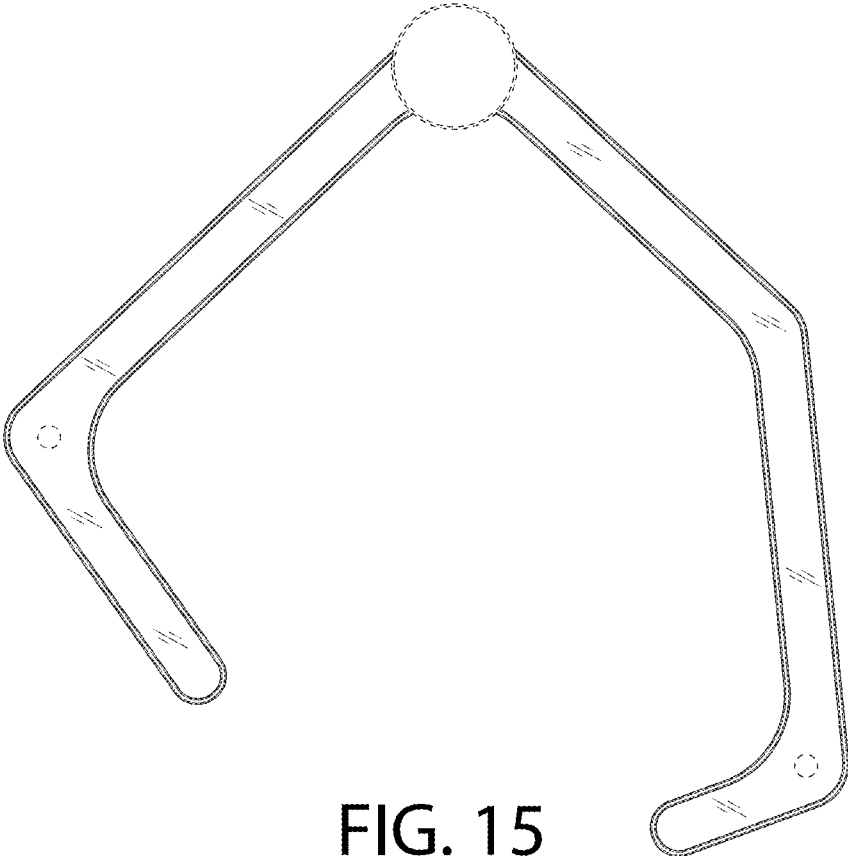


FIG. 15

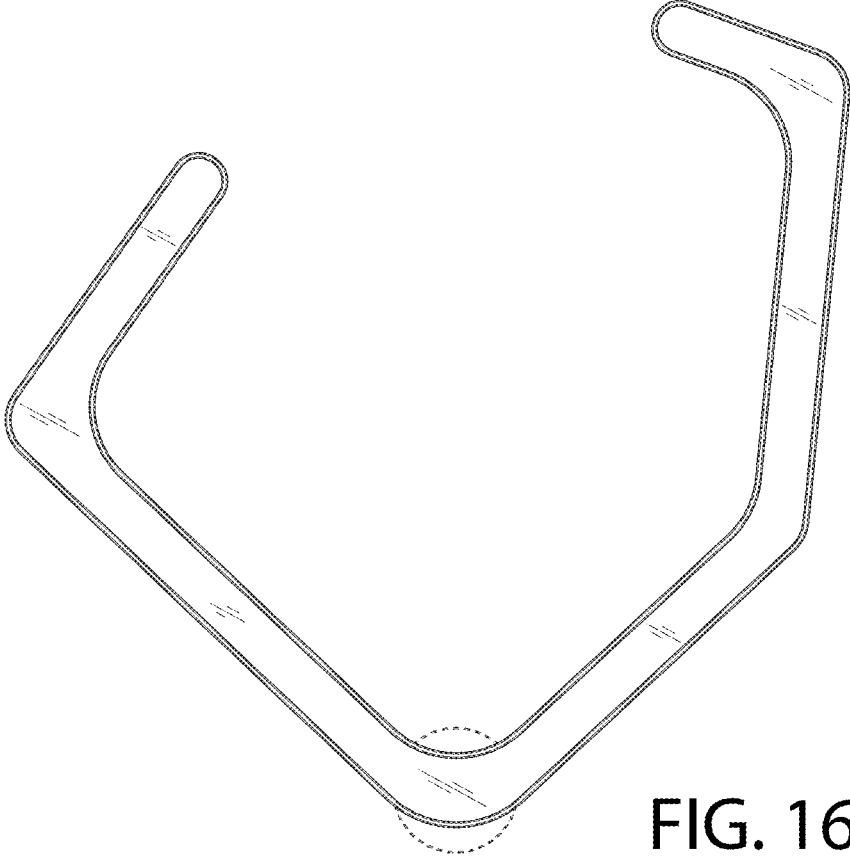


FIG. 16